



THE UK'S LEADING TOWING AND TOURING COMPANY

# Trailer Servicing, Parts & Accessories Catalogue



# Welcome....

This catalogue has essential trailer servicing parts, components and accessories; a one-stop shop for all trailer builders and service centres.

This catalogue includes technical specifications such as the latest dimensions and drawings for all products. We have listed our products in the order that they are positioned on the trailer, making it a useful tool when ordering parts for a trailer build or service.

## Trailer Servicing Parts

These products are compatible with major trailer manufacturers on the UK roads today. Many parts are OE original from leading manufacturers such as Knott and ALKO. The remainder are European sourced and are of an equivalent quality standard.

## Terms & Conditions

### Ordering

For all UK & Export orders contact our sales team by phone, email or fax.

Tel: +44 (0)121 270 4301

Email: [sales@maypoleltd.co.uk](mailto:sales@maypoleltd.co.uk)

Fax: +44 (0)121 423 3020

### UK Delivery Charges

Orders to the UK over £250 are carriage free. Orders under this amount will incur the following charges:

- 2-3 working days £8.95
- Next day £11.95 (*excluding Northern Ireland, Channel Islands & Highlands. Must be ordered before 12pm & 5 items or less.*)
- Standard Royal Mail postage £4.00

For orders to the Channel Islands, the minimum order value is £500, please call for a carriage quotation.

### Northern Ireland & Ireland Delivery Charges

Orders over £300 / €350 are carriage free. Orders to Ireland under £300 / €350 will incur a carriage charge of £18.95.

### Export Deliveries

All prices quoted are ex-works, quotations for delivery are available upon request.

### Payment Terms

Maypole Ltd are suppliers to the trade only. Orders can only be placed with us when a trade account has been opened, the value of the first order must be over £250.

*Information correct at time of print, but subject to change. Maypole reserve the right to withdraw, modify and improve products without notice.*

The range includes dampers manufactured by German company Stabilus, a world leading manufacturer of dampers and gas springs in the automotive market. These products are suitable for a range of ALKO and Knott trailers. We have expanded our range of bearings to include popular Sealed for Life and taper bearing sets, suitable for ALKO, Knott and Ifor Williams trailers.

Our new European manufactured aftermarket cables are suitable replacements for Knott detachable, ALKO detachable and Quick Connect. They are all long life detachable Bowden cables with PVC coated internal cable to reduce rust and damage.

### The Maypole Team

Payments for goods is due no later than 30 days after the delivery date or date of deemed delivery. Maypole reserve the right to close the account if the minimum annual spend of £1000 P.A has not been achieved. Title of goods remains with Maypole Ltd until paid for in full.

### Returns

While we constantly strive to deliver quality items, faulty goods with manufacturing defects can be returned to Maypole by contacting our returns team. Customers wishing to stock cleanse and return goods for other reasons must contact the sales team for authorisation first and then return at their own expense. A 20% handling charge will be deducted. Returns will only be accepted when a Maypole returns note has been completed stating reasons for the return.













Delivery shortages, invoice queries and damaged products MUST be reported within 3 working days of date of delivery.

### Maypole reserve the right to change prices and charges without prior notice.

Full terms and conditions can be found on the inside of the back cover of this catalogue.

Full Marketing support is available for images, text and technical information. Please email [marketing@maypoleltd.co.uk](mailto:marketing@maypoleltd.co.uk).

# Contents

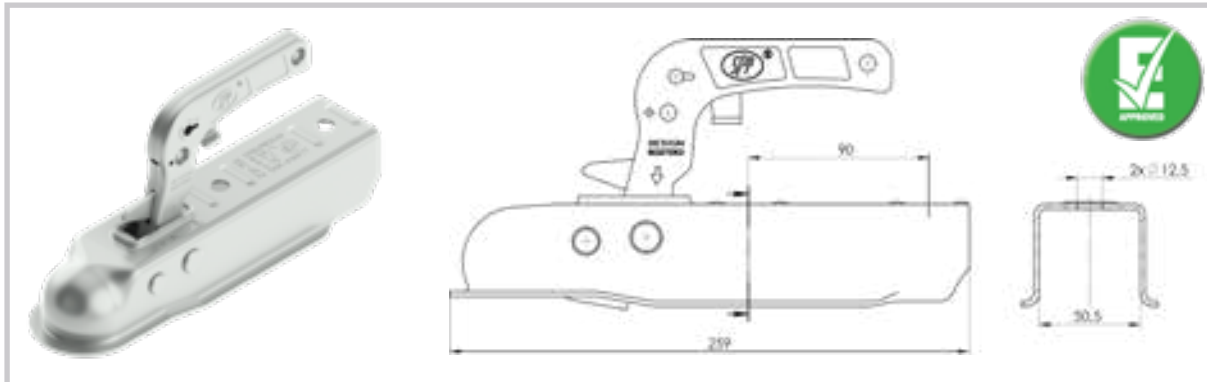
	<b>Couplings</b> Bellows, Dampers, Breakaway Cables, Secondary Couplings, Drawbar & Coupling Accessories	4 - 14
	<b>Jockey Wheels</b> Replacement Jockey Wheels, Prop Stands, Jacks and Jockey Wheel Clamps	15 - 31
	<b>Brakes</b> Brake Shoe Axle Sets, Brake Cables, Brake Parts	32 - 36
	<b>Bearings</b> Bearing Kits, Bearings, Hub Caps, Wheel Studs, Bolts and Nuts	37 - 41
	<b>Suspension Units</b>	42 - 44
	<b>Wheels &amp; Tyres</b>	45 - 46
	<b>Trailer Mudguards</b>	47 - 50
	<b>Trailer Fixture and Fittings</b> U-Bolts	51 - 57
	<b>Winches</b>	58 - 63
	<b>Boat Rollers</b> Launch Trolley Wheels	64 - 70
	<b>Trailers &amp; Accessories</b>	71 - 78
	<b>Trailer Security</b> Stronghold and Maypole hitchlocks and wheel clamps	79 - 88

*Product descriptions, images and text may change without prior notice.*

# Couplings

## For Unbraked Trailers

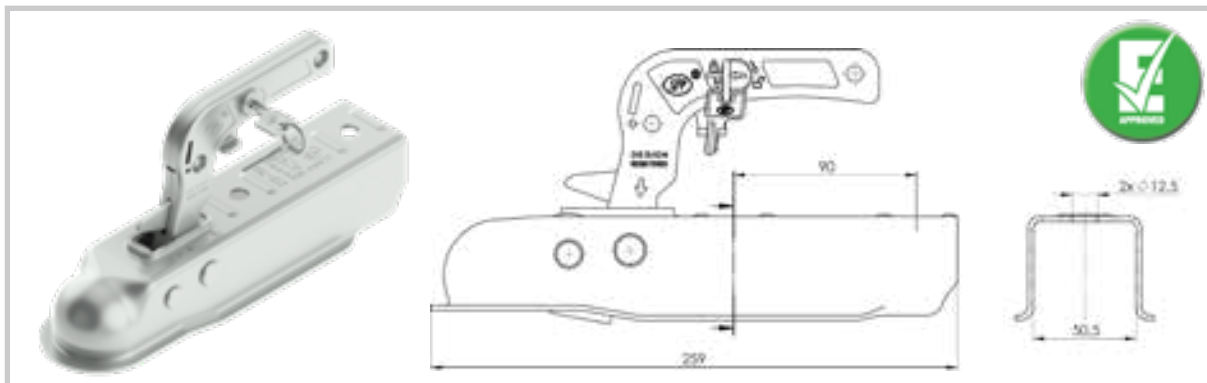
### PRESSED STEEL 50MM COUPLING



<b>For Drawbars</b>	50mm square tube
<b>Mounting Requirement</b>	2 x M12 bolts (min 8.8)
<b>Application</b>	unbraked trailers, 750kg max
<b>Code (Each)</b>	<b>MP80</b>

- The most widely used unbraked coupling type on the market
- Suitable for use as a replacement for: **Knott KQ7K, AL-KO AK7D, Ifor Williams P00355, Maypole unbraked trailers with 50mm drawbar**
- Pressed steel construction, zinc plated finish
- 90mm mounting hole centres in top surface
- R55 approved (D7.2, S75)
- With wear and correct attachment indicator
- Supplied without lock. Suitable for use with optional lock *MP478B*
- Can be fitted with soft dock *MP1940*

### PRESSED STEEL 50MM COUPLING WITH INTEGRAL LOCK

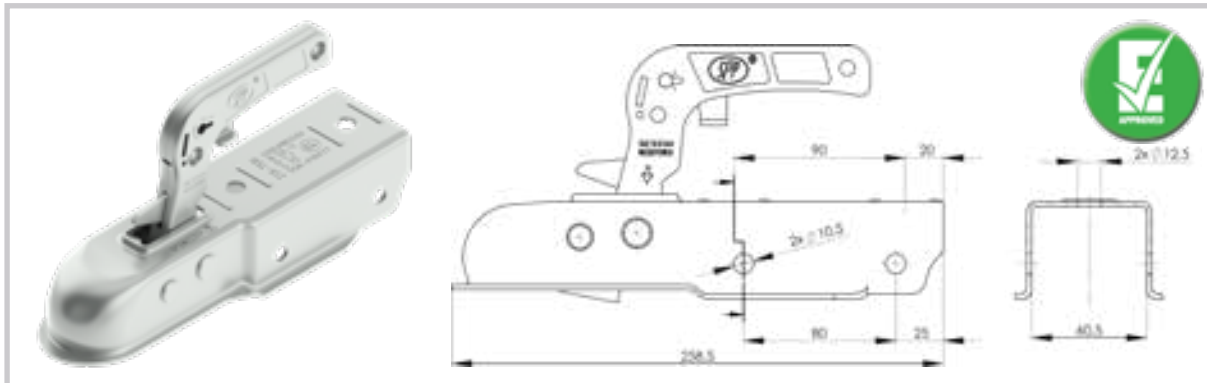


<b>For Drawbars</b>	50mm square tube
<b>Mounting Requirement</b>	2 x M12 bolts (min 8.8)
<b>Application</b>	unbraked trailers, 750kg max
<b>Code (Each)</b>	<b>MP80L</b>

- Suitable for use as a replacement for: **Knott KQ7K, AL-KO AK7D, Ifor Williams P00355, Maypole unbraked trailers with 50mm drawbar**
- Pressed steel construction, zinc plated finish
- 90mm mounting hole centres in top surface
- R55 approved (D7.2, S75)
- With wear and correct attachment indicator
- Supplied with integral lock and 2 keys
- Can be fitted with soft dock *MP1940*

# Couplings

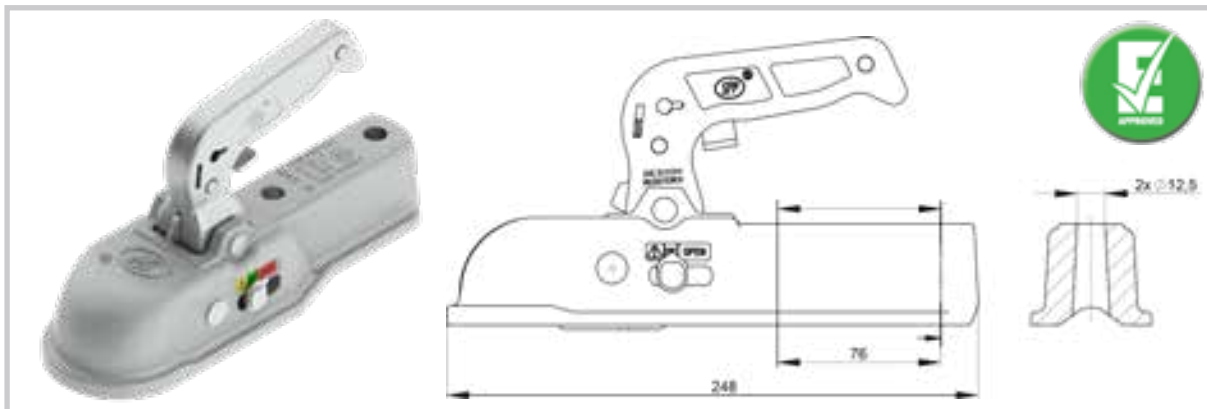
## PRESSED STEEL 60MM COUPLING



<b>For Drawbars</b>	60mm square tube
<b>Mounting Requirement</b>	2 x M12 bolts (min 8.8)
<b>Application</b>	unbraked trailers, 750kg max
<b>Code (Each)</b>	<b>MP71503</b>

- Suitable for use as a replacement for: **Knott KQ7L, AL-KO AK7E, Maypole trailers with 60mm drawbar**
- Pressed steel construction, zinc plated finish
- Mounting holes in the top and side surfaces
- R55 approved (D7.2, S75)
- With wear and correct attachment indicator
- Supplied without lock. Suitable for use with optional lock *MP478B*
- Can be fitted with soft dock *MP1940*

## HEAVY DUTY CAST STEEL 50MM COUPLING



<b>For Drawbars</b>	Min 50mm square tube
<b>Mounting Requirement</b>	2 x M12 bolts (min 8.8)
<b>Application</b>	Max <b>750kg</b> (highway use) and <b>1200kg</b> (non-highway use)
<b>Code (Each)</b>	<b>MP202</b>

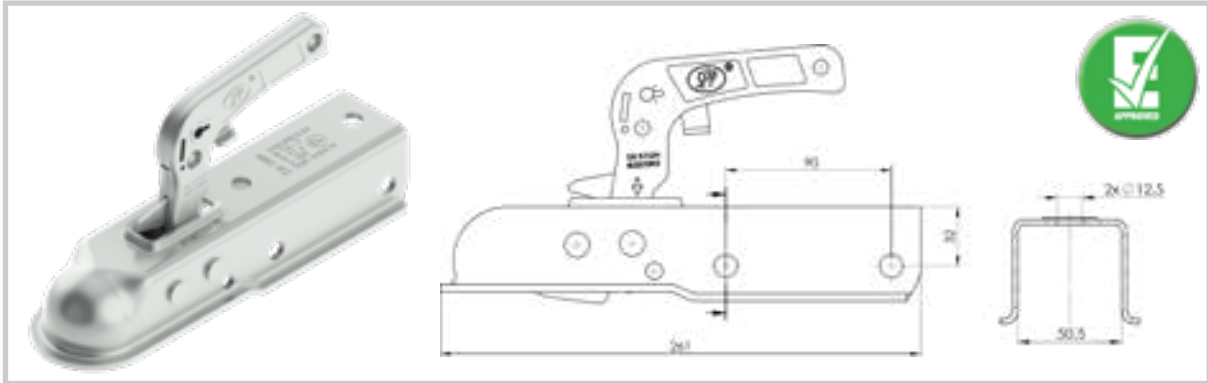
- Ideal for applications where a heavy duty unbraked coupling is required
- Suitable for use as an alternative for: **Bradley D201, Knott BQ27, Indespension CP004 & CP240**
- Heavy duty cast steel construction with reinforced pressed steel handle, zinc plated finish
- 76mm mounting hole centres in top surface
- R55 approved (D11.3, S120)
- With colour-coded wear and correct attachment indicator
- Supplied without lock. Suitable for use with optional lock *MP478B*
- Can be fitted with soft dock *MP19405*



# Couplings

## For Braked Trailers

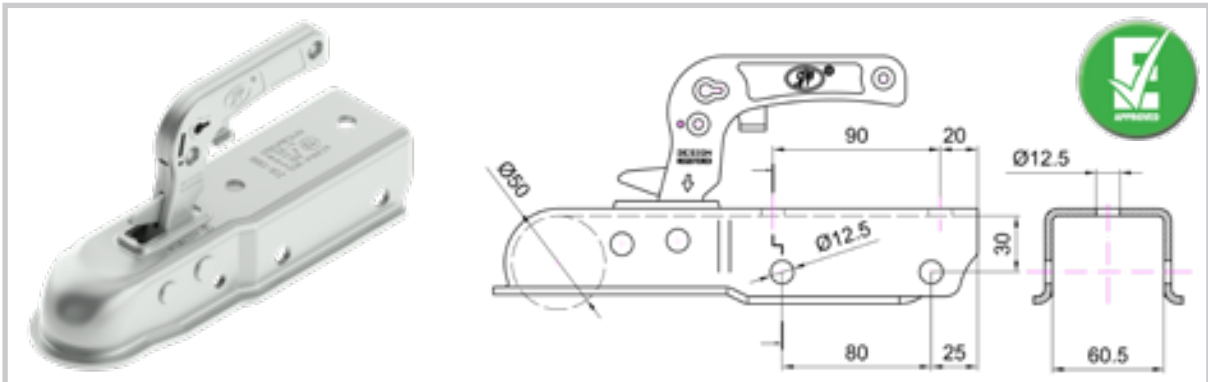
### 1300KG PRESSED STEEL 50MM COUPLING



<b>For Drawbars</b>	50mm square tube
<b>Mounting Requirement</b>	2 x M12 bolts (min 8.8)
<b>Application</b>	up to 1300kg
<b>Code (Each)</b>	<b>MP1923</b>

- Suitable for use as a replacement for: **Knott KQ14AVN2L**
- Reinforced pressed steel construction, zinc plated finish
- Mounting holes in the side and top
- R55 approved (D12.3, S100)
- With wear and correct attachment indicator
- Supplied without lock. Suitable for use with optional lock *MP478B*
- Can be fitted with soft dock *MP1940*

### 1300KG PRESSED STEEL 60MM COUPLING

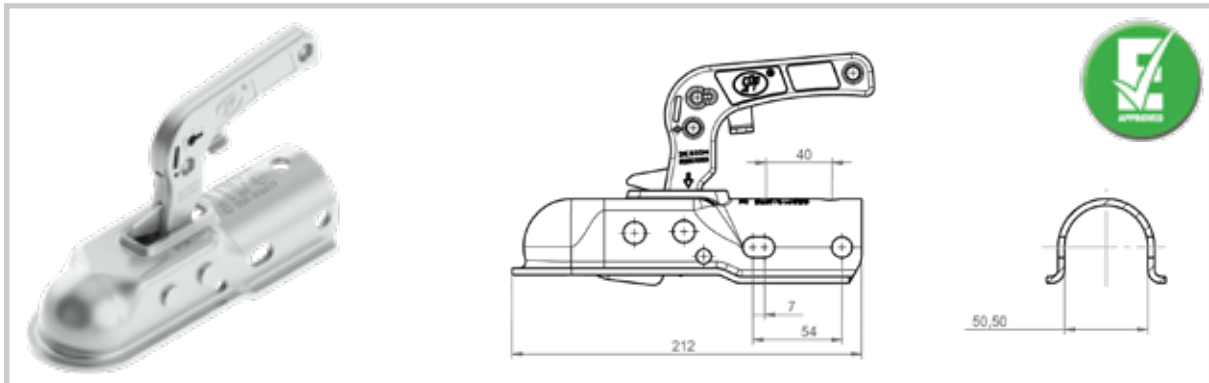


<b>For Drawbars</b>	60mm square tube
<b>Mounting Requirement</b>	2 x M12 bolts (min 8.8)
<b>Application</b>	up to 1300kg
<b>Code (Each)</b>	<b>MP1925</b>

- Suitable for use as a replacement for: **Knott KQ14BHN2L**
- Reinforced pressed steel construction, zinc plated finish
- Mounting holes in the side and top
- R55 approved (D12.3, S100)
- With wear and correct attachment indicator
- Supplied without lock. Suitable for use with optional lock *MP478B*
- Can be fitted with soft dock *MP1940*

# Couplings

## UNIVERSAL 1300KG PRESSED STEEL 35-50MM COUPLING KIT

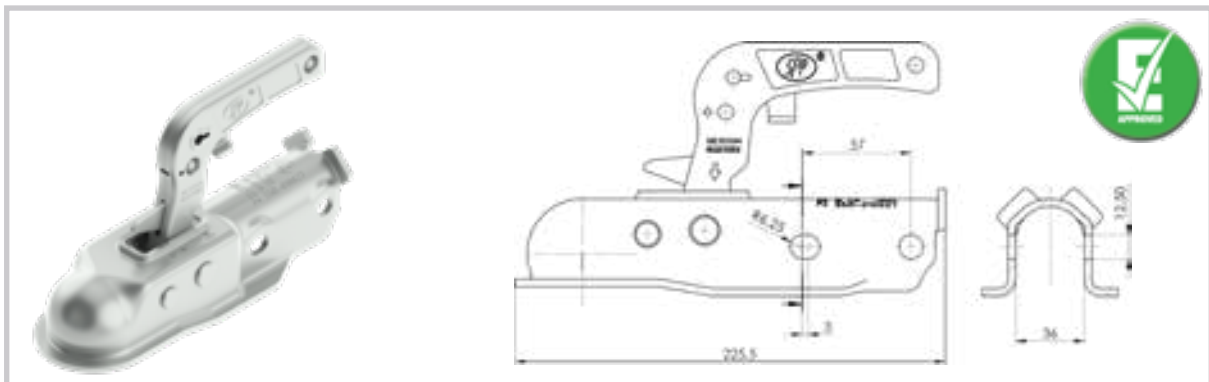


<b>For Drawbars</b>	35, 40, 45 & 50mm round tubes
<b>Mounting Requirement</b>	2 x M12 bolts (min 8.8)
<b>Application</b>	up to <b>1300kg</b>
<b>Code (Each)</b>	<b>MP1927</b>

- Universal replacement over-run coupling head kit for models including: **Knott 575001**
- Reinforced pressed steel construction, zinc plated finish
- Mounting holes in the side and top
- Supplied with 35/40/45mm drawbar adaptors, 2 x M12 x 80mm mounting bolts, lock nuts and washers
- R55 approved (D12.3, S100)
- With wear and correct attachment indicator
- Supplied without lock. Suitable for use with optional lock *MP478B*
- Can be fitted with soft dock *MP1940*



## 1700KG PRESSED STEEL 35MM COUPLING

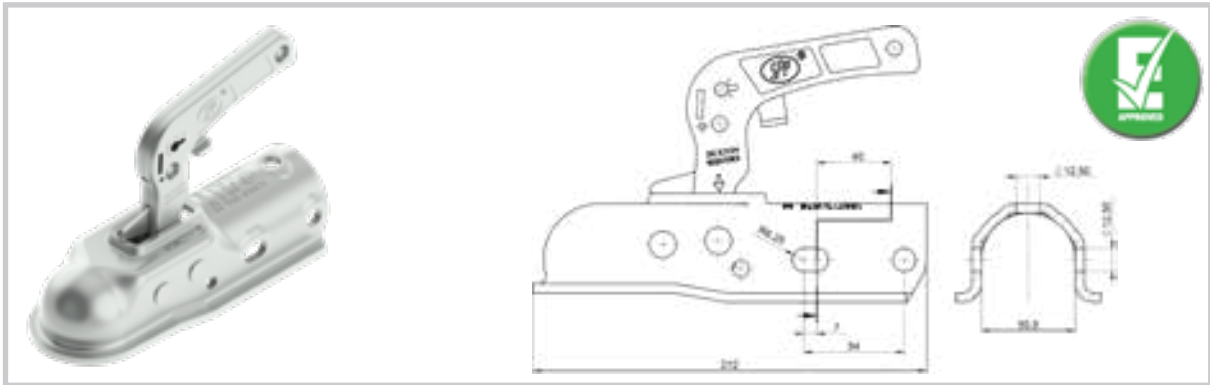


<b>For Drawbars</b>	35mm round tube
<b>Mounting Requirement</b>	2 x M12 bolts (min 10.9)
<b>Application</b>	up to <b>1700kg</b>
<b>Code (Each)</b>	<b>MP1943</b>

- Suitable for use as a replacement for: **AL-KO AK160A**
- Heavy duty pressed steel construction, zinc plated finish
- 54-57mm mounting holes in the side
- R55 approved (D15.8, S100)
- With wear and correct attachment indicator
- Supplied without lock. Suitable for use with optional lock *MP478B*
- Can be fitted with soft dock *MP1940*

# Couplings

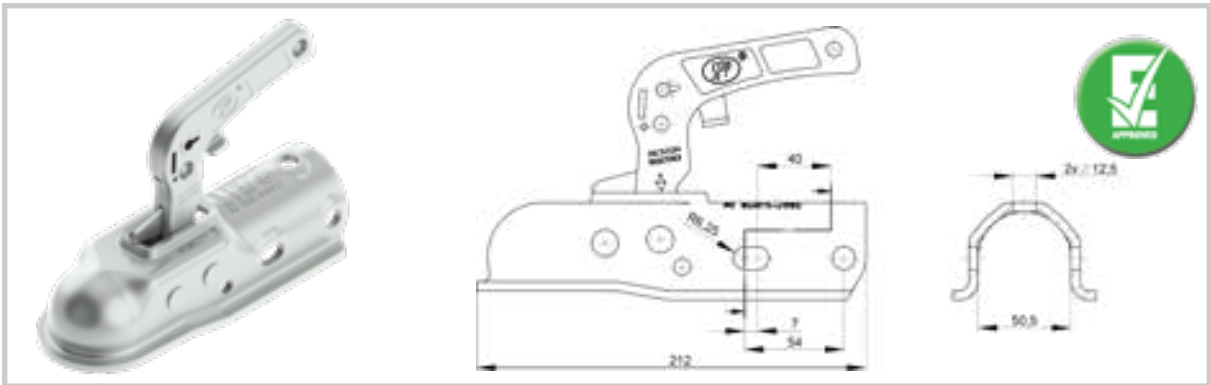
## 1700KG PRESSED STEEL 50MM COUPLING



<b>For Drawbars</b>	50mm round tube
<b>Mounting Requirement</b>	2 x M12 bolts (min 10.9)
<b>Application</b>	up to 1700kg
<b>Code (Each)</b>	<b>MP1945</b>

- Suitable for use as a replacement for: **AL-KO AK160B**
- Heavy duty pressed steel construction, zinc plated finish
- Mounting holes in the side and top
- R55 approved (D15.8, S100)
- With wear and correct attachment indicator
- Supplied without lock. Suitable for use with *MP478B*
- Can be fitted with soft dock *MP1940*

## UNIVERSAL 2000KG PRESSED STEEL 50MM COUPLING KIT



<b>For Drawbars</b>	35, 40, 45 & 50mm round tubes
<b>Mounting Requirement</b>	2 x M12 bolts (min 10.9)
<b>Application</b>	up to 2000kg
<b>Code (Each)</b>	<b>MP1993</b>

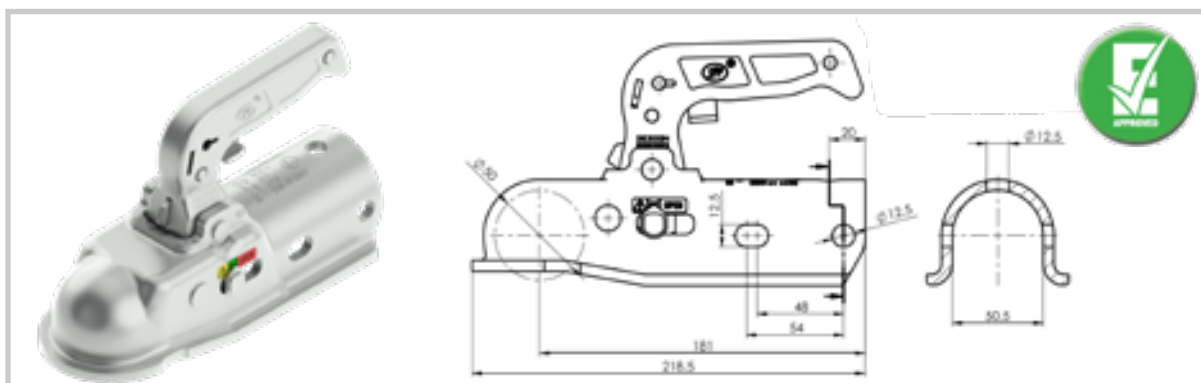
- Universal replacement over-run coupling head kit, for models including: **Knott K20A / K20B (575002), ALBE EM150A / EM150B, AL-KO AK160A / AK160B**
- Heavy duty pressed steel construction, zinc plated finish
- Mounting holes in the side and top surfaces
- Supplied with 35/40/45mm drawbar adaptors, 2 x M12 x 80mm mounting bolts, lock nuts and washers
- R55 approved (D18.5, S100)
- With colour-coded wear and correct attachment indicator
- Supplied without lock. Suitable for use with optional lock *MP478B*
- Can be fitted with soft dock *MP1940*





# Couplings

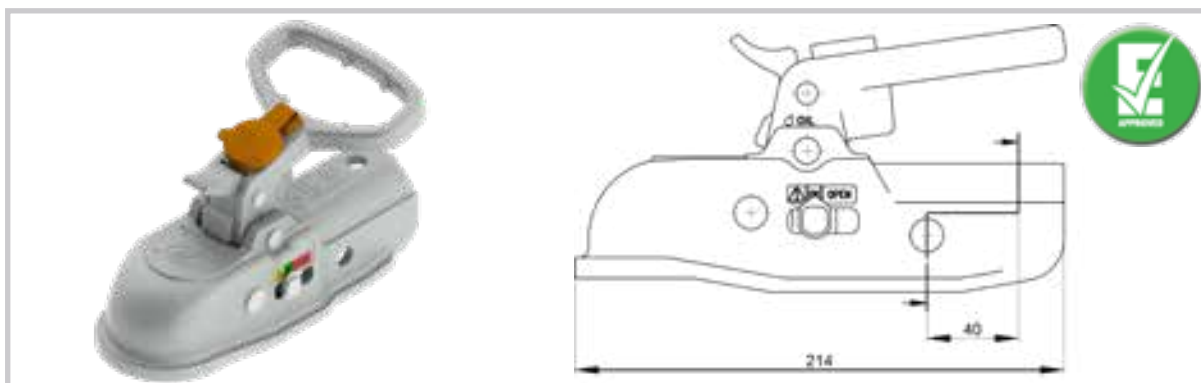
## 3000KG HEAVY DUTY PRESSED STEEL 50MM COUPLING



<b>For Drawbars</b>	50mm round tube
<b>Mounting Requirement</b>	2 x M12 bolts (min 10.9)
<b>Application</b>	up to 3000kg
<b>Code (Each)</b>	<b>MP1995</b>

- Suitable for use as a replacement for: **AL-KO AK300, Ifor Williams P0528**
- Can be used as an alternative for **Knott Avonride 575003, Ifor Williams PO0301**
- Heavy duty pressed steel construction, zinc plated finish
- Mounting holes in the side and top surfaces
- R55 approved (D27, S150)
- With wear and correct attachment indicator
- Supplied without lock. Suitable for use with **MP478B**
- Can be fitted with soft dock **MP1940**

## UNIVERSAL 3000KG HEAVY DUTY CAST STEEL 45-50MM COUPLING KIT



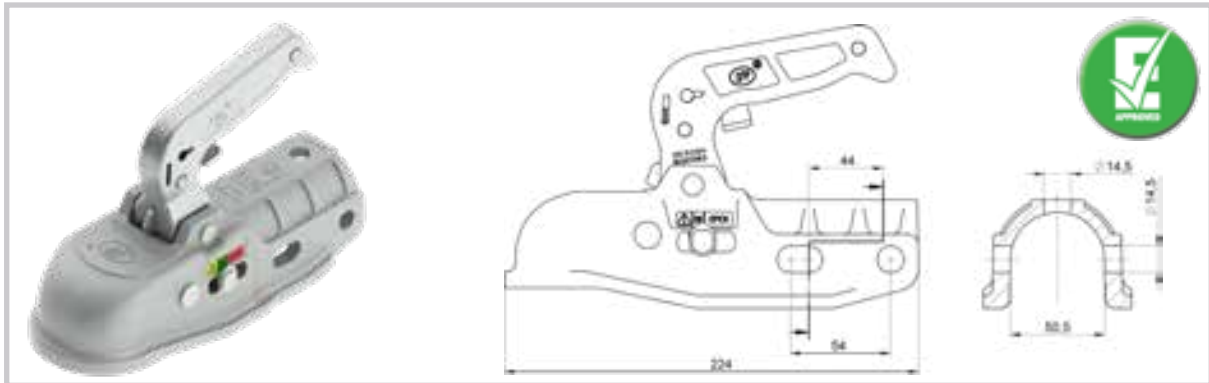
<b>For Drawbars</b>	45-50mm round tube
<b>Mounting Requirement</b>	M12 bolts as required (min 10.9)
<b>Application</b>	up to 3000kg
<b>Code (Each)</b>	<b>MP2030</b>

- Universal replacement over-run coupling head kit, for models including: **Knott Avonride 575003, KF27A, KFG27 Ifor Williams PO0301**
- Heavy duty cast steel construction with cast ring handle, zinc plated finish
- Mounting holes in the side and top surfaces
- Supplied with 45mm drawbar adaptor, 2 x M12 x 80mm mounting bolts, lock nuts and washers
- R55 approved (D27, S150)
- With colour-coded wear and correct attachment indicator
- Supplied without lock. Suitable for use with **MP201L**
- Can be fitted with soft dock **MP19405**



# Couplings

## HEAVY DUTY CAST STEEL 50MM COUPLING



<b>For Drawbars</b>	50mm round tube
<b>Mounting Requirement</b>	2 x M14 bolts (min 10.9)
<b>Application</b>	up to 3000kg
<b>Code (Each)</b>	<b>MP2031</b>

- Suitable for use as a replacement for: **AL-KO AK301**
- Heavy duty cast steel construction with pressed steel handle, zinc plated finish
- Mounting holes in the side and top
- R55 approved (D27, S150)
- With colour-coded wear and correct attachment indicator
- Supplied without lock. Suitable for use with **MP478B**
- Can be fitted with soft dock **MP19405**

**Don't get caught out! Keep the trailer secure from thieves.**

**We offer an excellent range of Stronghold and Maypole security products suitable for a wide variety of trailers and couplings.**

**Please visit page 79 to view our wheel clamps and hitch locks.**

# Bellows

## Bellows

Vented bellows allow air and water to be forced out on compression when the brakes are applied. During a trailer inspection check the condition of the bellow for splits and tears and replace if damaged.

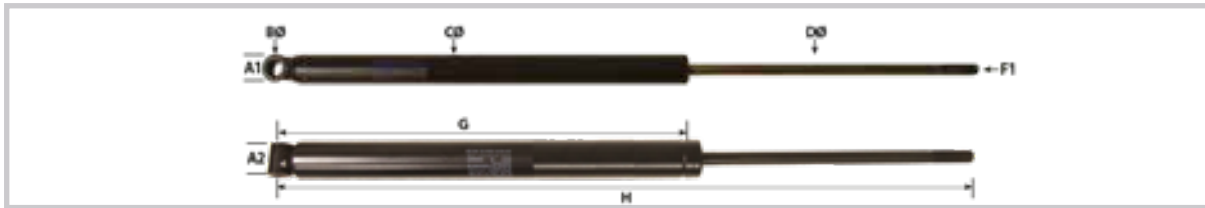
			Folds	Length (mm)	Application	Code
			5	120	<b>UNIVERSAL</b> vented bellows, without bolt cover.	<b>MP2039B</b>
			3	135	Bellows with bolt cover for <b>KNOTT KF7.5-27 &amp; KRV13-30</b>	<b>MP2035B</b>
			5	110	Vented bellows without bolt cover for <b>KNOTT KFG-13-KFG30</b> couplings	<b>MP2038B</b>
			5	120	Bellows without bolt cover for <b>KNOTT KFG35 TOWING EYE</b> couplings	<b>MP2037B</b>
			3	80	Vented bellows without bolt cover for <b>ALKO AKS 2004/3004</b> couplings	<b>MP2032B</b>
			3	125	Vented bellows with bolt cover for <b>ALKO 161S / 251S</b> couplings	<b>MP2036B</b>
			4	100	Bellows for <b>BRADLEY Hydratow HU3 (H09-H26, EH09-EH27)</b> couplings	<b>MP2034B</b>

# Dampers

## Dampers

### FOR KNOTT APPLICATIONS

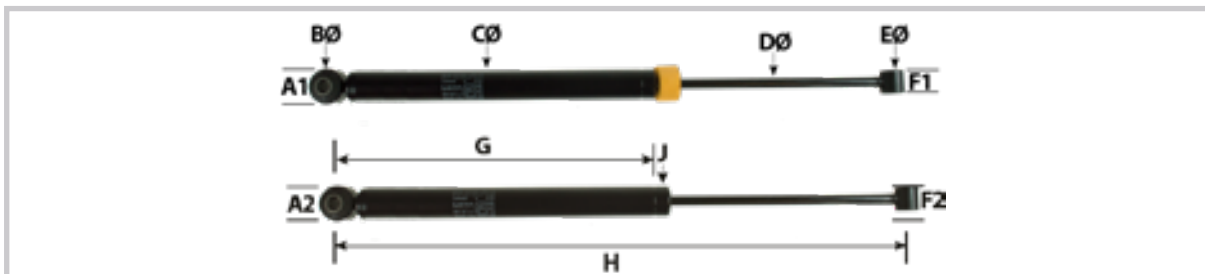
STABILUS



Dimensions (mm)												
Applications	A1	A2	B	C	D	E	F1	F2	G	H	J	Code (each)
KF/KRV/KFG 13	18	24	12	29	10	-	M10	-	320	530	-	MP1901B
KF/KRV/KFG 20	26	24	12	29	10	-	M10	-	325	530	-	MP1902B
KF27A/KFG27 (12mm)	18	24	12	29	10	-	M10	-	320	530	-	MP1903B
KFG/KFGL/KRV 35	30	39	14	29	10	-	M10	-	355	590	-	MP1905B

### FOR ALKO APPLICATIONS

STABILUS



Dimensions (mm)												
Applications	A1	A2	B	C	D	E	F1	F2	G	H	J	Code (each)
60/90S with Side Spacer	28	24	10	24	8	12	18	18	260	450	-	MP2050B
60/90S without Side Spacer	28	24	10	24	8	12	18	18	260	450	-	MP2051B
161-SHORT (PRE 1998)	22	30	16	24	8	12	28	36	200	325	16	MP2052B
161-LONG (POST 1998)	18	54	12	24	8	12	28	36	380	510	18	MP2053B
251-SHORT	22	30	16	29	10	12	28	36	205	325	18	MP2054B
251-LONG	18	54	12	24	8	12	28	36	380	510	18	MP2055B

### FOR BRADLEY DOUBLELOCK APPLICATIONS

STABILUS



Dimensions (mm)												
Applications	A1	A2	B	C	D	E	F1	F2	G	H	J	Code (each)
HU3HE (POST 1996)	28	24	12	24	10	12	18	14	340	495	-	MP2058B
HU12 3500KG	30	24	14	29	10	-	M10	-	240	390	-	MP2059B

Did you know? We only supply quality German over-run coupling dampers manufactured by STABILUS

# Breakaway Cables & Secondary Couplings

## Breakaway Cables

A breakaway cable is a legal requirement for all braked trailers and caravans. In the event of coupling detachment it is designed to apply the handbrake of the towed vehicle before allowing it to break away and come to a stop.

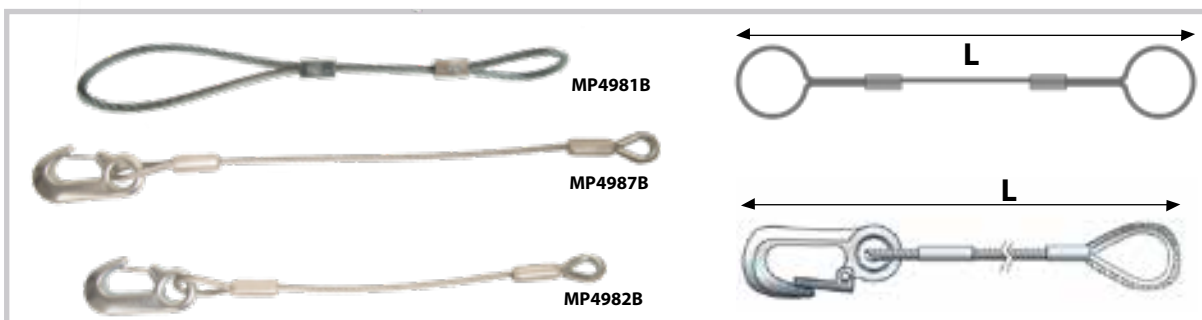


Length	Vehicle Fitting	Trailer Fitting	Cable Diameter	PVC Coating	Bulk Code (Each)	Bulk MOQ	Display Pack Code
1m	Carabiner	Burst Ring	2mm	Red	<b>MP498B</b>	10	<b>MP498</b>
1m	Carabiner	Burst Ring	3mm	Red	<b>MP501B</b>	10	<b>MP501</b>
1m	Carabiner	Burst Ring	3mm	Yellow	<b>MP5015B</b>	10	<b>MP5015</b>
1m	Carabiner	Clevis*	3mm	Red	<b>MP502B</b>	10	<b>MP502</b>

\*suitable for Ifor Williams applications

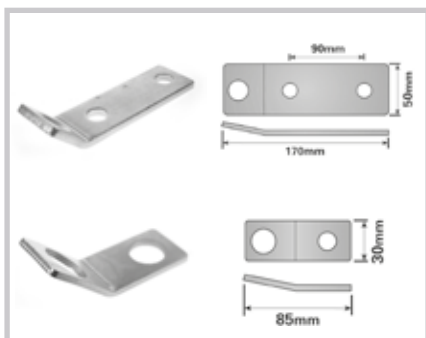
## Secondary Couplings

A secondary coupling is a legal requirement for all unbraked trailers. In the event of coupling detachment it is designed to keep the towed vehicle attached to the towing vehicle. Our secondary couplings are constructed from 5mm steel wire-ropes.



Length (L)	Vehicle Fitting	Trailer Fitting	Cable Diameter	Bulk Code (Each)	Display Pack Code
280mm	Towball loop	Loop	5mm	<b>MP4981B</b>	<b>MP4981</b>
400mm	Forged snap hook	Eyelet	5mm	<b>MP4982B</b>	<b>MP4982</b>
500mm	Forged snap hook	Eyelet	5mm	<b>MP4987B</b>	<b>MP4987</b>

## VEHICLE FIXING PLATES



Length (mm)	Width (mm)	Material Thickness (mm)	Mounting Holes	Cable Attachment Hole	Code (Each)
170	50	7.75	2 x 18mm	1 x 22mm	<b>MP4984B</b>
85	30	3.75	1 x 18mm	1 x 22mm	<b>MP4985B</b>

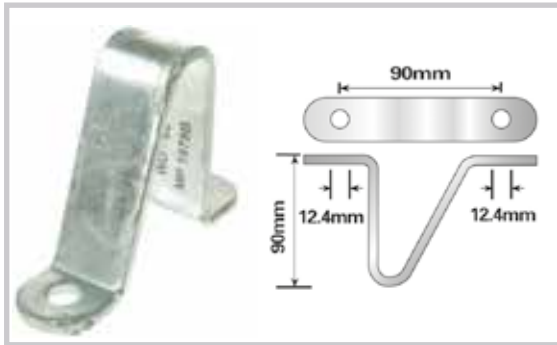
- Heavy duty steel brackets designed to give a secure cable attachment point
- Both fixing plates have a zinc finish
- Bolts behind the towball fixing bolt



# Drawbar & Coupling Accessories

## Drawbar & Coupling Accessories

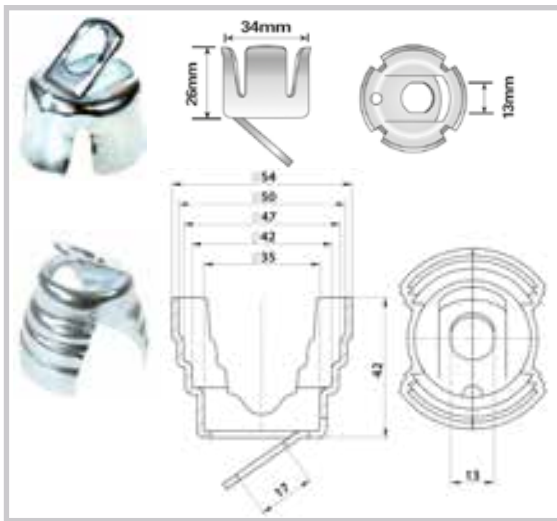
### COUPLING SKID



Application	Height (mm)	Mounting Holes (mm)	Code
Trailers with unbraked couplings	90	2 x 12.4mm	<b>MP1979B</b>

- Designed to prevent the coupling hitting the ground in the event of coupling detachment and when the trailer is not in use
- Skid is hot-dip galvanised for superior corrosion resistance

### PLUG KEEPERS



Application	Height (mm)	Mounting Holes (mm)	Code
7 pin N & S Plugs	26	12.4	<b>MP196B</b>
7, 13, 15 pin Plugs	41	12.4	<b>MP1965B</b>

- Plug keepers are bright zinc plated
- Suitable for mounting on the top of trailer couplings
- Designed to store plug and prevent damage when not in use

### 8/13 PIN ALIGNMENT CAP & PLUG KEEPER



Display Pack	Bulk Pack
<b>MP1280</b>	<b>MP1280B</b>

- A cap that ensures correct alignment of a 13 pin plug
- Ideal for when the trailer is in storage or parked
- Also protects against the weather
- Plug keeper
- Water tight gasket

### SOFT DOCKS



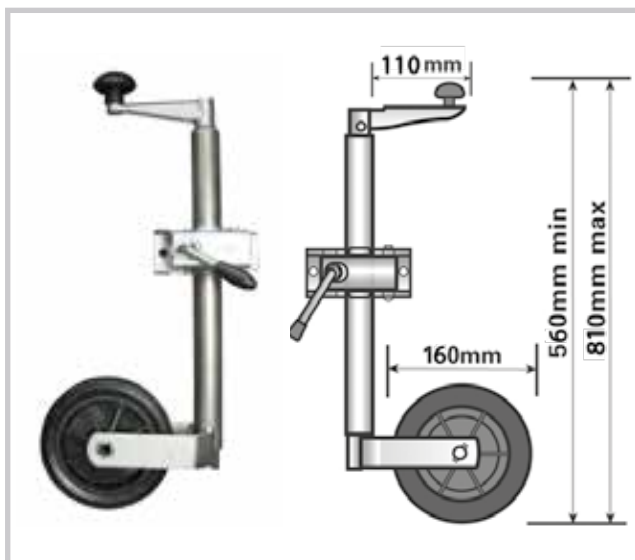
Application	Code
Fits Maypole Pressed Steel Couplings up to 3000kg	<b>MP1940</b>

- Easy to fit, pushes onto the front of the coupling head
- Soft rubber finish protects the towing vehicle from being scratched or dented by the coupling

# Jockey Wheels

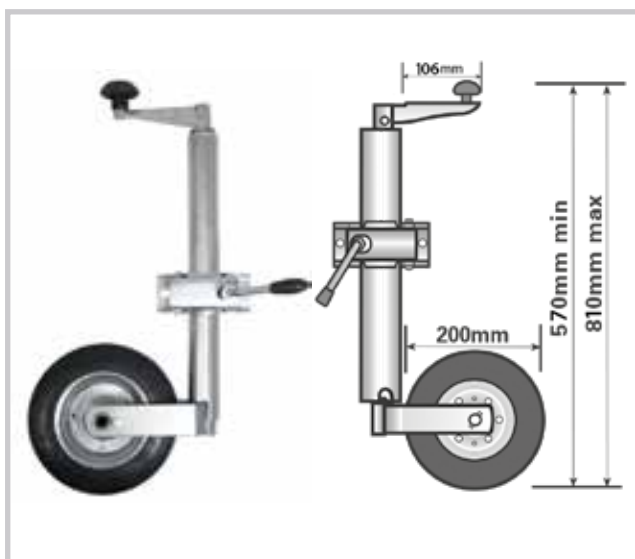
## Standard Duty Telescopic Jockey Wheels

### 34MM - STANDARD DUTY



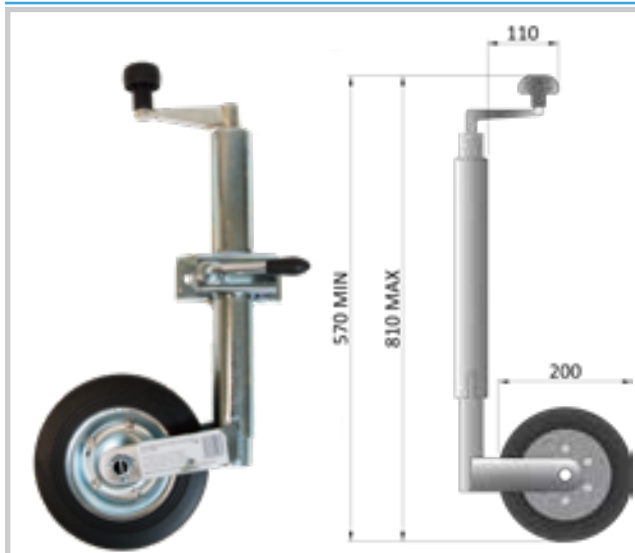
<b>Code</b>	<b>MP225</b>
<b>Outer Tube Diameter</b>	34mm
<b>Height Extension Range</b>	250mm
<b>Handle Extension</b>	110mm
<b>Tyre Size</b>	160 x 42mm
<b>Max. Static Load with Clamp</b>	75kg
<b>Box / Stillage Qty</b>	4 / 250
<ul style="list-style-type: none"> <li>■ Constructed for standard duty applications, up to 75kg static nose weight, such as small leisure trailers</li> <li>■ Cast steel handle</li> <li>■ Solid rubber tyre &amp; plastic rim</li> <li>■ Supplied with clamp</li> <li>■ Clear zinc plate finish</li> </ul>	
<b>Replacement Wheel</b>	MP226
<b>Replacement Clamp</b>	MP222

### 42MM - STANDARD DUTY



<b>Code</b>	<b>MP227</b>
<b>Outer Tube Diameter</b>	42mm
<b>Height Extension Range</b>	240mm
<b>Handle Extension</b>	106mm
<b>Tyre Size</b>	200 x 48mm
<b>Max. Static Load with Clamp</b>	100kg
<b>Box / Stillage Qty</b>	4 / 160
<ul style="list-style-type: none"> <li>■ Constructed for standard duty applications, up to 100kg static nose weight, such as small leisure trailers</li> <li>■ Cast steel handle</li> <li>■ Solid rubber tyre &amp; steel rim</li> <li>■ Supplied with clamp</li> <li>■ Clear zinc plate finish</li> </ul>	
<b>Replacement Wheel</b>	MP228
<b>Replacement Clamp</b>	MP427

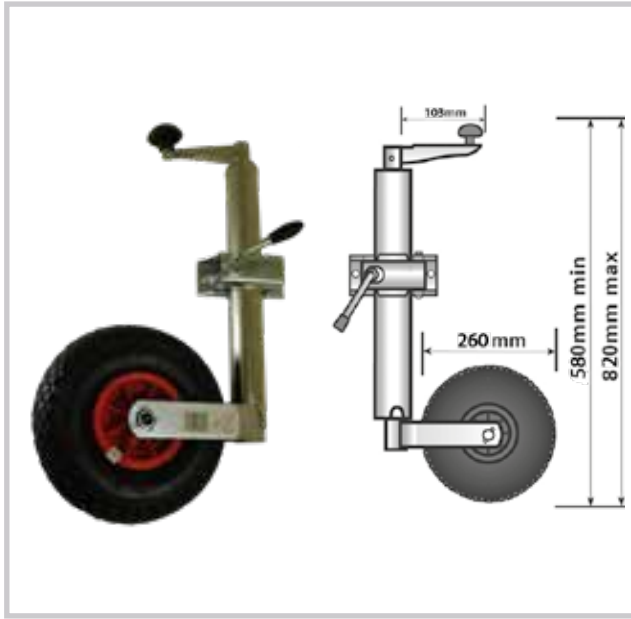
### 48MM - STANDARD DUTY



<b>Code</b>	<b>MP436</b>
<b>Outer Tube Diameter</b>	48mm
<b>Height Extension Range</b>	240mm
<b>Handle Extension</b>	103mm
<b>Tyre Size</b>	200 x 48mm
<b>Max. Static Load with Clamp</b>	100kg
<b>Box / Stillage Qty</b>	4 / 160
<ul style="list-style-type: none"> <li>■ Constructed for standard duty applications, up to 100kg static nose weight, such as small leisure trailers</li> <li>■ Cast steel handle</li> <li>■ Solid rubber tyre &amp; steel rim</li> <li>■ Supplied with clamp</li> <li>■ Clear zinc plate finish</li> </ul>	
<b>Replacement Wheel</b>	MP228
<b>Replacement Clamp</b>	MP424

# Jockey Wheels

## 48MM - STANDARD DUTY PNEUMATIC

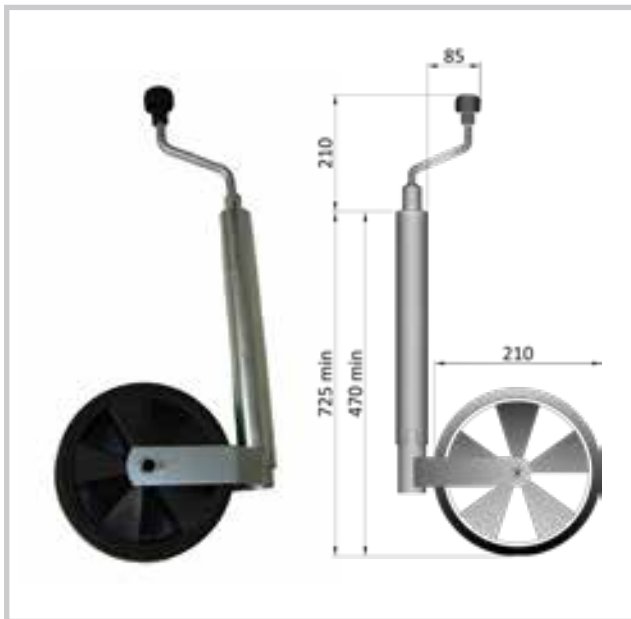


<b>Code</b>	<b>MP437</b>
<b>Outer Tube Diameter</b>	48mm
<b>Height Extension Range</b>	240mm
<b>Handle Extension</b>	110mm
<b>Tyre Size</b>	260 x 64mm
<b>Max. Static Load with Clamp</b>	100kg
<b>Box / Stillage Qty</b>	4 / 90

- Constructed for standard duty applications, up to 75kg static nose weight, such as caravans or boat trailers
- Cast steel handle
- Wide pneumatic tyre prevents sinkage into soft ground and is easy to use on gravel surfaces
- Supplied with clamp
- Clear zinc plate finish

<b>Replacement Wheel</b>	MP229
<b>Replacement Clamp</b>	MP424
<b>Retro-fit Flat-Free Wheel</b>	MP2295

## 48MM - STANDARD DUTY



<b>Code</b>	<b>MP9755</b>
<b>Outer Tube Diameter</b>	48mm
<b>Height Extension Range</b>	255mm
<b>Handle Extension</b>	85mm
<b>Tyre Size</b>	210 x 68mm
<b>Max. Static Load with Clamp</b>	100kg
<b>Box / Stillage Qty</b>	4 / 125

- Constructed for use with caravans up to 100kg static nose weight
- Short-reach wire handle gives unrestricted rotation close to the handbrake
- Wide solid plastic wheel prevents sinkage into soft ground
- Supplied without clamp
- Clear zinc plate finish

<b>Replacement Wheel</b>	MP97552
<b>Recommended Clamp</b>	MP424 (trailer only)



# Jockey Wheels

## Medium Duty Telescopic Jockey Wheels

### 42MM - MEDIUM DUTY

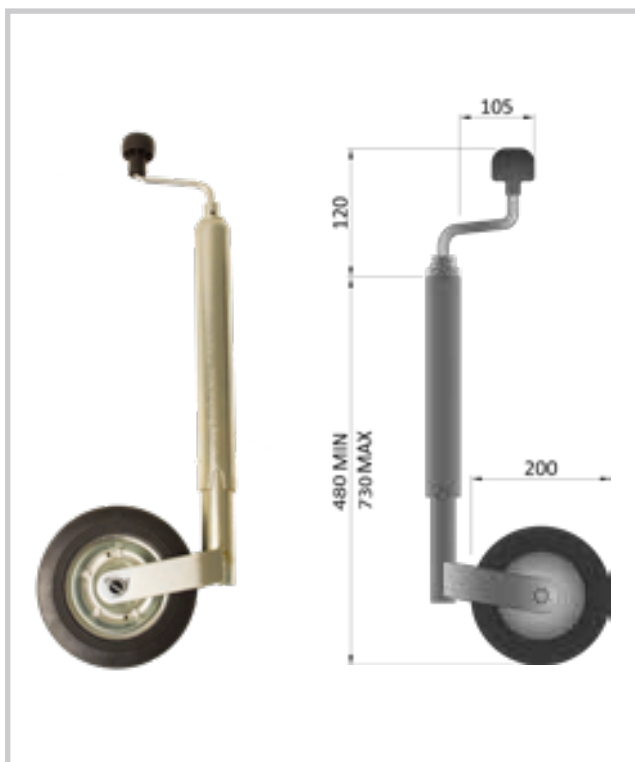


<b>Code</b>	<b>MP2275</b>
<b>Outer Tube Diameter</b>	42mm
<b>Height Extension Range</b>	240mm
<b>Handle Extension</b>	95mm
<b>Tyre Size</b>	200 x 48mm
<b>Max. Static Load with Clamp</b>	150kg
<b>Box / Stillage Qty</b>	4 / 170

- Constructed for medium duty trailer applications up to 150kg static nose weight
- Short-reach wire handle gives unrestricted rotation close to the handbrake
- Ball race handle bearing provides smooth and easy rotation
- When fully retracted the outer tube engages with the wheel forks to prevent rotation
- Solid rubber tyre & steel rim
- Supplied without clamp
- Clear zinc plate finish

<b>Replacement Wheel</b>	MP228
<b>Recommended Clamp</b>	MP224

### 48MM - MEDIUM DUTY



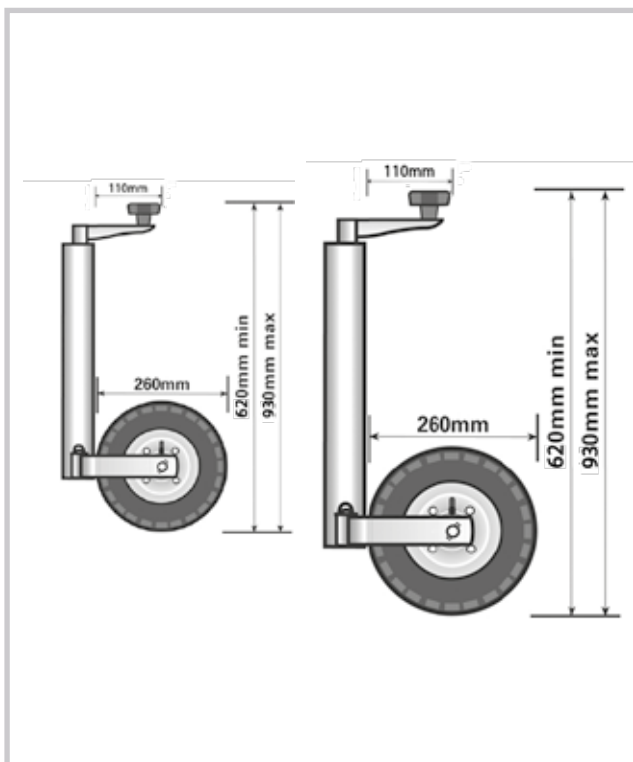
<b>Code</b>	<b>MP4365</b>
<b>Outer Tube Diameter</b>	48mm
<b>Height Extension Range</b>	250mm
<b>Handle Extension</b>	105mm
<b>Tyre Size</b>	200 x 48mm
<b>Max. Static Load with Clamp</b>	150kg
<b>Box / Stillage Qty</b>	4 / 160

- Constructed for medium duty trailer applications up to 150kg static nose weight
- Ball race handle bearing provides smooth and easy rotation
- Solid rubber tyre & steel rim
- Supplied without clamp
- Clear zinc plate finish

<b>Replacement Wheel</b>	MP228
<b>Recommended Clamp</b>	MP8121

# Jockey Wheels

## 48MM - MEDIUM DUTY PNEUMATIC



<b>Code</b>	<b>MP4375</b>
<b>Outer Tube Diameter</b>	48mm
<b>Height Extension Range</b>	310mm
<b>Handle Extension</b>	110mm
<b>Tyre Size</b>	260 x 77mm
<b>Max. Static Load with Clamp</b>	150kg
<b>Box / Stillage Qty</b>	4 / 90

- Constructed for medium duty trailers & caravans up to 150kg static nose weight
- Cast steel handle
- When fully retracted the outer tube engages with the wheel forks to prevent rotation
- Wide pneumatic tyre with steel rim prevents sinkage into soft ground
- Supplied without clamp
- Clear zinc plate finish

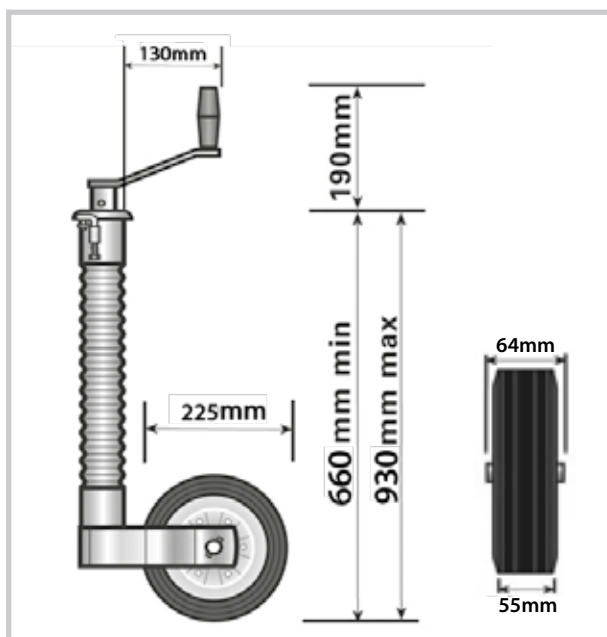
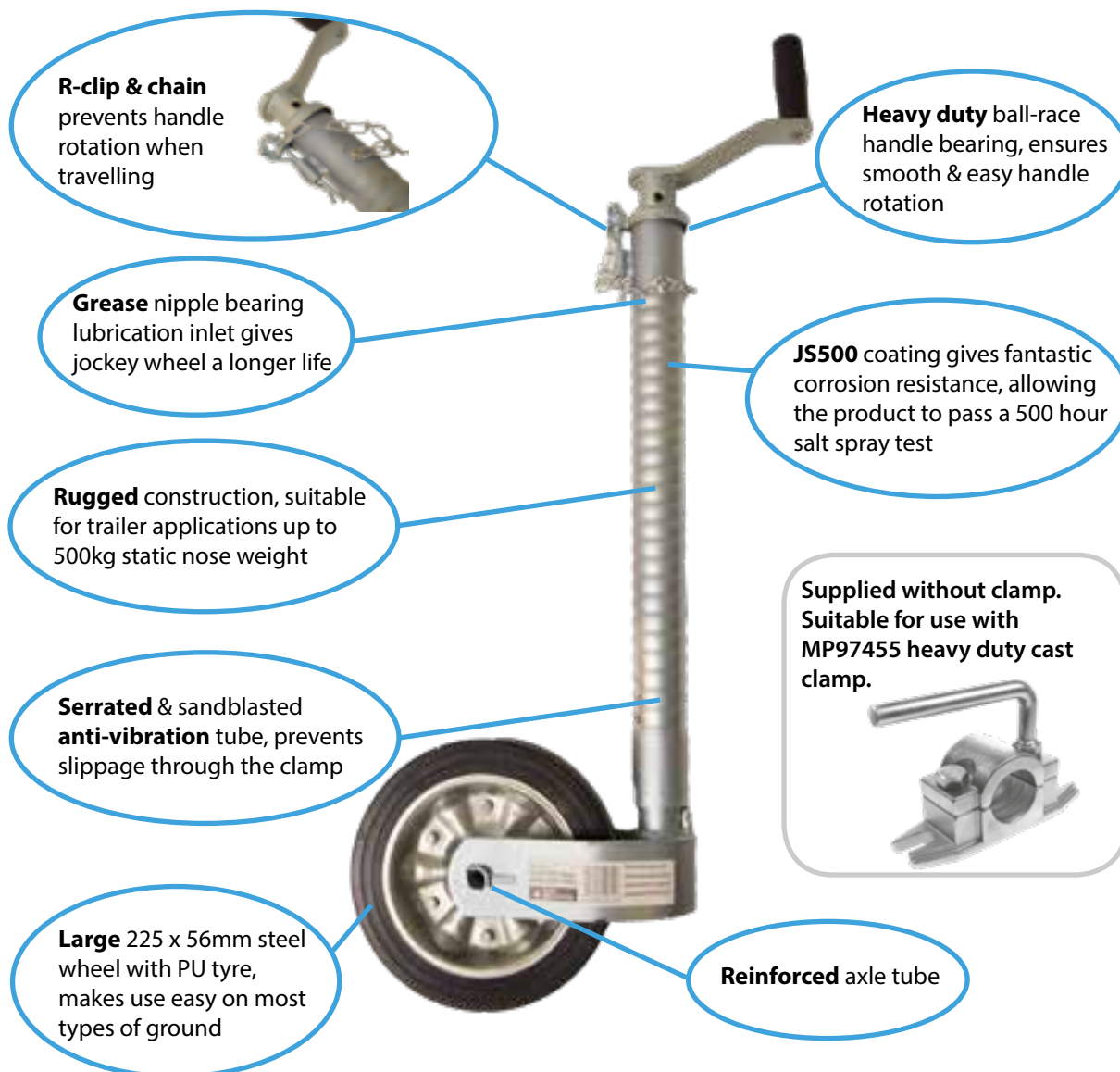
<b>Replacement Wheel</b>	MP2291
<b>Replacement Clamp</b>	MP8121





# Premium Heavy Duty Telescopic Jockey Wheels

## 48MM - HEAVY DUTY RIBBED TELESCOPIC



### Specification

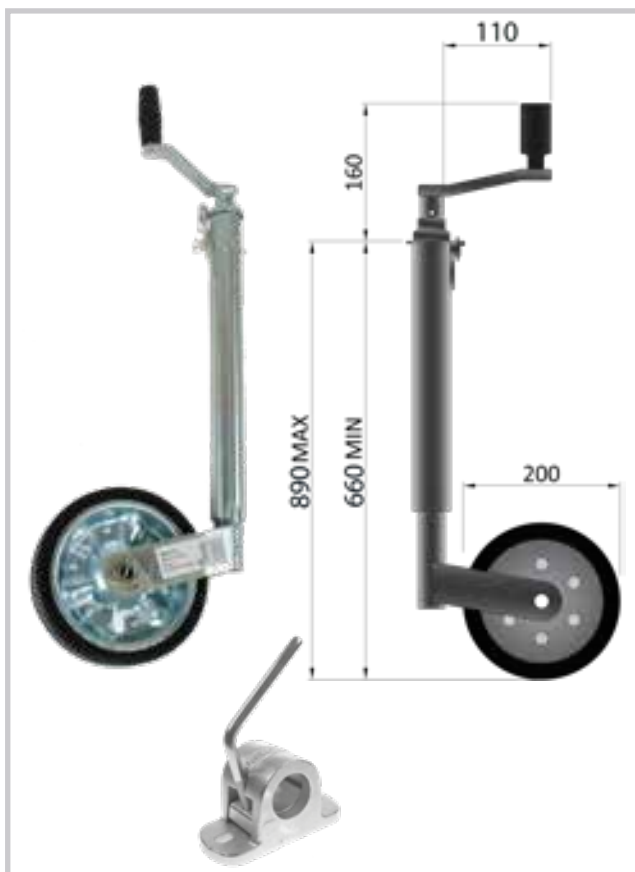
Code	MP9745
Outer Tube Diameter	48mm Serrated
Height Extension Range	270mm
Handle Extension	130mm
Tyre Size	225 x 55mm
Max. Static Load with Clamp	500kg
Box / Stillage Qty	2 / 108

### Replacement Parts

Handle Assembly	MP97453
Wheel	MP97452
Axle Tube	MP97458
R-clip & chain assembly	MP97459

# Premium Heavy Duty Jockey Wheels

## 42MM - HEAVY DUTY



<b>Code</b>	<b>MP9743</b>
<b>Outer Tube Diameter</b>	42mm
<b>Height Extension Range</b>	250mm
<b>Handle Extension</b>	85mm
<b>Tyre Size</b>	200 x 53mm
<b>Max. Static Load with Clamp</b>	300kg
<b>Box / Stillage Qty</b>	3 / 150

### Replacement Parts

<b>Wheel</b>	MP97435
<b>Handle Assembly</b>	MP97433
<b>Axle Tube</b>	MP97458
<b>R-Clip &amp; Chain Assembly</b>	MP97459

- Constructed for heavy duty trailer applications up to 300kg static nose weight
- Heavy duty ball-race handle bearing ensures smooth and easy handle rotation
- Grease nipple bearing lubrication inlet
- R clip assembly prevents handle rotation when travelling
- JS500 coating gives fantastic corrosion resistance, allowing the product to pass a 500 hour salt spray test
- Large 200 x 55mm steel wheel with PU tyre makes use easy on most types of ground
- Supplied without clamp. Suitable for use with MP97437 & MP97438 cast clamp

## 48MM - HEAVY DUTY



<b>Code</b>	<b>MP9741</b>
<b>Outer Tube Diameter</b>	48mm
<b>Height Extension Range</b>	230mm
<b>Handle Extension</b>	110mm
<b>Tyre Size</b>	200 x 53mm
<b>Max. Static Load with Clamp</b>	400kg
<b>Box / Stillage Qty</b>	2 / 130

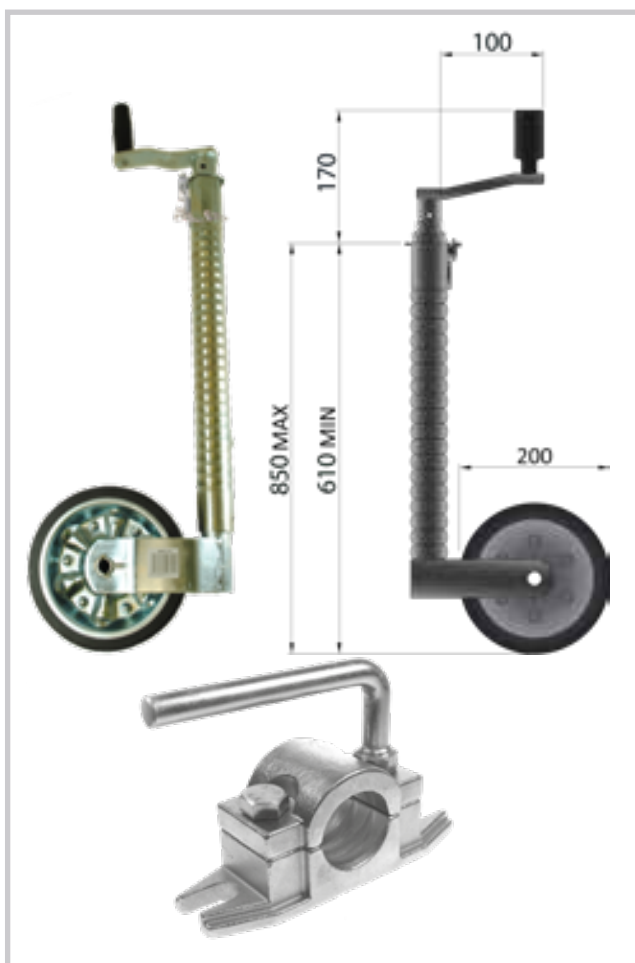
### Replacements Parts

<b>Wheel</b>	MP97435
<b>Handle Assembly</b>	MP97413
<b>Axle Tube</b>	MP97458
<b>R-Clip &amp; Chain Assembly</b>	MP97459

- Constructed for heavy duty trailer applications up to 400kg static nose weight
- Heavy duty ball-race handle bearing ensures smooth and easy handle rotation
- Grease nipple bearing lubrication inlet
- R clip assembly prevents handle rotation when travelling
- JS500 coating gives fantastic corrosion resistance, allowing the product to pass a 500 hour salt spray test
- Large 200 x 55mm steel wheel with PU tyre makes use easy on most types of ground
- Supplied without clamp. Suitable for use with MP97417 & MP97418 cast clamp

# Premium Heavy Duty Jockey Wheels

## 48MM - HEAVY DUTY



<b>Code</b>	<b>MP9744</b>
<b>Outer Tube Diameter</b>	48mm serrated
<b>Height Extension Range</b>	240mm
<b>Handle Extension</b>	100mm
<b>Tyre Size</b>	200 x 53mm
<b>Max. Static Load with Clamp</b>	400kg
<b>Box / Stillage Qty</b>	2 / 130

<b>Replacements Parts</b>	
<b>Wheel</b>	MP97435
<b>Handle Assembly</b>	MP97413
<b>Axle Tube</b>	MP97458
<b>R-Clip &amp; Chain Assembly</b>	MP97459

- Constructed for heavy duty trailer applications up to 400kg static nose weight
- Serrated & sandblasted anti-vibration tube prevents slippage through the clamp
- Heavy duty ball-race handle bearing ensures smooth and easy handle rotation
- Grease nipple bearing lubrication inlet
- R clip assembly prevents handle rotation when travelling
- JS500 coating gives fantastic corrosion resistance, allowing the product to pass a 500 hour salt spray test
- Large 200 x 56mm steel wheel with PU tyre makes use easy on most types of ground
- Supplied without clamp. Suitable for use with MP97455 cast clamp

## 60MM - HEAVY DUTY



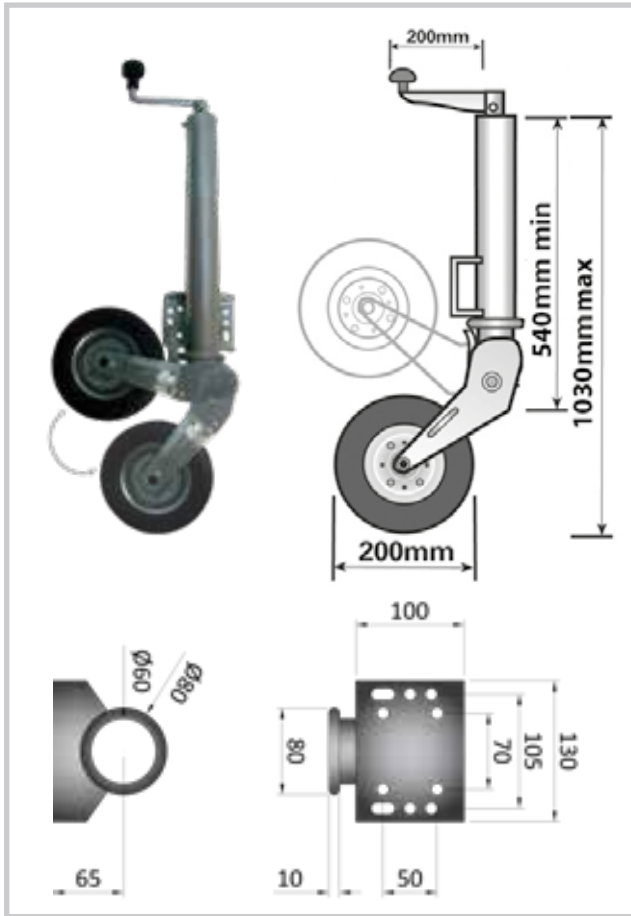
<b>Code</b>	<b>MP9761</b>
<b>Outer Tube Diameter</b>	60mm
<b>Height Extension Range</b>	230mm
<b>Handle Extension</b>	105mm
<b>Tyre Size</b>	200 x 53mm
<b>Max. Static Load with Clamp</b>	400kg
<b>Box / Stillage Qty</b>	2 / 130

<b>Replacements Parts</b>	
<b>Wheel</b>	MP97435
<b>Handle Assembly</b>	MP97613
<b>Axle Tube</b>	MP97458
<b>R-Clip &amp; Chain Assembly</b>	MP97459

- Constructed for heavy duty trailer applications up to 400kg static nose weight
- Heavy duty ball-race handle bearing ensures smooth and easy handle rotation
- Grease nipple bearing lubrication inlet
- R-clip & chain prevent handle rotation when travelling
- JS500 coating gives fantastic corrosion resistance, allowing the product to pass a 500 hour salt spray test
- Large 200 x 55mm steel wheel with PU tyre makes use easy on most types of ground
- Supplied without clamp. Suitable for use with MP9762 in medium duty applications only

# Auto-Fold Jockey Wheel

## 60MM / AUTO - FOLD



<b>Code</b>	<b>MP977</b>
<b>Outer Tube Diameter</b>	60mm
<b>Height Extension Range</b>	490mm
<b>Handle Extension</b>	130mm
<b>Tyre Size</b>	200 x 40mm
<b>Max. Static Load with Clamp</b>	300kg
<b>Box / Stillage Qty</b>	2 / 100
<b>Replacement Wheel</b>	MP228

- Constructed for heavy duty trailer applications up to 300kg static nose weight
- For example car transporter, horse box, livestock, plant and twin axle trailers.
- Wheel is raised automatically during retraction & locks in the raised position. It is released automatically when wound down again with the handle.
- Ball-race handle bearing ensures smooth and easy handle rotation
- Grease nipple bearing lubrication inlet
- Solid rubber tyre & steel rim
- Supplied with integral mounting plate (100 x 130mm) for easy fitting onto the trailer
- Zinc plate finish

## JOCKEY WHEEL CLAMP FIXING KIT

Many trailer manufacturers now recommend that the trailer drawbar should not be drilled when fitting a clamp.



	<b>Code</b>
Display Packed	<b>MP191</b>
<ul style="list-style-type: none"> <li>■ Suitable for light and medium duty clamps with M10 x 105-112mm hole centres</li> <li>■ Allows clamps to be fitted to 50x50mm &amp; 60x60mm square section drawbars without drilling</li> <li>■ Contents: 2 x M10 U-bolts 4 x M10 locking nuts &amp; washers 2 x M10 spacers 1 x mounting plate</li> </ul>	

## UNIVERSAL SPARE WHEEL CARRIER



	<b>Code</b>
Display Packed	<b>MP195</b>
<ul style="list-style-type: none"> <li>■ Clamps the spare wheel to the drawbar</li> <li>■ Fits square section drawbars 50-60mm</li> <li>■ For use with most popular wheel sizes <i>Note: 2 carriers are required for wheels 13" and above</i></li> </ul>	

# Replacement Wheels for Jockey Wheels

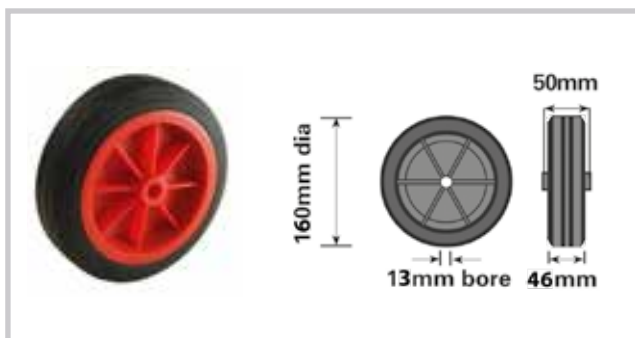
## Replacement Wheels for Jockey Wheels

### 155MM BLACK PLASTIC WHEEL



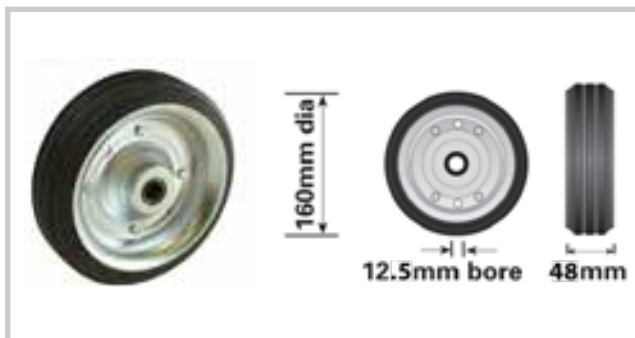
Code	<b>MP226</b>
Wheel Diameter	155mm
Tyre Width	42mm
Tyre / Rim	Rubber / Plastic
Bore (dia x length)	21.1 x 50mm
Max. Static Load	75kg
Replacement for Jockey Wheel	MP225

### 160MM RED PLASTIC WHEEL



Code	<b>MP430</b>
Wheel Diameter	160mm
Tyre Width	46mm
Tyre / Rim	Rubber / Plastic
Bore (dia x length)	13 x 50mm
Max. Static Load	75kg
Replacement for Jockey Wheels	MP431, MP432

### 160MM STEEL WHEEL



Code	<b>MP429</b>
Wheel Diameter	160mm
Tyre Width	48mm
Tyre / Rim	Rubber / Steel
Bore (dia x length)	12.5 x 50mm
Max. Static Load	150kg
Replacement for Jockey Wheel	MP433

### 200MM STEEL WHEEL

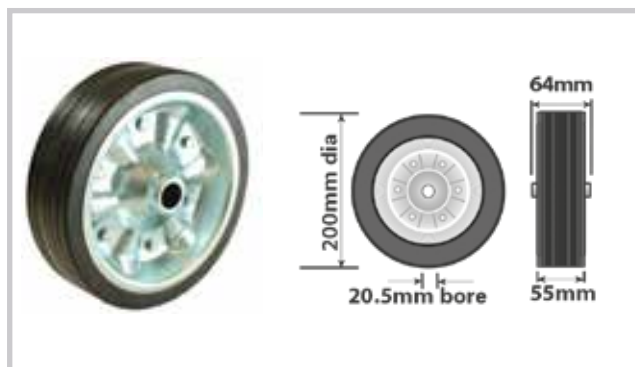


Code	<b>MP228</b>
Wheel Diameter	200mm
Tyre Width	48mm
Tyre / Rim	Rubber / Steel
Bore (dia x length)	20.5 x 58mm
Max. Static Load	300kg
Replacement for Jockey Wheels	MP227, MP435, MP436, MP977, MP2275, MP4365 & MP810



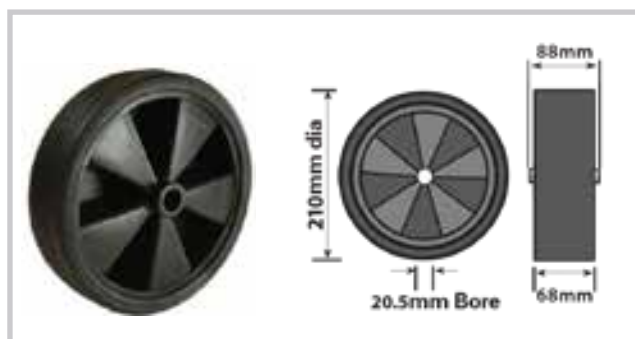
# Replacement Wheels for Jockey Wheels

## 200MM PU / STEEL WHEEL



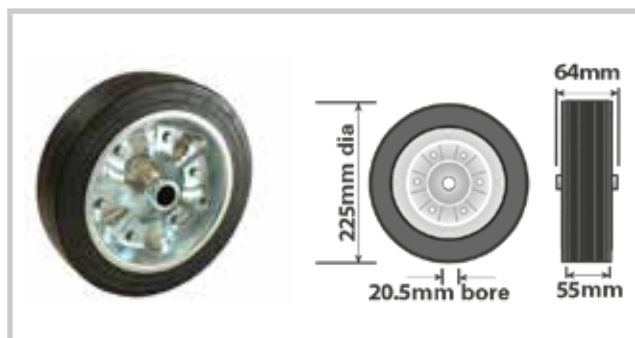
Code	<b>MP97435</b>
Wheel Diameter	200mm
Tyre Width	55mm
Tyre / Rim	PU / Steel
Bore (dia x length)	20.5 x 64mm
Max. Static Load	500kg
Replacement for Jockey Wheels	MP9741, MP9743, MP9744, MP9761

## 210MM PLASTIC WHEEL



Code	<b>MP97552</b>
Wheel Diameter	210mm
Tyre Width	68mm
Tyre / Rim	Plastic
Bore (dia x length)	20.5 x 88mm
Max. Static Load	100kg
Replacement for Jockey Wheel	MP9755

## 225MM PU / STEEL WHEEL



Code	<b>MP97452</b>
Wheel Diameter	225mm
Tyre Width	55mm
Tyre / Rim	PU / Steel
Bore (dia x length)	20.5 x 64mm
Max. Static Load	500kg
Replacement for Jockey Wheel	MP9745

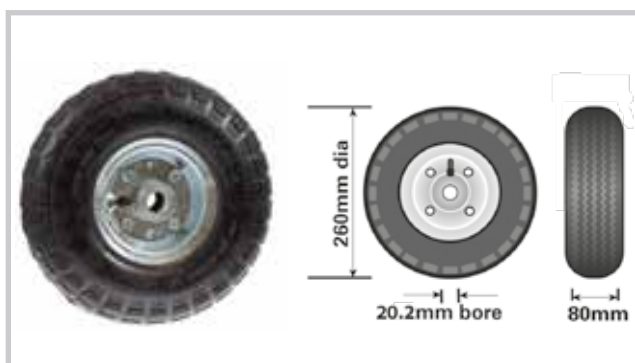
## 260MM PNEUMATIC RUBBER / PLASTIC WHEEL



Code	<b>MP229</b>
Wheel Diameter	260mm
Tyre Width	70mm
Tyre / Rim	Pneumatic Rubber / Plastic
Bore (dia x length)	20.5 x 83mm
Max. Static Load	136kg
Replacement for Jockey Wheel	MP437

# Replacement Wheels for Jockey Wheels

## 260MM PNEUMATIC RUBBER / STEEL WHEEL



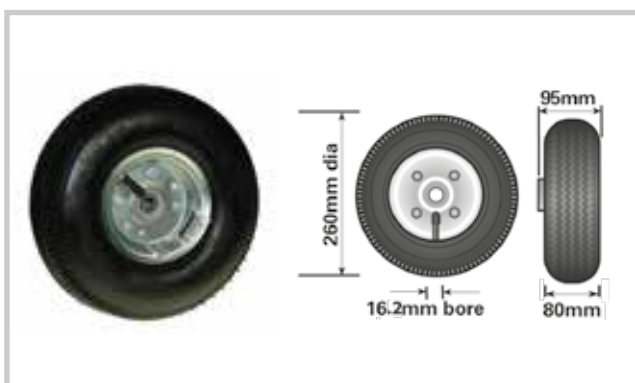
Code	<b>MP2291</b>
Wheel Diameter	260mm
Tyre Width	80mm
Tyre / Rim	Pneumatic Rubber / Steel
Bore (dia x length)	20.2 x 70mm
Max. Static Load	150kg
Replacement for Jockey Wheel	MP4375

## 260MM FLAT-FREE PU FOAM / PLASTIC WHEEL



Code	<b>MP2295</b>
Wheel Diameter	260mm
Tyre Width	77mm
Tyre / Rim	Flat-free PU foam / Plastic
Bore (dia x length)	20.5 x 74mm
Max. Static Load	100kg
Suitable for Jockey Wheel	MP437

## 260MM PNEUMATIC RUBBER / STEEL WHEEL



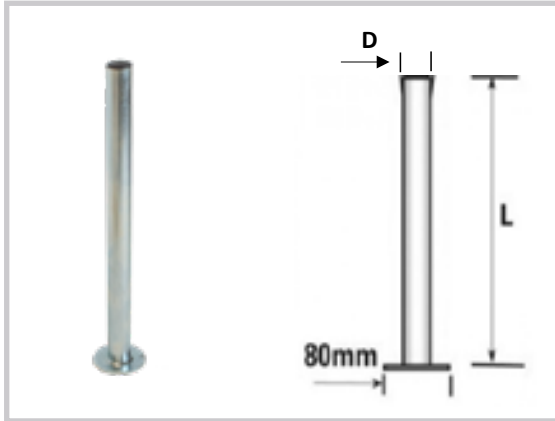
Code	<b>MP426</b>
Wheel Diameter	260mm
Tyre Width	80mm
Tyre / Rim	Pneumatic Rubber / Steel
Bore (dia x length)	16.2 x 55mm
Max. Static Load	130kg / Pair
Application	With offset bearing, suitable for sack trucks

# Propstands

## Propstands

Prop stands are used to evenly distribute loads and stabilise your trailer during loading and unloading, removing the risk of tipping or chassis damage.

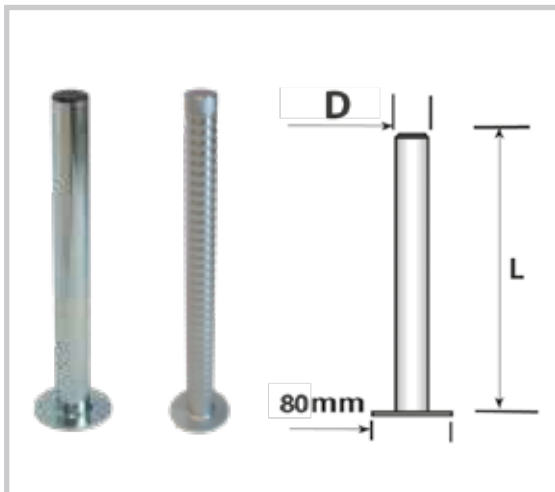
### STANDARD DUTY - WITHOUT HANDLE



Tube Dia D (mm)	Length L (mm)	Recommended Clamp	Code
34	450	MP222	MP220
34	600	MP222	MP221
42	450	MP427	MP492
42	600	MP427	MP491
42	750	MP427	MP4915

- Suitable for standard duty applications
- Clear zinc plate finish

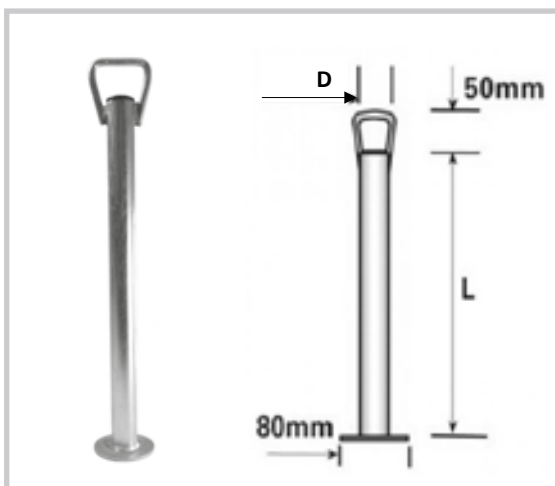
### LIGHT COMMERCIAL - WITHOUT HANDLE



Tube Dia D (mm)	Length L (mm)	Recommended Clamp	Code
48	450	MP8121 / MP97417	MP8114
48	600	MP8121 / MP97417	MP8115
48	750	MP8121 / MP97417	MP8116
48	900	MP8121 / MP97417	MP8117
48 (serrated)	600	MP97455	MP9716

- Robust construction for light commercial and medium duty applications
- Clear zinc plate finish
- With 110mm diameter foot for greater stability

### STANDARD DUTY - WITH HANDLE

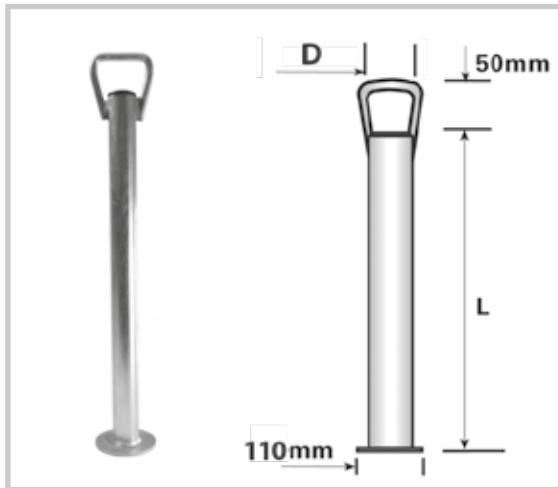


Tube Dia D (mm)	Length L (mm)	Recommended Clamp	Code
34	450*	MP222	MP22001
34	600*	MP222	MP22101
42	450*	MP427	MP49201
42	600*	MP427	MP49101

- Suitable for standard duty applications
- With wire loop handle for easy raising / lowering
- Clear zinc plate finish
- \*Length not including handle

# Propstands

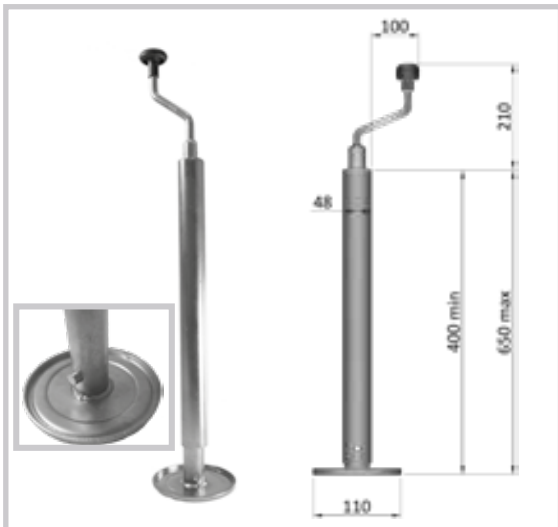
## LIGHT COMMERCIAL - WITH HANDLE



Tube Dia D (mm)	Length L (mm)	Recommended Clamp	Code
48	750*	MP424 (standard duty only)	MP8118

- Robust construction for light commercial and medium duty applications
- With wire loop handle for easy raising / lowering
- Clear zinc plate finish
- With 110mm diameter foot for greater stability
- \*Length not including handle

## LIGHT COMMERCIAL - TELESCOPIC



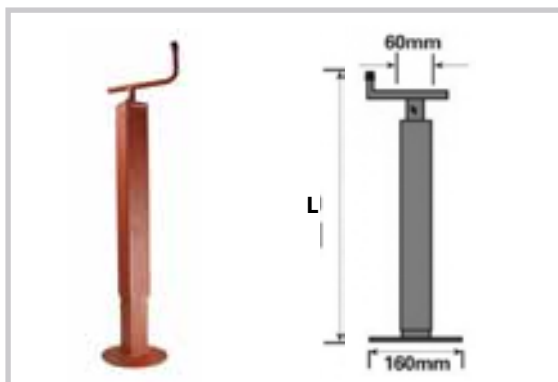
Tube Dia D (mm)	Length L (mm)	Max Static Load with Clamp (kg)	Recommended Clamp	Code
42	400-650*	100	MP224 / MP97437	MP438
48	400-650*	150	MP8121 / MP97417	MP4385

- Robust construction for light commercial and medium duty applications
- Wide 110mm diameter foot provides a stable platform for levelling the trailer
- Anti-rotation lug prevents unintended winding-down during transit
- Short-reach wire handle gives unrestricted rotation close to the trailer body or handbrake
- Clear zinc plate finish
- \*Length not including handle

## Heavy Duty Jacks

Jacks play a crucial part in assisting the safe and easy lifting, levelling and coupling of your trailer. They improve stability and versatility; routine maintenance becomes quicker and easier.

### 600KG

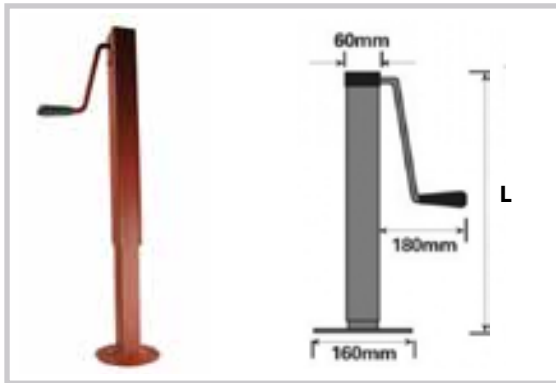


Outer Tube Section (mm)	Length L (mm)	Handle Location	Max Static Load (kg)	Code
60 x 60	545 - 890	Top	600	MP979

- Rapid winding for ease of use
- Grease nipple for gear lubrication
- Red oxide finish, ready for painting or easily removable for welding
- Note: Add grease before first use

# Jacks

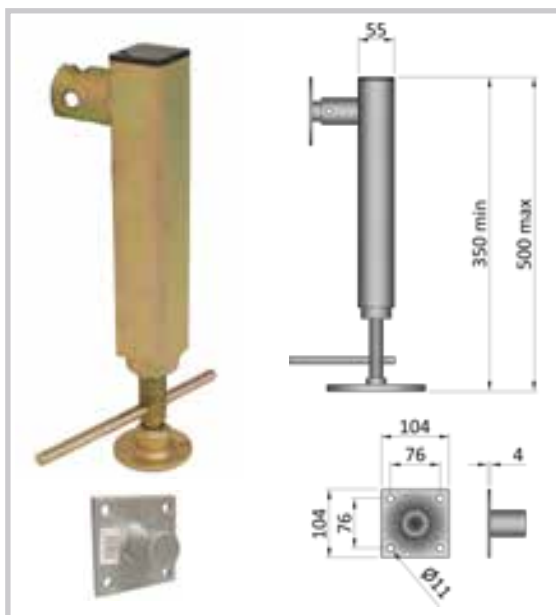
## 800KG



Outer Tube Section(mm)	Length L (mm)	Handle Location	Max Static Load (kg)	Code
60 x 60	545 - 890	Side	800	<b>MP978</b>

- Rapid winding for ease of use
- Grease nipple for gear lubrication
- Red oxide finish, ready for painting or easily removable for welding
- *Note:* Add grease before first use

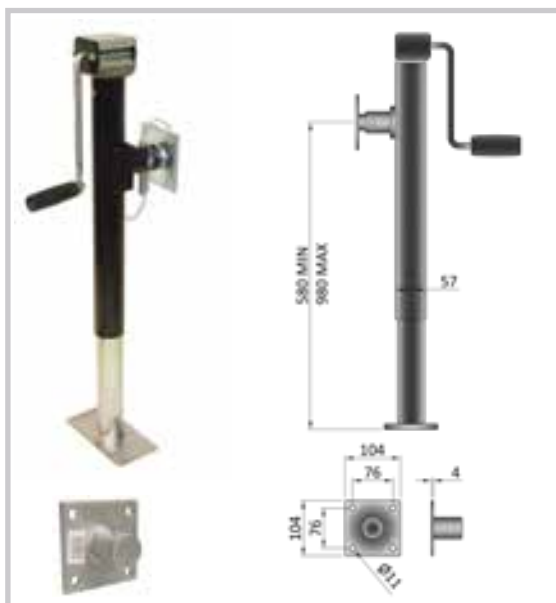
## 1000KG



Outer Tube Section(mm)	Length L (mm)	Handle Location	Max Static Load (kg)	Code
55 x 55	350 - 500	Above foot	1000	<b>MP4395</b>

- Rotatable on integral mounting plate for storage when not in use
- Mounting plate centre height range from ground: 300 - 450mm
- Ball joint on foot for use on moderately sloping or uneven ground
- Yellow passivate finish on body, clear zinc plating on mounting plate & pin (not included)
- Suitable for Ifor Williams applications
- Suitable for plant or tripper trailers
- Replacement pin & chain assembly - *MP43975*
- Replacement mounting plate - *MP4397*
- *Note:* Add grease before first use

## 1265KG



Outer Tube Section(mm)	Length L (mm)	Handle Location	Max Static Load (kg)	Code
57 Dia	580 - 980	Side	1265	<b>MP9785</b>

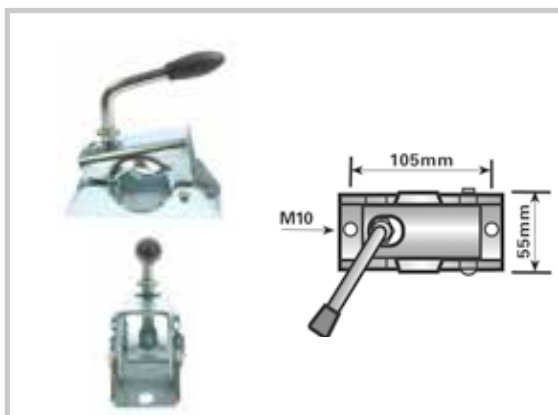
- Rotatable on integral mounting plate for storage when not in use
- Mounting plate centre height range from ground: 360 - 760mm
- Rapid winding for ease of use
- Grease nipple for gear lubrication
- Black powder coat finish on outer tube, clear zinc plating on other external surfaces
- Suitable for lighting trailers
- Replacement pin & chain assembly - *MP43975*
- Replacement mounting plate - *MP4397*
- *Note:* Add grease before first use



# Clamps for Jockey Wheels & Prop Stands

## Standard Duty Split Clamps

### STANDARD DUTY SPLIT CLAMPS

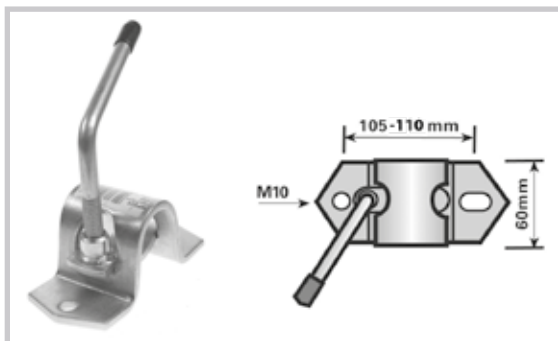


To Suit Tube Diameter	Bolt Size	Mounting Hole Centres	Code
34mm	M10	105mm	<b>MP222</b>
42mm	M10	105mm	<b>MP427</b>
48mm	M10	105mm	<b>MP424</b>

- Available in 3 sizes
- Manufactured from 3.5mm steel
- Zinc plate finish
- Recommended for Maypole standard duty jockey wheels and prop stands

## Medium Duty Clamps

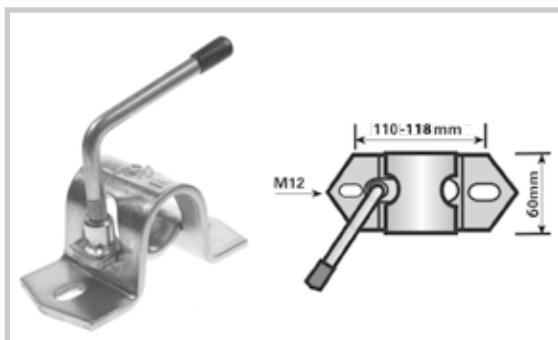
### 34MM



To Suit Tube Diameter	Bolt Size	Mounting Hole Centres	Code
34mm	M10	105-110mm	<b>MP223</b>

- Manufactured from 5.5mm steel
- Zinc plate finish
- Recommended for Maypole medium duty 34mm jockey wheels

### 42MM



To Suit Tube Diameter	Bolt Size	Mounting Hole Centres	Code
42mm	M12	110-118mm	<b>MP224</b>

- Manufactured from 5.5mm steel
- Zinc plate finish
- Recommended for Maypole medium duty 42mm jockey wheels and prop stands

### 48MM



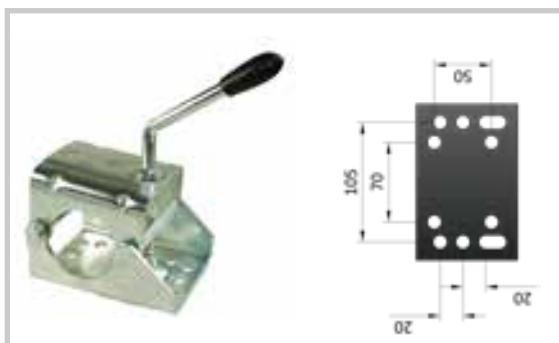
To Suit Tube Diameter	Bolt Size	Mounting Hole Centres	Code
48mm	M12	115-125mm	<b>MP8121</b>

- Manufactured from 5.5mm steel
- Zinc plate finish
- Recommended for Maypole medium duty 48mm jockey wheels and prop stands

Did you know? Many trailer manufacturers now recommend that the trailer drawbar should not be drilled when fitting a clamp

# Clamps for Jockey Wheels & Prop Stands

## 60MM

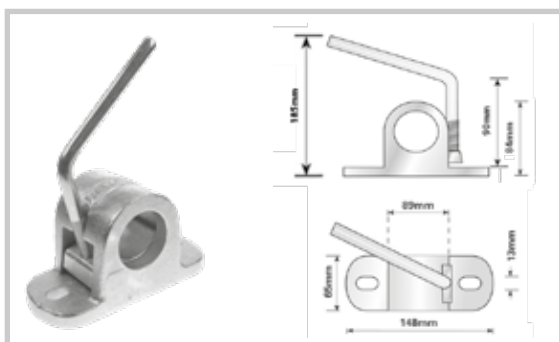


To Suit Tube Diameter	Bolt Size	Mounting Hole Centres	Code
60mm	2 or 4 M10	70 or 105mm centres	<b>MP9762</b>

- Manufactured from 4.5mm steel
- Zinc plate finish
- Recommended for medium duty 60mm jockey wheels

## Heavy Duty Clamps

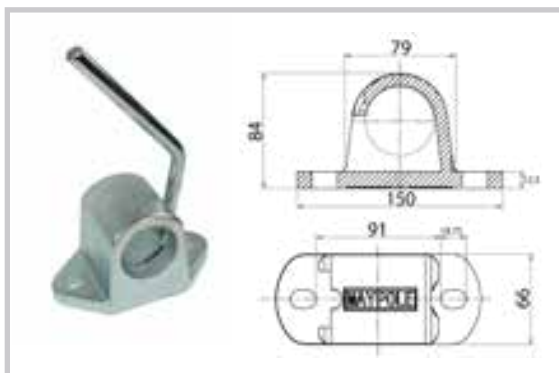
## 42MM



To Suit Tube Diameter	Bolt Size	Mounting Hole Centres	Code
42mm	M12	110-115mm	<b>MP97437</b>

- Heavy duty cast steel construction
- Zinc plate finish
- Recommended for Maypole heavy duty 42mm jockey wheels
- *Replacement Handle / Pad Assembly: X97437-1*

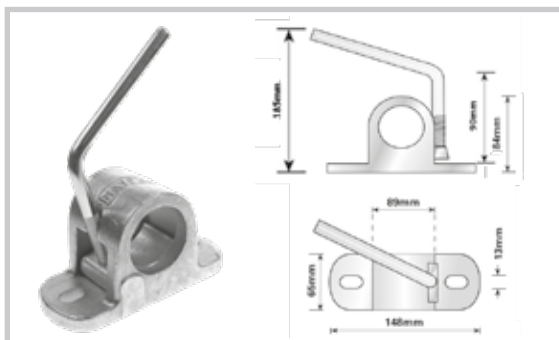
## 42MM



To Suit Tube Diameter	Bolt Size	Mounting Hole Centres	Code
48mm	M12	100mm	<b>MP97438</b>

- Heavy duty cast steel construction
- Zinc plate finish
- Replacements for Knott cast clamps and suitable for Ifor Williams trailers
- Recommended for Maypole heavy duty 42mm jockey wheels
- *Replacement Handle / Pad Assembly: X97438-1*

## 48MM

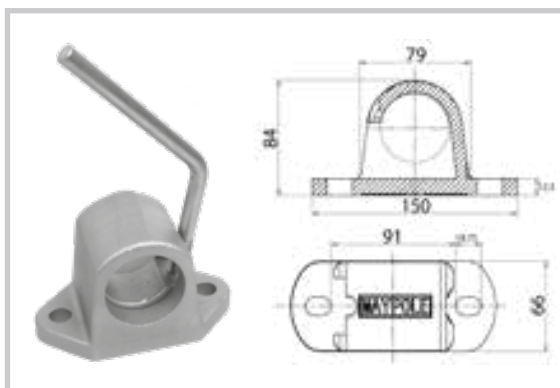


To Suit Tube Diameter	Bolt Size	Mounting Hole Centres	Code
48mm	M12	110-115mm	<b>MP97417</b>

- Heavy duty cast steel construction
- Zinc plate finish
- Recommended for Maypole heavy duty 48mm jockey wheels
- *Replacement Handle / Pad Assembly: X97417-1*

# Clamps for Jockey Wheels & Prop Stands

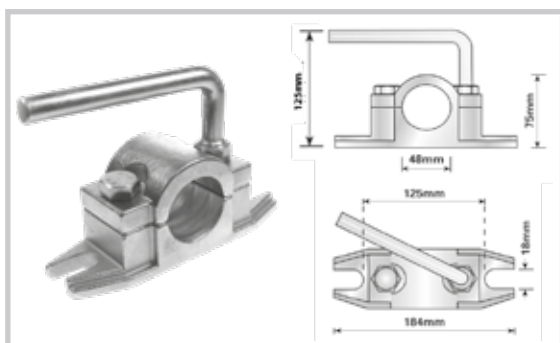
## 48MM



To Suit Tube Diameter	Bolt Size	Mounting Hole Centres	Code
48mm	M12	100mm	<b>MP97418</b>

- Heavy duty cast steel construction
- Zinc plate finish
- Recommended for Maypole heavy duty 48mm jockey wheels
- Replacements for Knott cast clamps and suitable for Ifor Williams trailers
- *Replacement Handle / Pad Assembly: X97418-1*

## 48MM SERRATED







To Suit Tube Diameter	Mounting Hole Centres	Code
48mm serrated	2 x 18mm open mounting slots	<b>MP97455</b>

- Heavy duty cast steel construction
- Zinc plate finish
- Recommended for Maypole heavy duty 48mm serrated jockey wheels & prop stands (MP9744, MP9745 & MP9716)
- *Replacement Handle / Pad Assembly: X97455-1*

# Brake Shoe Axle Sets

## Original Equipment Brake Shoe Axle Sets

All our brake shoe sets are supplied in security sealed boxes.

	Brand	Size (mm)	OE Reference	Applications	Contents	Code per set
	<b>KNOTT</b>	200x50mm	520066.004	Knott, Avonride, Indespension & IFOR WILLIAMS Auto-Reverse Brake Drums	2 fixed brake shoes, 2 sliding brake shoes, 2 retaining springs, 4 tensioning springs (2 long, 2 short)	<b>MP1792B</b>
	<b>KNOTT</b>	203x40mm	520065.003	Knott, Avonride & Indespension Auto-Reverse Brake Drums	2 fixed brake shoes, 2 sliding brake shoes, 2 retaining springs, 4 tensioning springs (2 long, 2 short)	<b>MP1793B</b>
	<b>KNOTT</b>	250x40mm	520067.004	Knott, Avonride, Indespension & IFOR WILLIAMS Auto-Reverse Brake Drums	2 fixed brake shoes, 2 sliding brake shoes, 2 retaining springs, 4 tensioning springs (2 long, 2 short)	<b>MP1794B</b>
	<b>ALKO</b>	160x37mm	1213888	ALKO & Indespension Brake Drums	4 brake shoes, 2 long tensioning brake springs, 2 short adjuster springs, 4 retaining springs & cover plates	<b>MP1796B</b>
	<b>ALKO</b>	200x50mm	1213889	ALKO & Indespension Brake Drums	4 brake shoes, 2 long tensioning brake springs, 2 short adjuster springs, 4 retaining springs & cover plates	<b>MP1797B</b>


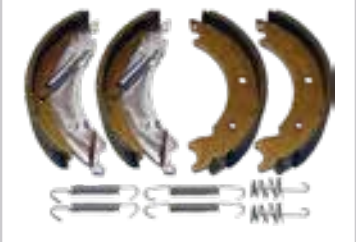





# Brake Shoe Axle Sets

## Maypole Brake Shoe Axle Sets

- High quality brake shoe sets, sourced in Europe
- Supplied in security-sealed boxes
- Full spring kits included
- Contents mirror equivalent OEM models
- Durable asbestos-free brake linings
- Models for Knott applications include rotation direction indicators
- With full pictorial fitting instructions
- ECE R90 approved as replacements for OEM models




	Brand	Size (mm)	Applications	Contents	Code per set
	<b>MAYPOLE</b>	200x50mm	Replacement for Knott 200x50mm, Auto-Reverse Brake Drums, Including IFOR WILLIAMS	2 fixed brake shoes, 2 sliding brake shoes, 2 retaining springs, 4 tensioning springs (2 long, 2 short)	<b>MP1762B</b>
	<b>MAYPOLE</b>	203x40mm	Replacement for Knott 203x40mm, Auto-Reverse Brake Drums	2 fixed brake shoes, 2 sliding brake shoes, 2 retaining springs, 4 tensioning springs (2 long, 2 short)	<b>MP1763B</b>
	<b>MAYPOLE</b>	250x40mm	Replacement for Knott 250x40mm Auto-Reverse Brake Drums, Including IFOR WILLIAMS	2 fixed brake shoes, 2 sliding brake shoes, 2 retaining springs, 4 tensioning springs (2 long, 2 short)	<b>MP1764B</b>
	<b>MAYPOLE</b>	200x50mm	Replacement for ALKO & 200x50mm Brake Drums	4 brake shoes, 2 long tensioning brake springs, 2 short adjuster springs, 4 retaining springs & cover plates	<b>MP1767B</b>
	<b>MAYPOLE</b>	230x60mm	Replacement for ALKO 230x60mm Brake Drums	4 brake shoes, 2 retaining springs & cover plates, 2 short adjuster, 2 long tensioning brake springs	<b>MP1768B</b>

Note: Brakes should only be serviced and replaced by competent technicians



# Brake Shoe Axle Sets & Parts

## Brake Shoe Spring Sets

	Applications	Code Bulk (1 kit)
	Shoe spring set suitable for MP1762B. 2 retaining springs, 4 tensioning springs (2 long, 2 short)	<b>MP1752B</b>
	Shoe spring set suitable for MP1763B. 2 retaining springs, 4 tensioning springs (2 long, 2 short)	<b>MP1753B</b>
	Shoe spring set suitable for MP1764B. 2 retaining springs, 4 tensioning springs (2 long, 2 short)	<b>MP1754B</b>
	Shoe spring set suitable for MP1767B. 2 short adjuster springs, 4 retaining springs & cover plates	<b>MP1757B</b>

## Brake Shoe Adjuster Kits

Our kits contain all the replacement brake adjustment components for one brake drum.


	Applications	Code Bulk (1 kit)	Code Display Packed (1 kit)
	Suitable for Knott, Avonride & IFOR WILLIAMS 160x35,200x50 & 203x40 brake drums. Also suitable for some Indespension models.	<b>MP4651B</b>	<b>MP4651</b>
	Suitable for Knott, Avonride & IFOR WILLIAMS 250x40 brake drums. Also suitable for some Indespension models.	<b>MP4652B</b>	<b>MP4652</b>
	Suitable for ALKO 160x37 brake drums. Also suitable for some Indespension models.	<b>MP4653B</b>	<b>MP4653</b>
	Suitable for ALKO 200x51 & 230x60 brake drums. Also suitable for some Indespension models.	<b>MP4654B</b>	<b>MP4654</b>

**Our trailer servicing lines are available in display packaging.  
Ask our sales team about stand deals on key servicing lines.**




# Brake Parts


## Brake Shoe Expanders

	Applications	Code Bulk (1 kit)	Code Display Packed (1 kit)
	Suitable for Knott, Avonride & IFOR WILLIAMS 200x50, 203x40 & 250x40 brake drums. Also suitable for some Indespension models.	<b>MP4662B</b>	<b>MP4662</b>
	Suitable for ALKO 160x37 brake drums. Also suitable for some Indespension models.	<b>MP4663B</b>	<b>MP4663</b>
	Suitable for ALKO 200x51 & 230x60 brake drums. Also suitable for some Indespension models.	<b>MP4664B</b>	<b>MP4664</b>

## Brake Cover Plates (Half Shells)

	Applications	Code Bulk (each)	MOQ
	Suitable for <b>ALKO</b>	<b>MP4671B</b>	10
	Suitable for <b>KNOTT &amp; IFOR WILLIAMS</b>	<b>MP4672B</b>	10

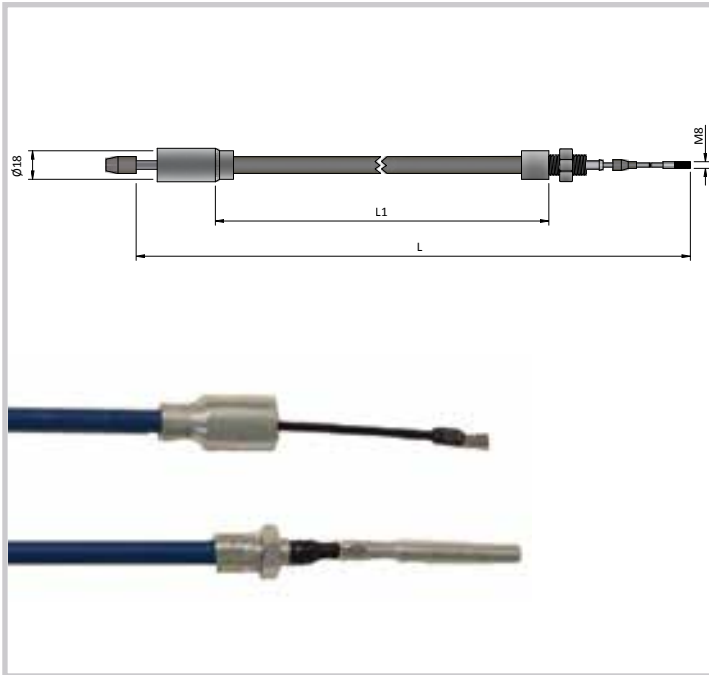
## Brake Cable Eyelets & Brake Cable Nut

	Applications	Code Bulk (1 kit)	Code Display Packed (1 kit)
	Suitable for <b>ALKO Brake Drums</b>	<b>MP4675B</b>	<b>MP4675</b>
	Suitable for <b>KNOTT &amp; IFOR WILLIAMS Brake Drums</b>	<b>MP4676B</b>	<b>MP4676</b>
	M8 x 1.25 Domed Brake Cable Nut	<b>MP413B</b> (Pack of 50 only)	

# Bowden Brake Cables

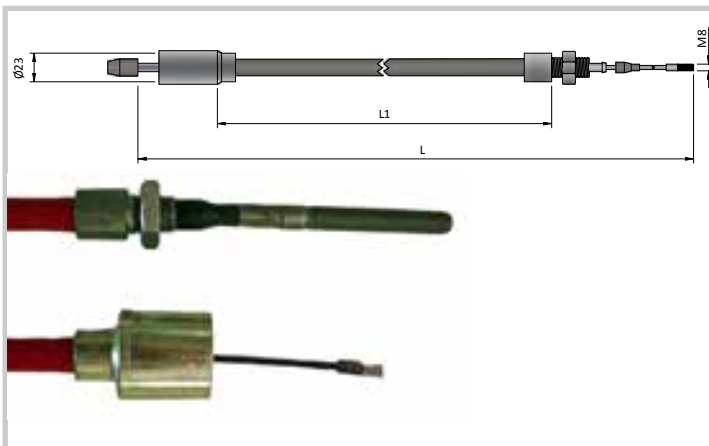
All of our premium quality European-made brake cables offer an extended service life and are less prone to jamming than many other cables on the market. This superior performance is derived from the inner pvc sheath protecting the cable from rust, dirt, damage and kinks.

## Long Life Detachable Brake Cables for Knott & Ifor Williams Brakes



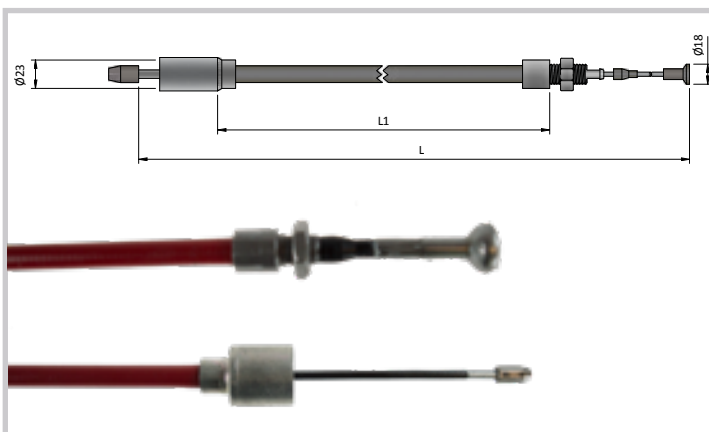
Outer Length (mm) L1	Inner Length (mm) L	Code (each)
730	940	<b>MP41307</b>
830	1040	<b>MP41308</b>
930	1140	<b>MP41309</b>
1030	1240	<b>MP41310</b>
1130	1340	<b>MP41311</b>
1230	1440	<b>MP41312</b>
1430	1640	<b>MP41314</b>
1530	1740	<b>MP41315</b>
1630	1840	<b>MP41316</b>
1830	2040	<b>MP41318</b>
1930	2140	<b>MP41319</b>
2030	2240	<b>MP41320</b>
2130	2340	<b>MP41321</b>

## Long Life Detachable Brake Cables for ALKO Brakes



Outer Length (mm) L1	Inner Length (mm) L	Code (each)
770	980	<b>MP41407</b>
890	1100	<b>MP41408</b>
1020	1230	<b>MP41410</b>
1130	1340	<b>MP41411</b>
1320	1530	<b>MP41413</b>
1430	1640	<b>MP41414</b>
1620	1830	<b>MP41416</b>

## Long Life Quick Connect Brake Cables for ALKO Brakes



Outer Length (mm) L1	Inner Length (mm) L	Code (each)
770	966	<b>MP41207</b>
890	1086	<b>MP41208</b>
1020	1216	<b>MP41210</b>
1130	1326	<b>MP41211</b>
1320	1516	<b>MP41213</b>
1430	1626	<b>MP41214</b>
1620	1816	<b>MP41216</b>

# Bearing Kits

## Sealed for Life Bearing Kits

To service one wheel hub

	Bearing Included	Other Contents	Applications	Part No Bulk (each)	Part No Display Packed (each)
 <p><b>MP1875B only</b></p>	633313 / DAC3060W	1 Circlip, 1 One Shot Nut	<b>ALKO 160x37 EURO</b> brake drum	<b>MP1871B</b>	-
	309609	1 Circlip , 1 One Shot Nut	<b>ALKO 230x61 EURO</b> brake drum	<b>MP1872B</b>	-
	309726	2 Circlips, 1 One Shot Nut	<b>ALKO 200x50 compact, Avonride X series, KNOTT 160x35, 200x50, 203x40 SFL</b> brake drums	<b>MP1873B</b>	<b>MP1873</b>
	311696	2 Circlips, 1 One Shot Nut	<b>ALKO 200x50 EURO, KNOTT 250x40, 200x50 (10") SFL, Avonride Y Series</b> brake drums	<b>MP1874B</b>	-
	42490	2 Circlips, Stake Nut, Neutral Grey Hub Cap	<b>IFOR WILLIAMS 200x50, 250x40</b> brake drums	<b>MP1875B</b>	-

## TAPER ROLLER & BALL BEARING KITS

To service one wheel hub

	Bearing Parts Included	Other Contents	Applications	Part No Bulk (each)	Part No Display Packed (each)
	L44643, L44643L 2 x L44610	-	<b>MAYPOLE / KNOTT / URB</b> taper roller bearing unbraked hub for 1" stub axles (MP418/MP4180)	<b>MP4181B</b>	<b>MP4181</b>
	6205, 6205Z	-	<b>MAYPOLE / PEAK</b> ball-bearing unbraked hub for 1" stub axles (MP419)	<b>MP4191B</b>	-
	LM11749, LM11710, L45449, L45410	40x52x7mm Oil Seal	<b>ALKO 160x37 NON-EURO</b> brake drums	<b>MP1821B</b>	-
	LM11949, LM11910, LM67048, LM67010	42x62x7mm Oil Seal	<b>ALKO 200x50 NON-EURO</b> brake drums	<b>MP1822B</b>	-
	30205, 30206	30x63x12mm Oil Seal (41582-2)	<b>KNOTT 200x50 taper roller bearing</b> brake drums	<b>MP1823B</b>	<b>MP1823</b>
	30204, 30206	30x63x12mm Oil Seal (41582-2)	<b>KNOTT 160x35 taper roller bearing</b> brake drums	<b>MP1824B</b>	<b>MP1824</b>
	LM11749, LM11710, LM45449, LM45410	40x52x7mm Oil Seal, M16x1.5 Flange Nut	<b>ALKO 750 unbraked taper roller</b> hubs	<b>MP1825B</b>	-
	6004ZC3, 6202Z	M10 Nyloc Nut & Plain Washer	<b>ERDE 102/122 &amp; PM310, MAYPOLE MP6810/6812/6805</b> trailers with unbraked hubs	<b>MP1826B</b>	-

# Bearings

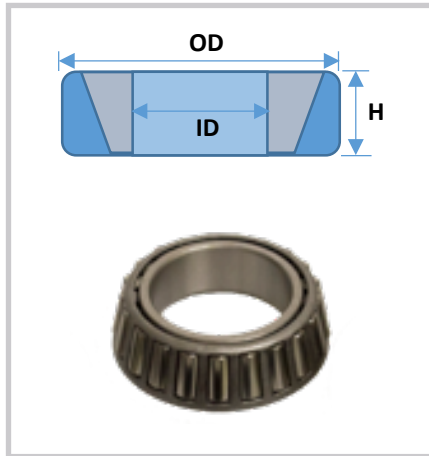
## Sealed for Life Bearings

Bearing	Dimensions ID/OD/H (mm)	Applications Include	Part No Bulk (each)	Part No Display Packed (each)
633313 / DAC3060W	30 x 60 x 37	ALKO 160x37 EURO brake drum	MP1811B	-
309609	42 x 80 x 42	ALKO 230x61 EURO brake drum	MP1812B	-
309726	34 x 64 x 37	ALKO 200x50 compact, Avonride X series, KNOTT 160x35, 200x50, 203x40 SFL brake drums	MP1813B	MP1813
311696	39 x 72 x 37	ALKO 200x50 EURO, KNOTT 250x40, 200x50 (10") SFL, Avonride Y Series brake drums	MP1814B	MP1814
42490	42 x 76 x 39	IFOR WILLIAMS 200x50, 250x40 brake drums	MP1815B	-



## TAPER ROLLER BEARING (CONE & CUP)

Bearing	Dimensions ID / OD / H (mm)	Applications Include	Part No Bulk (each)
30203	17 x 40 x 12	Erde 142-234 with ALKO hubs, Erde SY150 (MP6815) with ALKO hubs, SY160 (MP6816) with Erde hubs, SY210-230 (MP6821/MP6823) with ALKO hubs	MP1830B
30204	20 x 47 x 15.25	Erde 142 & Daxara 147 with RTN hubs, Erde 153-234 & CH751 with RTN hubs, Erde SY150 (MP6815) with RTN hubs, KNOTT 160x35 taper roller bearing brake drums	MP1831B
30205	25 x 52 x 15	Erde 142-234 & CH751 with ALKO & RTN hubs, Erde SY150 (MP6815) with RTN hubs, Erde SY160 (MP6816) with Erde hubs, Erde SY210/230 (MP6821/6823) with ALKO hubs, KNOTT 200x50 taper roller bearing brake drums	MP1832B
30206	30 x 62 x 16	KNOTT 200x50 & 160x35 taper roller brake drums	MP1833B



## OIL SEALS & CIRCLIP

Dimensions ID / OD / H (mm)	Applications Include	Part No Bulk (each)	MOQ
42 x 62 x 7	67048 taper roller bearings in ALKO 200x50 Non-Euro brake drums & ALKO 750 unbraked hubs	MP1840B	10
40 x 52 x 7	45449 taper roller bearings in ALKO 160x37 Non-Euro brake drums	MP1841B	10
30 x 52 x 8	6205, 41582-2 & 30205 taper roller bearings	MP1842B	10
30 x 63 x 12	30206 taper roller bearings in KNOTT 200x50 & 160x35 taper roller brake drums (41582-2)	MP1843B	10
-	76mm circlip for IWT 76mm bearings	MP1861B	10



**NOTE:** Bearings should only be replaced by competent technicians



# Hub / Dust Caps

## Hub / Dust Caps

### HUB / DUST CAPS

	Diameter (mm)	Height (mm)	Branding	Type	Applications Include	Part No Bulk (each)	Part No Display Packed (2)
	64.2	26	Neutral	Chromed Steel	KNOTT 200x50, Avonride X Series brake drums, lfor Williams P6e, P5, P7E & unbraked Eurolight with 64mm hubcaps	<b>MP4151B</b>	-
	52	28	Neutral	Chromed Steel	KNOTT 160x35 SFL, 200x50 TRB 10", 250x40 12" Avonride Y Series brake drums, lfor Williams P6e with 52mm hubcaps	<b>MP4152B</b>	<b>MP4152</b>
	48	23	Neutral	Chromed Steel	ALKO Non-Euro brake drums	<b>MP4153B</b>	<b>MP4153</b>
	55	28	Neutral	Chromed Steel	ALKO 1637/2051 Euro brake drums	<b>MP4154B</b>	-
	76	30	Neutral	Grey Plastic	IFOR WILLIAMS brake drums (since 1997)	<b>MP4155B</b>	-
	66	31	ALKO	Chromed Steel	ALKO 2361 Euro brake drums	<b>MP4156B</b>	-
	50.5	28	Neutral	Yellow Passivated Steel	MP418/4180 unbraked hubs, Avonride N Series unbraked hub	<b>MP4180CB</b>	<b>MP4180C</b>
	50.5	34	Neutral	Black Plastic	MP418/4180 unbraked hubs	<b>MP418CB</b>	<b>MP418C</b>

# Wheel & Hub Nuts

## Hub Nuts

It is strongly recommended that hub / stake / one-shot nuts should be replaced at every service. New nuts should be tightened to 280-300Nm.



Thread	Pitch	Socket Required	Branding	Applications Include	Part No Bulk (each)	MOQ	Part No Display Pack (2)
M24	1.5	32mm	Neutral	ALKO, KNOTT, AVONRIDE, BPW brake drums	<b>MP1891B</b>	10	<b>MP1891</b>
M27	2	36mm	Neutral	ALKO 2361 EURO brake drums	<b>MP1892B</b>	10	-
M30	1.5	46mm	Neutral	IFOR WILLIAMS brake drums (since 1997)	<b>MP1895B</b>	10	<b>MP1895</b>

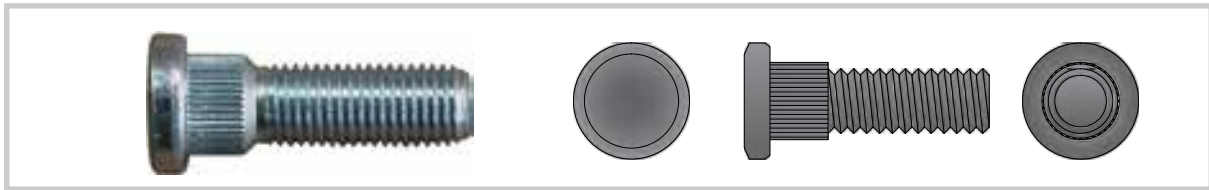
## Wheel Nuts



Thread	Pitch	Type	Applications Include	Part No Bulk (each)	Part No Display Packed	Display Pack Contents
3/8"	UNF	Spherical	Maypole MP4180, KNOTT unbraked TRB hubs	<b>MP4186B</b>	-	-
3/8"	UNF	Conical	Maypole MP418 unbraked hubs	<b>MP4187B</b>	<b>MP4187</b>	4
M12	1.5	Spherical		<b>MP4196B</b>	<b>MP4196</b>	4
M12	1.5	Conical		<b>MP4197B</b>	<b>MP4197</b>	4

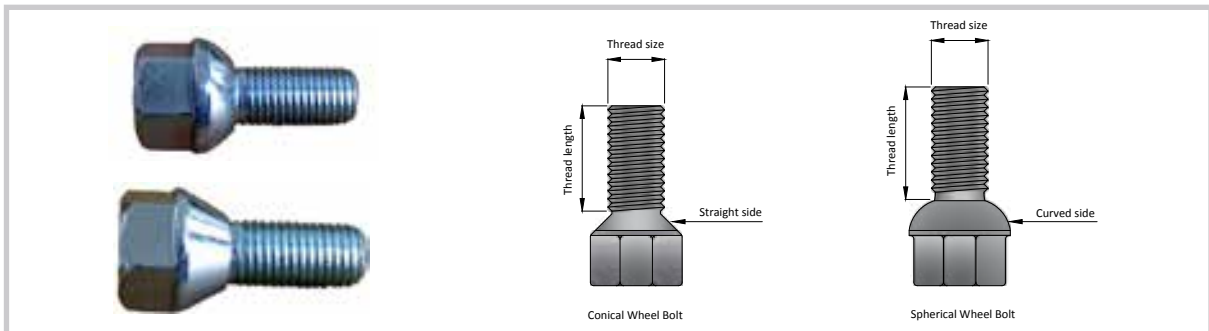
# Wheel Studs and Bolts

## Wheel Studs



Thread	Pitch	Thread Length (mm)	Overall Length (mm)	Spline Diameter (mm)	Applications Include	Part No Bulk (each)	Part No Display Packed	Display Pack Contents
3/8"	UNF	20	36	10.5	Maypole MP418/4180, KNOTT & URB unbraked hubs	<b>MP4185B</b>	<b>MP4185</b>	4
M12	1.5	27	45	14.5	Avonride E Series unbraked hubs	<b>MP4195B</b>	<b>MP4195</b>	4

## Wheel Bolts



Thread	Pitch	Thread Length (mm)	Overall Length (mm)	Type	Material Grade	Applications Include	Part No Bulk (each)	Part No Display Packed	Display Pack Contents
M12	1.5	23	44	Conical	8.8		<b>MP4193B</b>	<b>MP4193</b>	4
M12	1.5	28	48	Conical	10.9	Some IFOR Williams, applications, ALKO hubs fitted with alloy wheels	<b>MP4192B</b>	<b>MP4192</b>	4
M12	1.5	23	44	Spherical	8.8		<b>MP4194B</b>	<b>MP4194</b>	4
M14	1.5	23	44	Spherical	8.8	Erde SY150 (MP6815) with Erde & ALKO hubs, all Erde SY160-23 (MP6816, MP6819, MP6821, MP6823), Erde 153-213, Daxara 158-218, some IFOR WILLIAMS applications	<b>MP4198B</b>	<b>MP4198</b>	5
M14	1.5	27	46	Conical	8.8	Many IFOR WILLIAMS trailers	<b>MP4199B</b>	<b>MP4199</b>	5

# Suspension Units

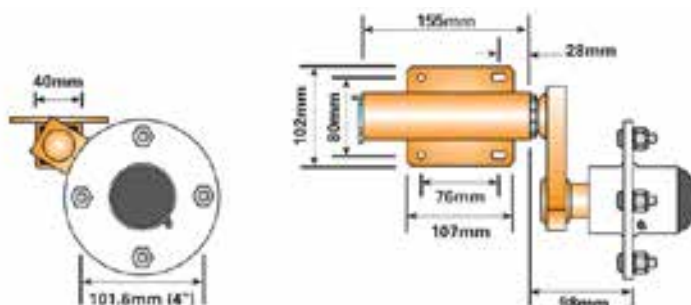
## Unbraked Trailer Suspension Units with Hubs

Load Capacity per Pair	Fixing Holes	Code
250kg	4 x M8	MP206
350kg	6 x M8	MP208
500kg	6 x M8	MP211
650kg	8 x M8	MP214

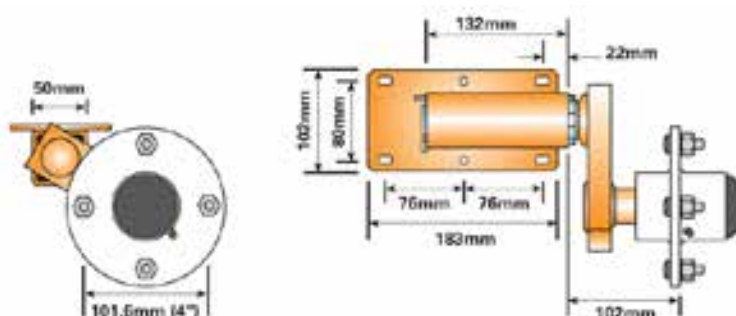
- Yellow zinc plated finish
- Long life polyurethane suspension
- Fitted with taper roller bearing hubs
- Suitable for use with 8" & 10" wheels with 4 studs on 4" (101.6mm) PCD

Replacement Parts	Code (Each)
Hub	MP418
Hub Cap	MP418CB
3/8" UNF Conical Nut	MP4187B
3/8" Stud	MP4185B
Bearing Kit (1 hub)	MP4181

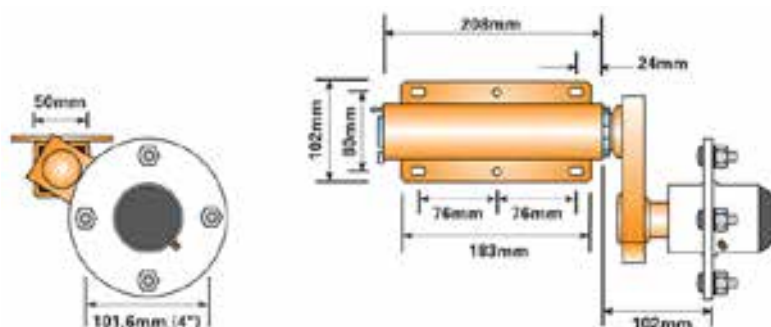
**MP206**



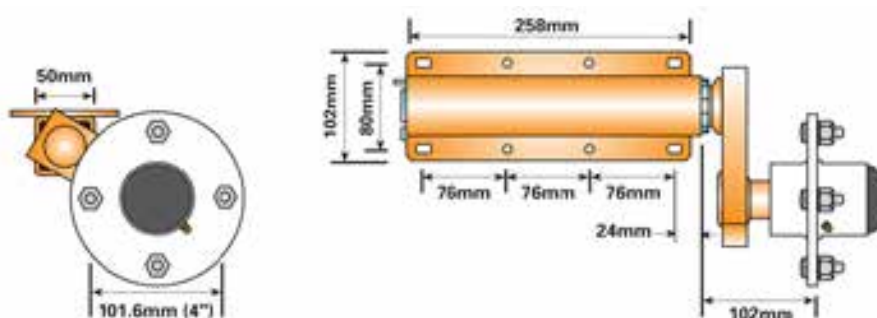
**MP208**



**MP211**



**MP214**



# Suspension Units

## Unbraked Trailer Suspension Units without Hubs

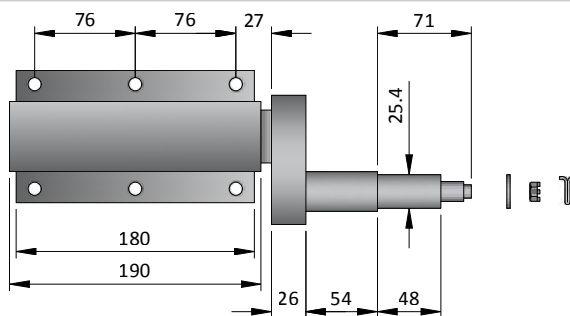


Load Capacity per Pair	Fixing Holes	Arm Length	Code
350kg	6 x M8	170mm	<b>MP207</b>
550kg	6 x M8	139mm	<b>MP210</b>
750kg	8 x M12	170mm	<b>MP212</b>

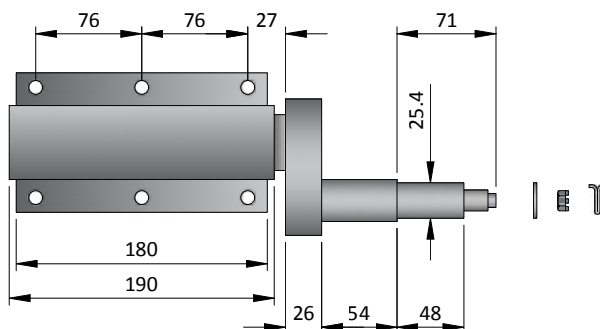
- Heavy duty suspension arm
- Corrosion-resistant hot dip galvanised finish
- Long life polyurethane suspension
- Suitable for use with 1" taper bearing hubs such as MP418 / MP4180

Replacement Parts	Code (Each)
Hub fixing pack ( 2 castle nuts, washers & cotter pins)	<b>MP1837</b>

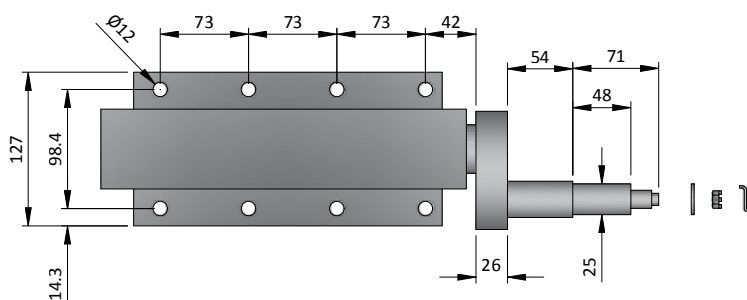
### MP207



### MP210



### MP212

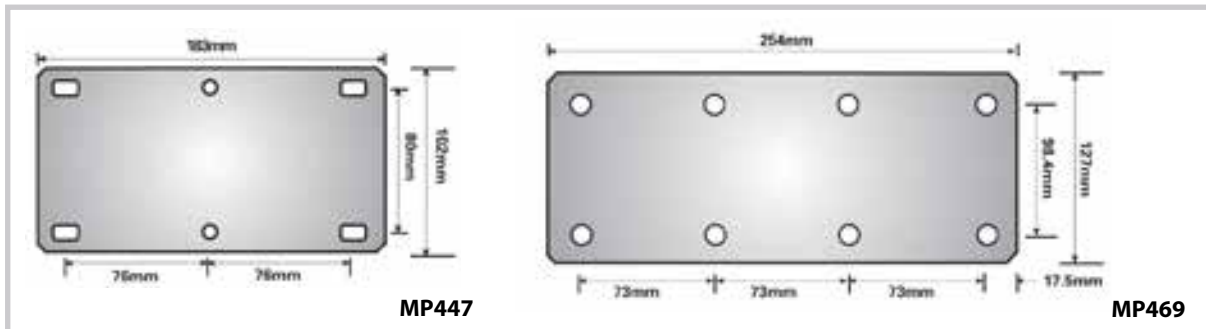




# Suspension Units

## Suspension Unit Mounting Plates

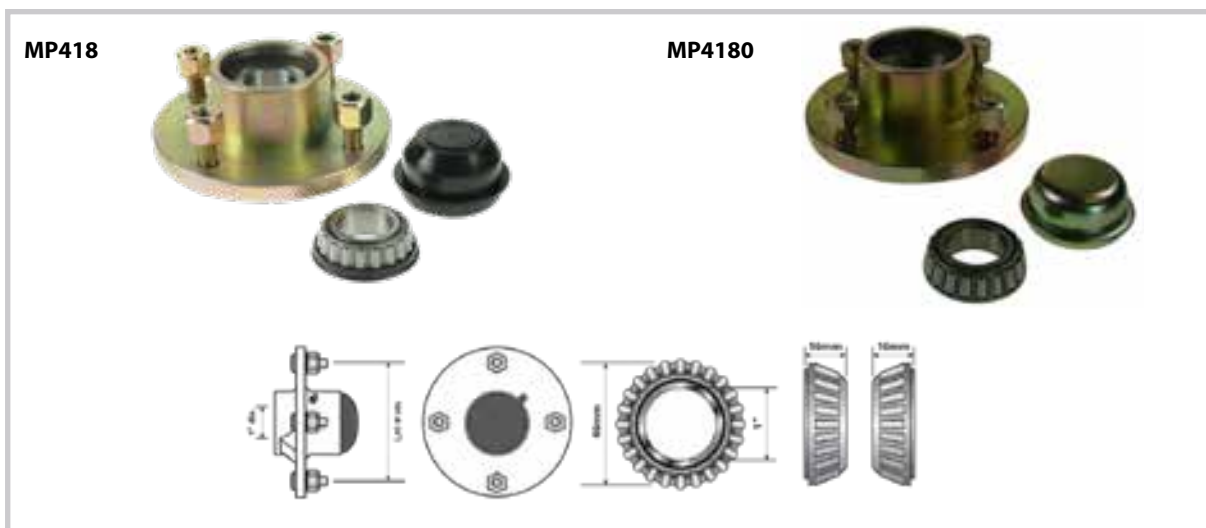
Supplied self-coloured ready for welding and finishing



Mounting Holes	Suitable for	Code
6 x M8 Holes	350kg to 550kg units	<b>MP447</b>
8 x M14 holes	750kg to 1500kg units	<b>MP469</b>

## Trailer Wheel Hubs

### UNBRAKED 1" TAPER ROLLER HUBS, 4 STUDS ON 4" PCD



- 4 x 3/8" UNF studs on 4" (101.6mm) PCD
- Suitable for fitting to 1" (25.4mm) stub axles
- Supplied with nuts, cap, bearings and grease nipple
- Bright zinc plated finish
- MP418 as fitted to MP206/MP208/MP211/MP214
- Both hubs are suitable for fitting to MP207/MP210/MP212
- Hub caps & nuts fit both models
- Note: Ensure hubs are filled with grease before first use, inspect regularly thereafter

#### Replacement Parts

Plastic hub cap	<b>MP418CB</b>	Hub with plastic cap & conical nuts	<b>MP418</b>
Steel hub cap	<b>MP4180CB</b>	Hub with steel cap & spherical nuts	<b>MP4180</b>
3/8" UNF conical nut	<b>MP4187B</b>		
3/8" UNF spherical nut	<b>MP4186B</b>		
3/8" stud	<b>MP4185B</b>		

# Wheels & Tyres

## Wheels & Tyres

Diameter	Tyre Size	Load & Speed Index		Studs	PCD	Inset / Offset	Centre Bore	Rim	Rim Colour	Code (each)
		Single Axle	Twin Axle							
8"	4.00-8	62N		4 x 3/8"	101.6mm (4")	0	66.7mm & grease nipple cut-out	2.50x8	White	<b>MP215</b>
8"	4.00-8	62N		4 x 3/8"	101.6mm (4")	0	66.7mm & grease nipple cut-out	2.50x8	Silver	<b>MP425</b>
8"	3.50-8	44N		4 x M10	115mm	0	85mm	2.50x8	Silver	<b>MP68102</b>
8"	4.00-8	62N		4 x M10	115mm	0	85mm	2.50x8	Silver	<b>MP68122</b>
10"	5.00-10	72N		4 x 3/8"	101.6mm (4")	0	67.7mm	3.50Bx10H2	White	<b>MP216</b>
10"	145/80B10	74N		4 x 3/8"	101.6mm (4")	0	67.7mm	3.50Bx10H2	White	<b>MP21645</b>
10"	195/55R10C	96N		5 x M12	112mm	-4mm	67mm	6.00x10H2	Silver	<b>MP42216</b>
10"	4.00-10	63M		4 x M10	115mm	0	85mm	3.50Bx10H2	Silver	<b>MP68152</b>
10"	5.00-10	72N		4 x M12	115mm	0	85mm	3.50Bx10H2	Silver	<b>MP42510</b>
12"	155/70R12C	104N	102N	5 x M14	165.1mm (6.5")	0	114.5mm	4.5Jx12H2	Silver	<b>MP42217</b>
12"	185/60R12C	104N	101N	5 x M14	165.1MM (6.5")	0	114.5mm	6.0Jx12H2	Silver	<b>MP42218</b>
13"	135/80R13	74N		4 x M14	130mm	+20mm	85mm	4Jx13H2 ET20	Silver	<b>MP68192</b>
13"	145/80R13	79N		4 x M14	130mm	+20mm	85mm	4Jx13H2 ET20	Silver	<b>MP68212</b>
13"	165R130C	96N		4 x M12	139.7mm (5.5")	+26mm	95.25mm	4.5Jx13H2 ET26	Silver	<b>MP42213</b>
13"	185/70R13C	106N	104N	5 x M14	165.1mm (6.5")	+7mm	115mm	5.5Jx13H2	Silver	<b>MP42219</b>
13"	195/50R13C	104N	101N	5 x M14	165.1MM (6.5")	+7mm	114.5mm	6.0Jx13H2	Silver	<b>MP42220</b>

# Wheels & Tyres

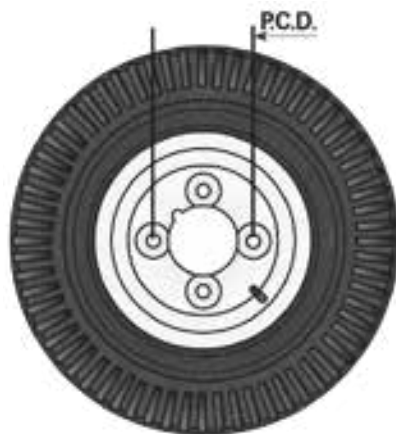


## Load Index (Symbol and maximum load in Kg)

Load Index	Max (kg)	Load Index	Max (kg)	Load Index	Max (kg)	Load Index	Max (kg)
71	345	81	462	91	615	101	825
72	355	82	475	92	630	102	850
73	365	83	487	93	650	103	875
74	375	84	500	94	670	104	900
75	387	85	515	95	690	105	925
76	400	86	530	96	710	106	950
77	412	87	545	97	730	107	975
78	425	88	560	98	750	108	1000
79	437	89	580	99	775	109	1030
80	450	90	600	100	800	110	1060

## Speed Code Table

Speed Rating	Max Safe Speed (mph)
J	62
K	68
L	75
M	81
N	87
P	94
Q	100
R	106
S	112
T	118
U	124
H	130
V	149



## INNER TUBE FOR MP215, MP425 & MP68122

■ Replacement inner tube for MP215, MP425 and MP68122

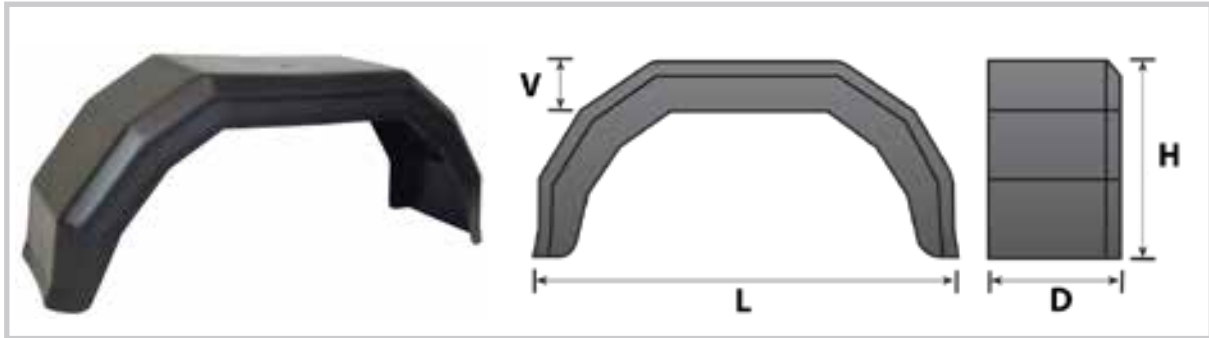


Code (Each)

**MP2150**

# Trailer Mudguards

## Single Plastic Mudguards

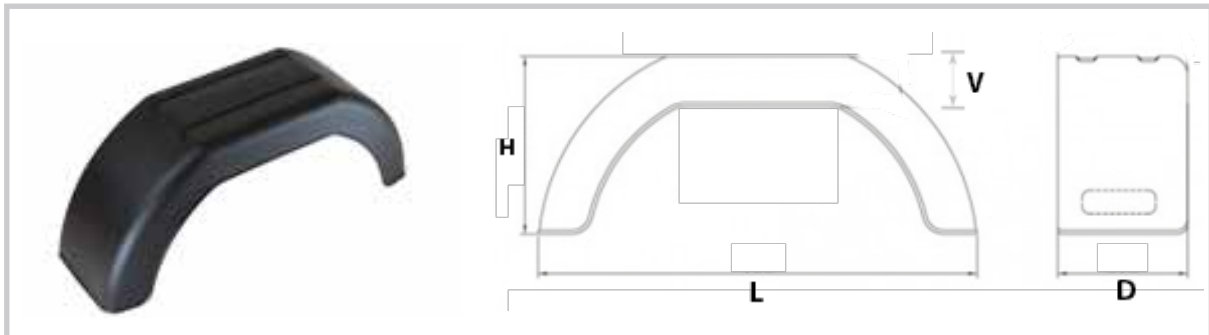


Code	Application	L	D	H	V	Pack Quantity	Pallet Quantity
MP265	8" wheel	490mm	140mm	200mm	41mm	10	600
MP266	10" wheels	610mm	170mm	240mm	65mm	8	256
MP267	13" wheels	760mm	210mm	335mm	95mm	5	140

- Injection moulded in durable black high density polyethylene
- MP266 & MP267 meet the requirements of regulation EU 109/2011

## Deluxe Single Plastic Mudguards

Manufactured in Europe our range of deluxe single plastic mudguards offers excellent quality with a professional finish, ideal for high spec trailers.



Code	Application	L	D	H	V	Pack Quantity	Pallet Quantity
MP2705	8" wheel	550mm	160mm	175mm	40mm	10	252
MP2706	10" wheels	610mm	180mm	245mm	70mm	10	180
MP2707	13" wheels	770mm	200mm	330mm	55mm	8	132
MP2708	14" wheels	790mm	220mm	370mm	55mm	4	90

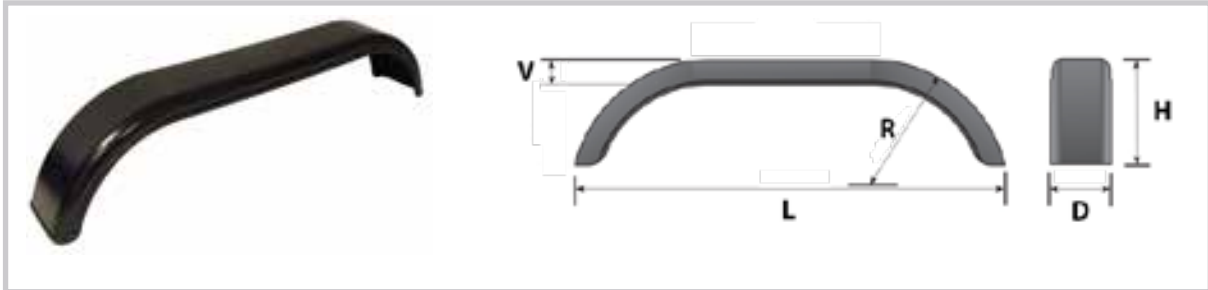
- Injection moulded in durable black polypropylene
- MP2706, MP2707 & MP2708 meet the requirements of regulation EU 109/2011
- Manufactured in Europe

# Trailer Mudguards

## Tandem Plastic Mudguards

Our range of tandem plastic mudguards is manufactured from fully recyclable, chemical resistant, UV-stabilised polyethylene. These lightweight and flexible mudguards are easy to fit to a wide variety of trailers, including horse boxes, cattle trucks, utility trailers etc. Supplied in pairs only.

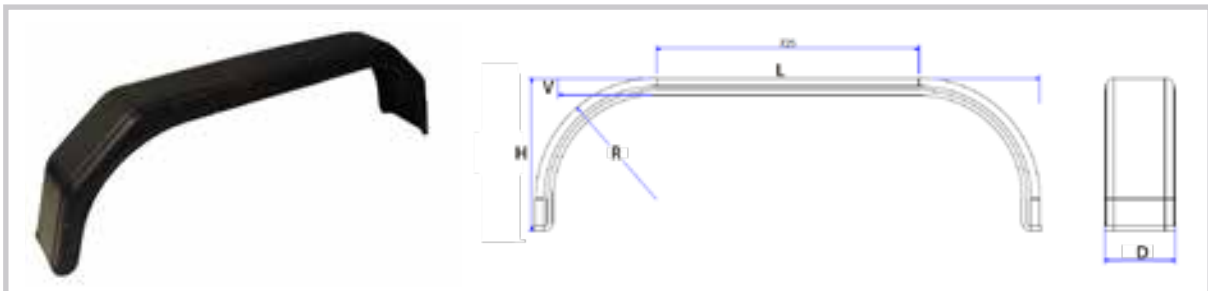
### ROUND MUDGUARDS



Code	L	D	H	R	V
<b>MP4791</b>	1220mm	190mm	250mm	290mm	45mm
<b>MP4792</b>	1500mm	190mm	250mm	355mm	45mm
<b>MP4794</b>	1540mm	215mm	450mm	355mm	45mm
<b>MP4795</b>	1750mm	210mm	530mm	445mm	45mm

### INTEGRATED FLAT FIXING POINT

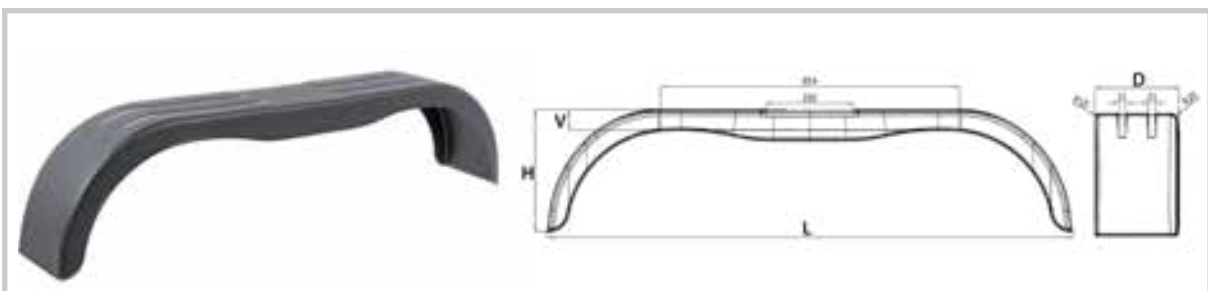
With 4 integrated flat fixing points to fit directly to the trailer body



Code	L	D	H	R	V
<b>MP4793</b>	1500mm	230mm	425mm	340mm	45mm

### FLAT SIDED MUDGUARD

With flat sides & manufactured from durable black polypropylene



Code	L	D	H	R	V
<b>MP2709</b>	1500mm	240mm	350mm	-	50mm

# Trailer Mudguards

## Single Steel Mudguards

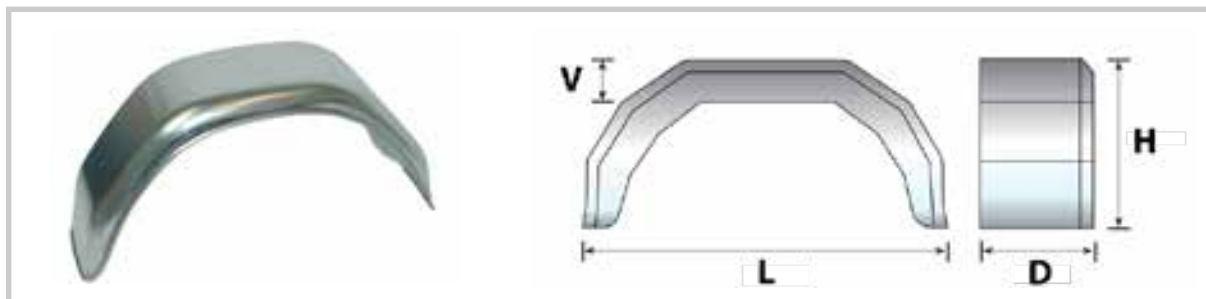
Our range of fully galvanised single steel mudguards features rolled edges for safety, strength and rigidity.

### ROUND MUDGUARD



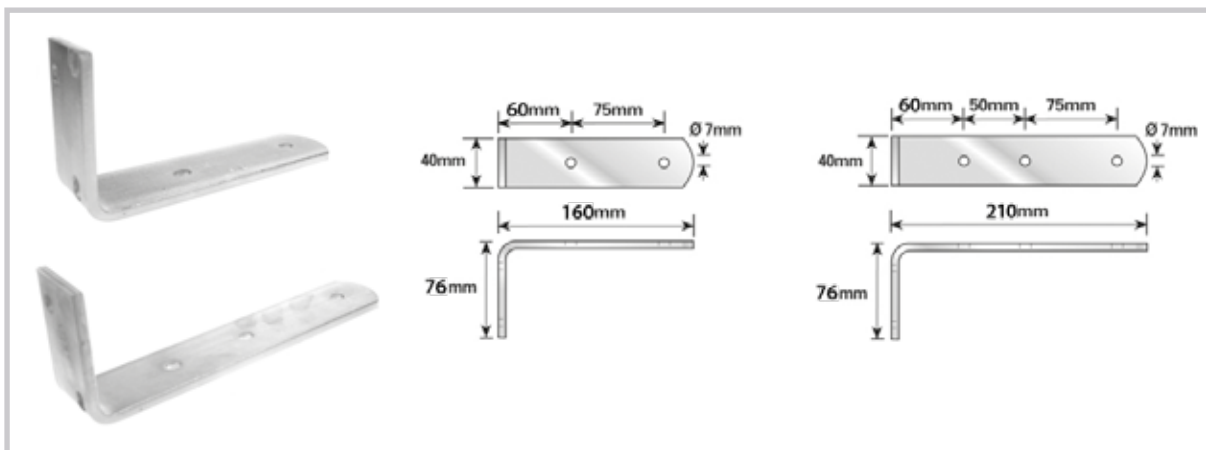
Code	Application	L	D	H	V	MOQ
MP2655	8" wheels	520mm	134mm	250mm	40mm	2

### FLAT SIDE MUDGUARDS



Code	Application	L	D	H	V	MOQ
MP2665	10" wheels	590mm	166mm	273mm	45mm	2
MP2675	13" wheels	670mm	192mm	333mm	45mm	2

## Heavy Duty Tandem Mudguard Brackets



Code	Length
MP4801	160mm
MP4805	210mm

- Manufactured from heavy duty 6mm steel
- With clear zinc plate finish



# Trailer Mudguards

## Spray Suppression Rain Flaps

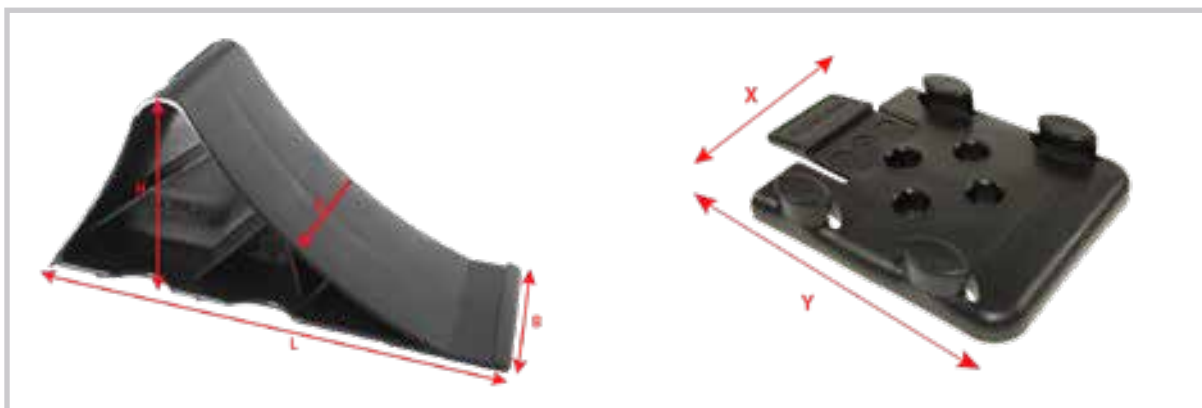


A	B	C	H	For Mudguards	Box Quantity	Code
95mm	145mm	53mm	148mm	8" - 10"	100	<b>MP2659B</b>
170mm	200mm	95mm	225mm	10" - 14"	50	<b>MP2679B</b>

- Manufactured from durable black polypropylene
- Meet the requirements of regulation EU 109/2011
- MP2659B fits 8/10" mudguards
- MP2679B fits 10/13/14" mudguards
- MP2679B can be printed with your logo (code X2679B)
  - Subject to an MOQ of 500
  - Print area 167mm (W) x 152mm (H)



## Trailer Wheel Chock & Mounting Plate Set



B	L	H	R	X	Y	Box Quantity	Code
90mm	225mm	100mm	250mm	104mm	140mm	12	<b>MP4615B</b>

- Chock slides easily into the mounting plates and is retained by a quick release clip
- A legal requirement for small trailers in some EU countries
- Manufactured from durable black polypropylene
- With 4 x 6mm mounting holes for fixing the plate to the trailer bodywork
- Mount to trailer or mudguard

For all up to date product information please visit [www.maypole.ltd.uk](http://www.maypole.ltd.uk)

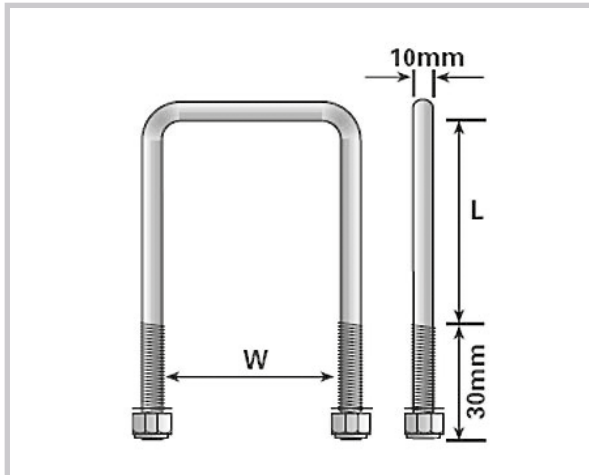
Are you following us on social media?



# 'U' Bolts

## M10 'U' Bolts

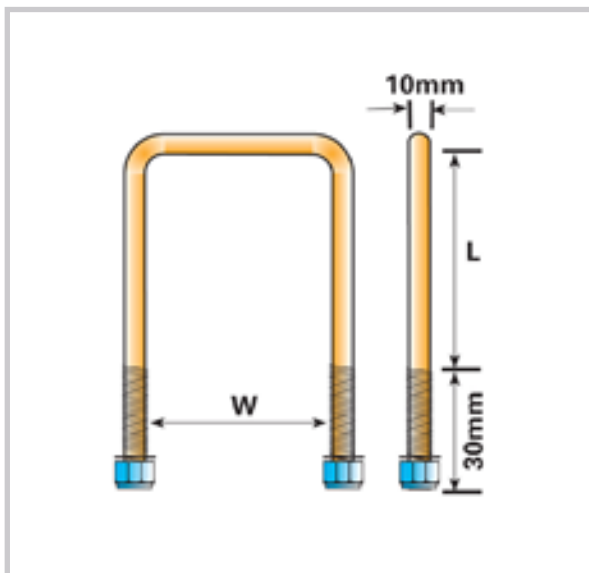
### 'U' BOLT MILD STEEL BRIGHT ZINC PLATED



W x L (mm)	Code (each)
40 x 40	<b>MP910MB</b>
40 x 60	<b>MP911MB</b>
40 x 80	<b>MP912MB</b>
50 x 50	<b>MP913MB</b>
50 x 76	<b>MP914MB</b>
50 x 102	<b>MP915MB</b>
60 x 60	<b>MP916MB</b>

- Complete with locking nuts and washers
- 30Nm recommended torque setting, subject to application
- Box qty 10

### 'U' BOLT HIGH TENSILE YELLOW PASSIVATED



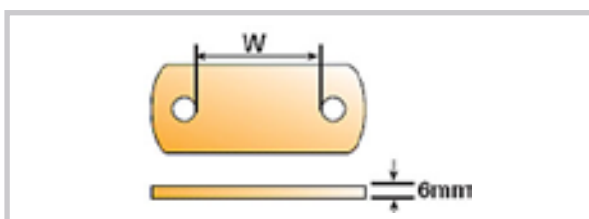
W x L (mm)	Code (each)
40 x 40	<b>MP910B</b>
40 x 60	<b>MP911B</b>
40 x 80	<b>MP912B</b>
50 x 50	<b>MP913B</b>
50 x 76	<b>MP914B</b>
50 x 102	<b>MP915B</b>
60 x 60	<b>MP916B</b>
70 x 76	<b>MP922B</b>
80 x 46	<b>MP923B</b>
80 x 86	<b>MP924B</b>

- Complete with locking nuts and washers
- 70Nm recommended torque setting, subject to application
- Box qty 10

## 'U' Bolt Plates

### 'U' BOLT PLATES

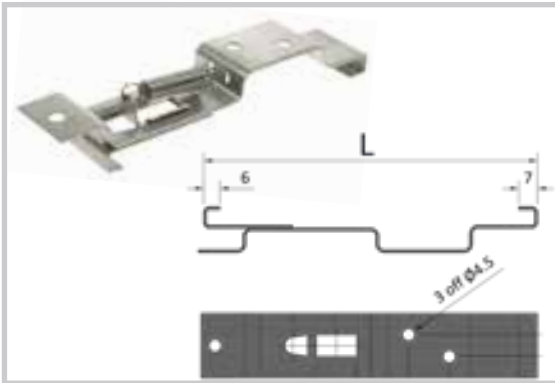
- Box qty 10



W (mm)	Code (each)
40	<b>MP917B</b>
50	<b>MP918B</b>
60	<b>MP919B</b>
70	<b>MP920B</b>
80	<b>MP921B</b>

# Body Fittings

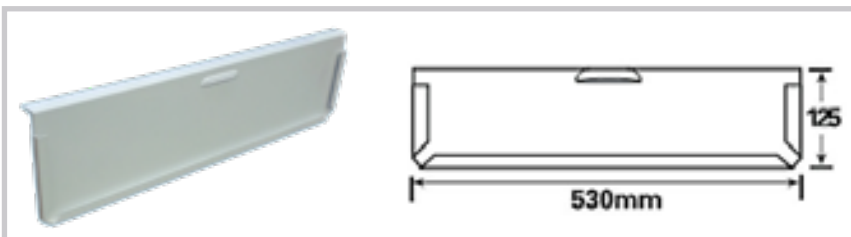
## Stainless Steel Number Plate Clamps



L	Part No Bulk (each)	Part No Display Packed (2)
123mm	<b>MP341B</b>	<b>MP341</b>
223mm	<b>MP3415B</b>	<b>MP3415</b>

- Manufactured from stainless steel
- Spring loaded
- MP341B suitable for rectangular (long) number plates up to 11cm tall
- MP3415B suitable for tall number plates

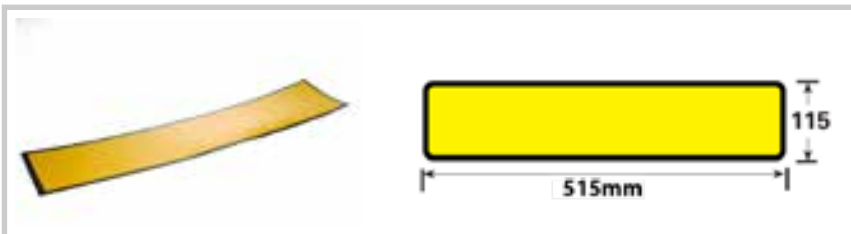
## Steel Number Plate Holder



Length	Width	Part No Bulk (each)
530mm	125mm	<b>MP278B</b>

- White powder coated finish

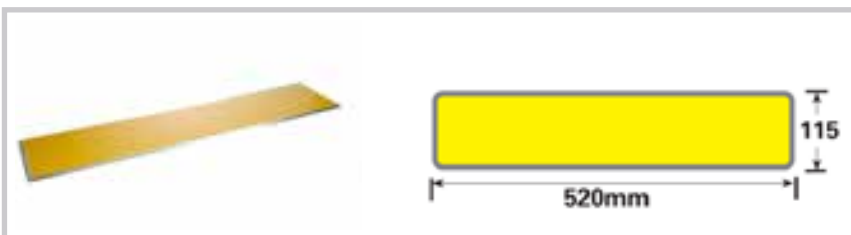
## Self-Adhesive Flexible Yellow Rectangular Plate



Length	Width	Part No Bulk (each)
515mm	115mm	<b>MP275</b>

- Please note this plate is not legal for highway use

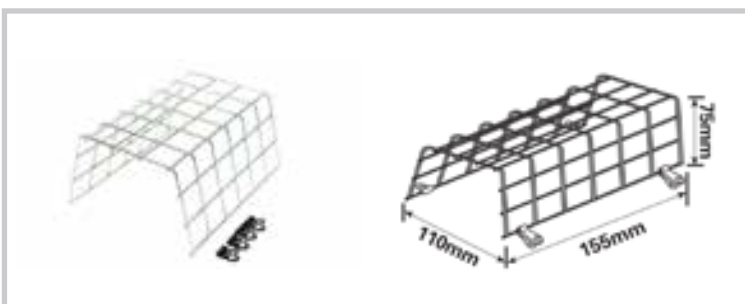
## Aluminium Yellow Plate



Length	Width	Part No Bulk (each)
520mm	115mm	<b>MP342</b>

- Please note this plate is not legal for highway use

## Chrome Wire Lamp Guard

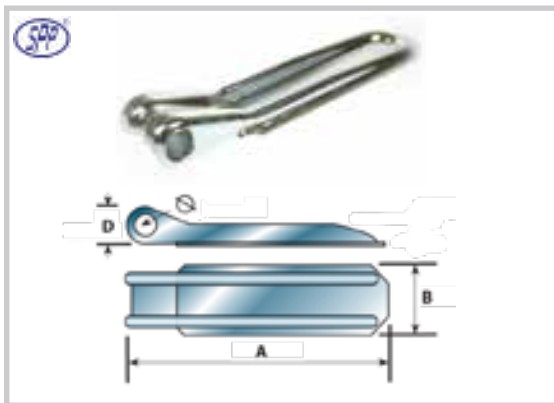


Length	Width	Depth	Part No Bulk (each)
155mm	110mm	75mm	<b>MP998</b>

- Helps protect trailer lighting and vehicle lamps from accidents
- Manufactured from mild steel and chrome plated
- Supplied with 4 fixing clips

# Body Fittings

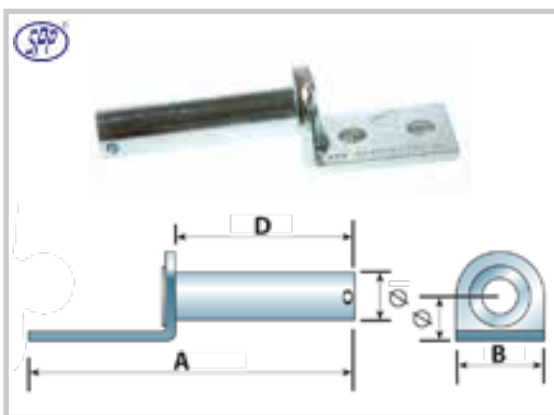
## Pressed Steel Hinges



A	B	Ø	D	Part No Bulk (each)
178mm	56mm	13mm	31mm	<b>MP81505</b>
228mm	56mm	13mm	31mm	<b>MP81515</b>
370mm	56mm	13mm	31mm	<b>MP81555</b>

- Manufactured from 2mm steel
- Zinc plated finish
- To be used with hinge pin - MP8158

## Bolt-On-Hinge / Gudgeon Pin



A	B	Ø	D	Part No Bulk (each)
112mm	30mm	12mm	31mm	<b>MP81585</b>
136mm	28mm	12mm	45mm	<b>MP8160B</b>
mm	mm	mm	mm	<b>MP8158</b>

- MP81585 is zinc plated finish, MP8160B is self colour finish
- R clip required to lock hinge onto pin
- MP81585 is suitable for use with MP81505, MP81515 & MP81555
- MP8160B is suitable for MP8165B, MP8166B & MP8167B

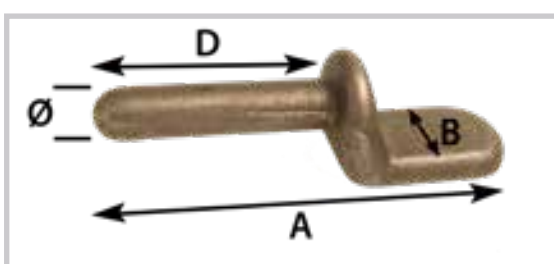
## Weld-On Hinges



A	B	Ø	D	Part No Bulk (each)
158mm	30mm	13mm	6mm	<b>MP8165B</b>
455mm	30mm	13mm	6mm	<b>MP8166B</b>
76mm	95mm	13mm	6mm	<b>MP8167B</b>

- Manufactured from 6mm mild steel
- Self colour finish, suitable for welding & finishing
- To be used with MP8159B or MP8160B

## Mild Steel Hinge / Gudgeon Pins

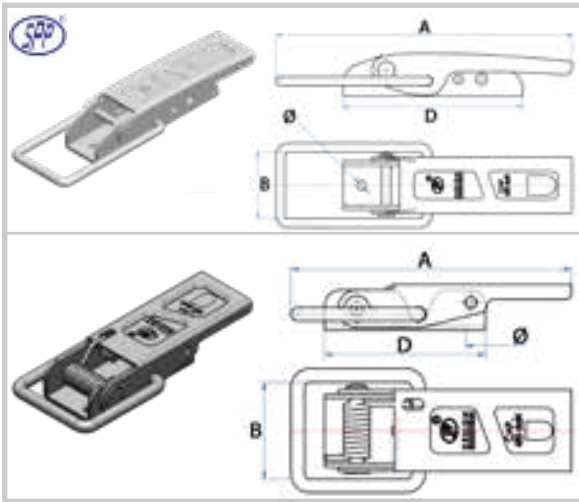


A	B	Ø	D	Part No Bulk (each)
100mm	28mm	12mm	70mm	<b>MP8159B</b>

- Self colour finish, suitable for welding & finishing
- Suitable for MP8165B, MP8166B & MP8167B

# Body Fittings

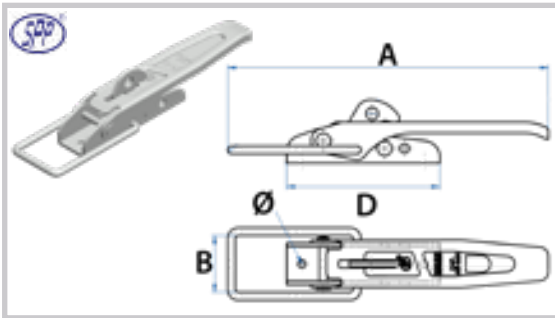
## Standard Overcentre Catches



A	B	Ø	D	Capacity	Part No Bulk (each)
165mm	37mm	2x5mm	100mm	840kg	<b>MP81302B</b>
105.5mm	36mm	2x5mm	60mm	455kg	<b>MP81303B</b>

■ Zinc plated finish

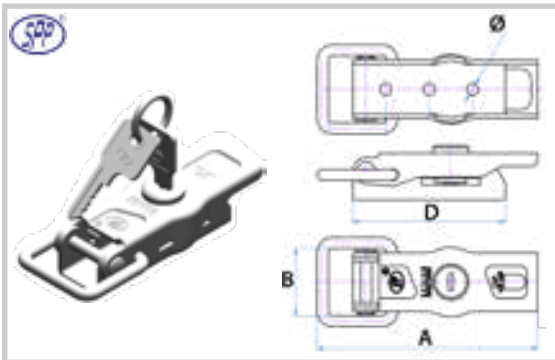
## Padlockable Overcentre Catches



A	B	Ø	D	Capacity	Part No Bulk (each)
210mm	37mm	2x5mm	100mm	490kg	<b>MP81301B</b>
210mm	40mm	2x5mm	100mm	700kg	<b>MP81305B</b>

■ Padlocks not included  
 ■ Zinc plated finish

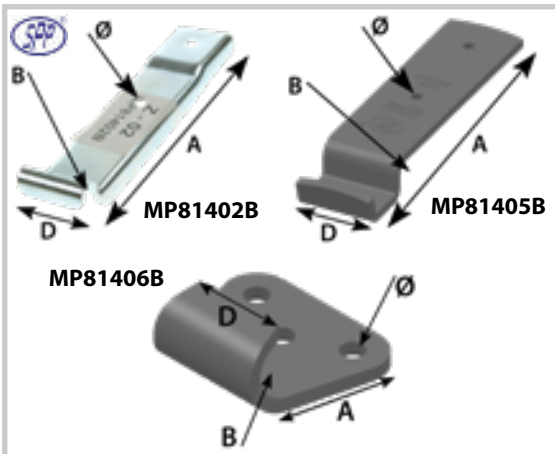
## Lockable Overcentre Catch



A	B	Ø	D	Capacity	Part No Bulk (each)
101.5mm	31mm	3x5.5mm	70mm	700kg	<b>MP81304B</b>

■ Integrated lock supplied with 2 keys  
 ■ Zinc plated finish

## Overcentre Latches

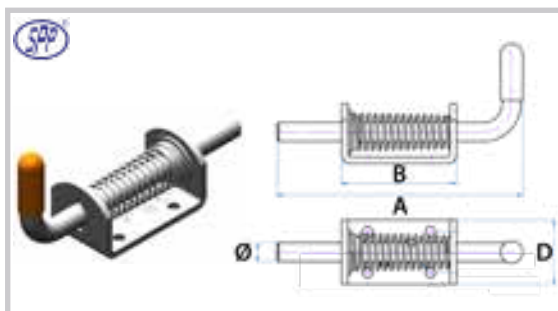


A	B	Ø	D	Max Capacity	Part No Bulk (each)
126mm	R3.5	2x5mm	30mm	280kg	<b>MP81402B</b>
142mm	21mm	2x5mm	35mm	609kg	<b>MP81405B</b>
36mm	R4.5	3x5mm	20mm	497kg	<b>MP81406B</b>

■ Zinc plated finish  
 ■ MP81402B suitable for MP81301B / MP81302B  
 ■ MP81405B suitable for MP81305B  
 ■ MP81406B suitable for MP81304B / MP81303B

# Body Fittings

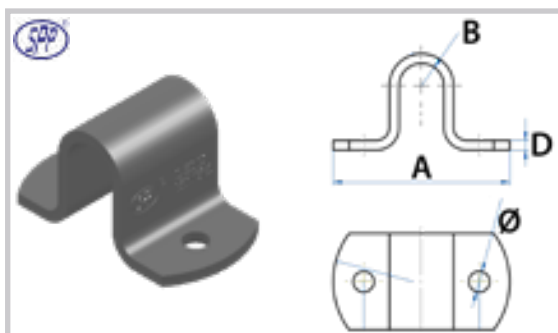
## Spring / Shoot Bolt



A	B	Ø	D	Part No Bulk (each)
156mm	73mm	12mm	41mm	<b>MP81310B</b>

- Zinc coated finish
- Tapered bolt to aid easier fitting inside latch
- MP81310B can be used with MP81410B

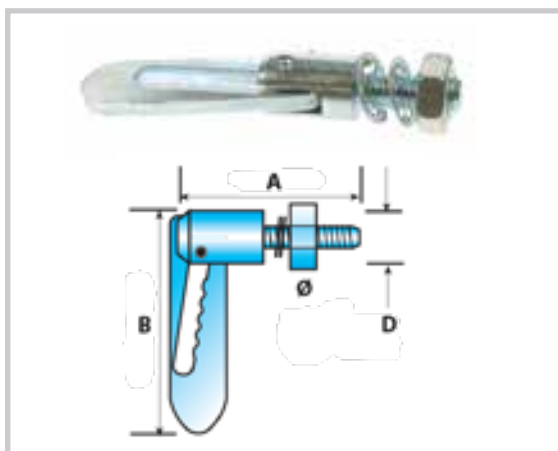
## Spring / Shoot Bolt Latch



A	B	Ø	D	Part No Bulk (each)
55mm	R7	2 x 6.5mm	3mm	<b>MP81410B</b>

- Zinc plated finish
- Suitable for all spring bolts up to 12mm diameter

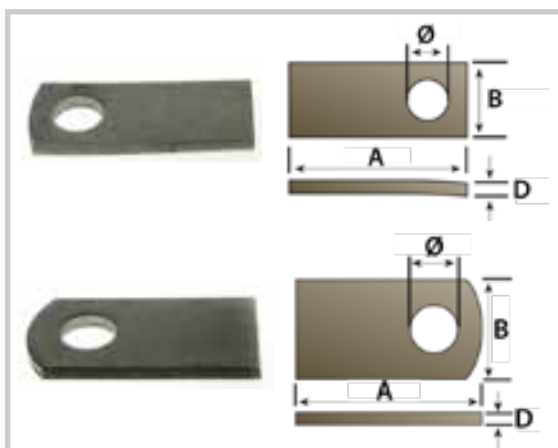
## Threaded Antiluces



A	B	Ø	D Thread Length	Part No Bulk (each)	Part No Display Pack (x 2)
40mm	50mm	M8	21mm	<b>MP836B</b>	<b>MP836</b>
58mm	50mm	M8	38mm	<b>MP8365B</b>	-
52mm	70mm	M12	26mm	<b>MP838B</b>	<b>MP838</b>

- Zinc plated finish

## Antiluce Plates



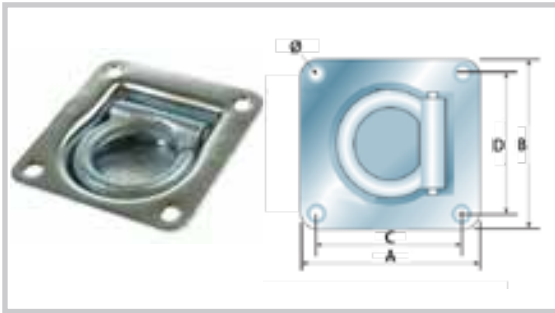
A	B	Ø	D	Part No Bulk (each)
73mm	28mm	16mm	5mm	<b>MP841B</b>
92mm	50mm	22mm	6mm	<b>MP840B</b>

- Self colour suitable for welding and finishing
- MP841B suitable for MP836 / MP837
- MP840B suitable for MP838 / MP839



# Body Fittings

## Single Recessed Lashing Rings



A	B	C	D	Ø	Part No Bulk (each)
102mm	97mm	80mm	75mm	4 x 7mm	<b>MP81407B</b>

- Zinc plated finish
- Spring loaded

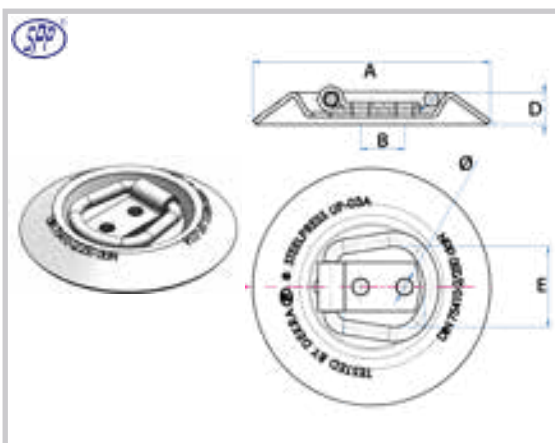
## Double Recessed Lashing Ring



A	B	C	D	Ø	Part No Bulk (each)
146mm	106mm	62mm	84mm	6 x 6mm	<b>MP81408B</b>

- Zinc plated finish

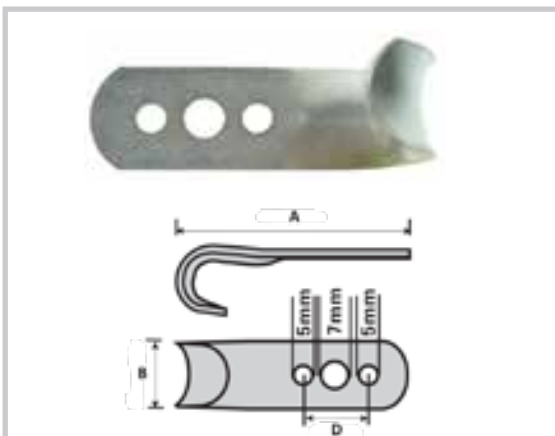
## Round Surface Mount Lashing Ring - Metal Surround



A	B	Ø	D	E	Part No Bulk (each)
97mm	18mm	3x6.5mm	13mm	33mm	<b>MP81409B</b>

- Zinc plated finish

## Steel Tie Down Hooks



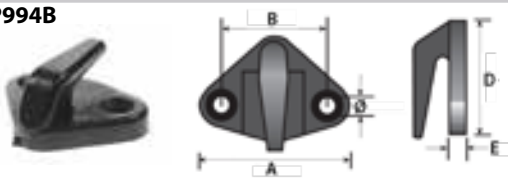
A	B	Ø	D	Part No Bulk (each)	Part No Display Pack (x 2)
63mm	19mm	2 x 5mm 1 x 7mm	19mm	<b>MP996B</b>	<b>MP996</b>

- Zinc plated finish

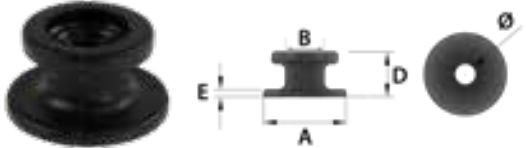
# Body Fittings

## Trailer Cover Tie Downs

MP994B



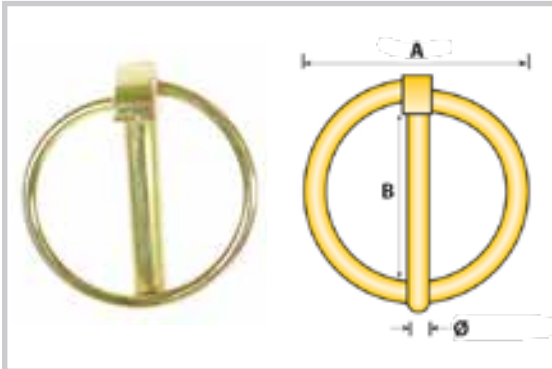
MP995B



A	B	Ø	D	E	Part No Bulk (each)	Part No Display Pack (x 10)
31mm	19mm	2x3mm	25mm	4mm	MP994B	MP994
25mm	14mm	6mm	19mm	2.2mm	MP995B	MP995

- Black plastic
- Ideal for securing elastic cord on trailer covers

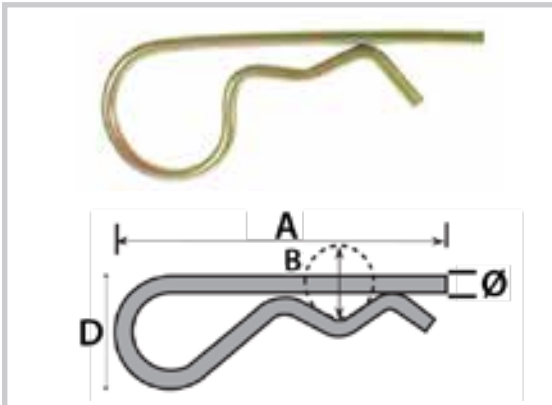
## Linch Pins



A	B	Ø	Part No Bulk (x50)	Part No Display Pack (x 2)
45mm	40mm	6mm	MP420B	MP420
45mm	40mm	8mm	MP4208B	-
45mm	40mm	10mm	MP421B	-

- Zinc plated finish

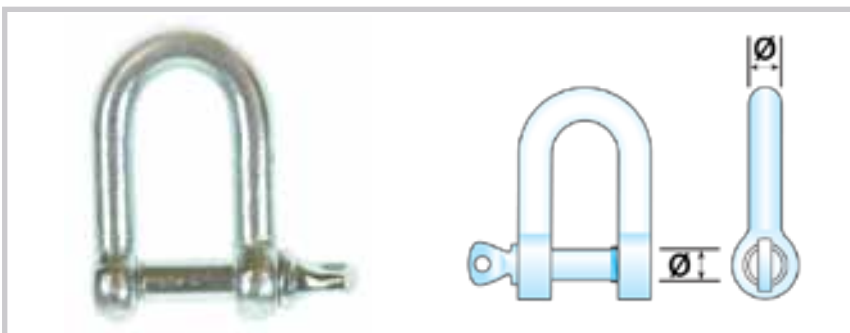
## R-Clips



A	B	Ø	D	Part No Bulk Pack (x10)
64mm	10-18mm	3mm	21mm	MP83403
76mm	12-22mm	4mm	28mm	MP83404
100mm	16-27mm	5mm	33mm	MP83405

- Zinc plated finish

## D-Shackles



Ø	Part No Bulk (x10)
6mm	MP8336B
8mm	MP8338B
10mm	MP833B

- Zinc plated finish

# Winches

## Heavy Duty Safety Winches for Commercial & Private Use



MP14412/14416



MP14420/14425

- Ideal for pulling and lifting. MP14420 & MP14425 is a heavy duty construction for pulling and lifting heavy loads
- Integral clutch brake automatically holds load in place
- **Handle will never spin freely and cause injury**
- Drum capacity 20m x 5mm cable (MP14416 & MP14412)
- Drum capacity 25m x 6mm cable (MP14420 & MP14425)
- 500 hour red-rust-resistant plating
- With quick-release removable handle and solid gears
- Ideal for marine use
- CE Approved
- Accessories available

Max. rolling load  
on a 30% gradient  
and a good surface.  
Example Line pull  
(900Kg) x 2.6 =  
2340Kg

### Recommended for:

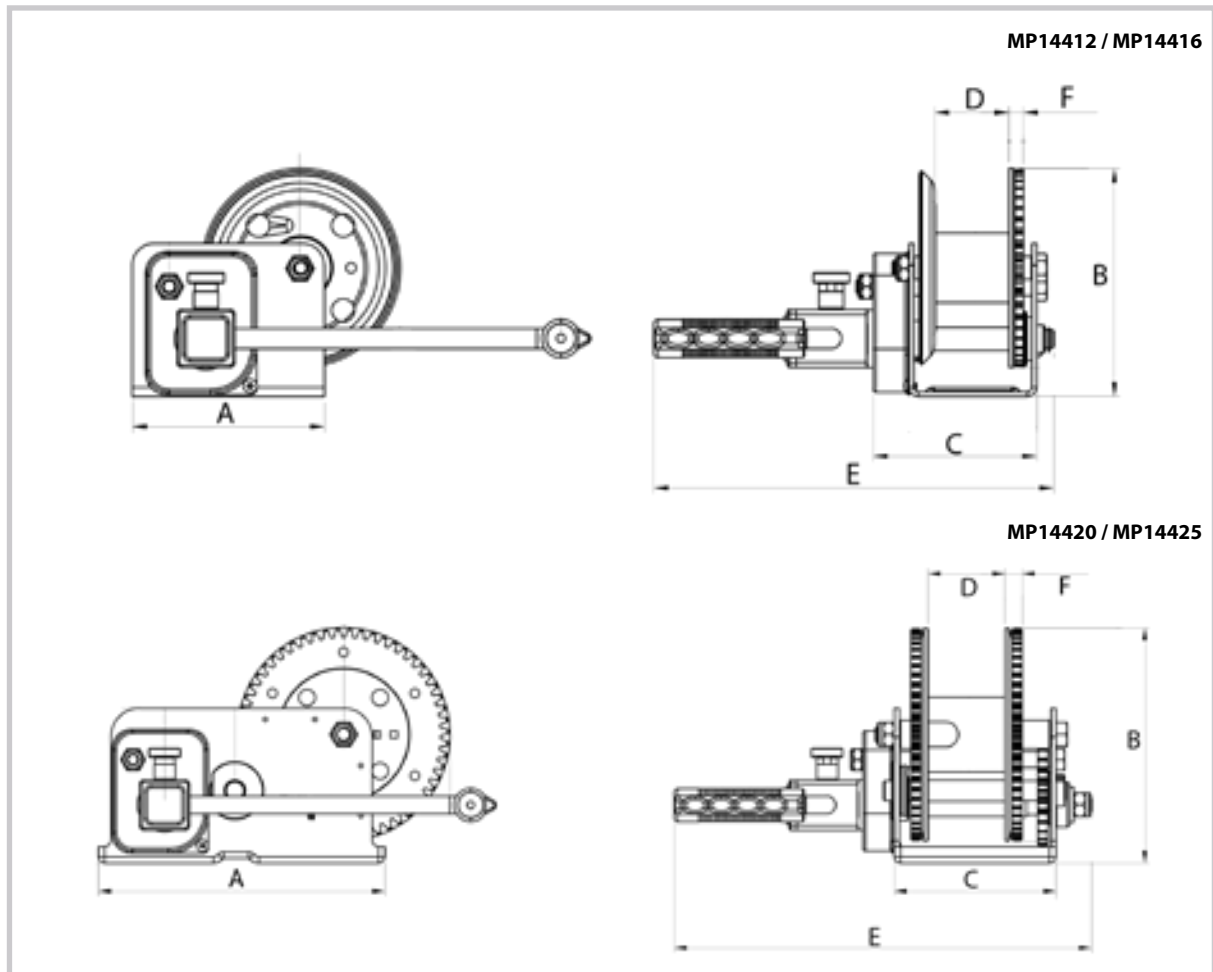


Scan the code to watch the video



# Winches

Code	CE Rated Working Capacity	Max Rolling Load (30% / 17° incline)	Manufacturer's Recommended Max. Capacity	Speeds	Gear Ratio	Mechanical Advantage	Operating Force Required	Drive Gear
MP14412	320kg	835kg	545kg / 1200LB	1	4.1:1	31:1	15.87kg	Single
MP14416	420kg	1096kg	727kg / 1600LB	1	4.1:1	31:1	21.17kg	Single
MP14420	500kg	1305kg	900kg / 2000LB	1	13.3:1	104.8:1	7.81kg	Dual
MP14425	625kg	1631kg	1100kg / 2500LB	1	13.3:1	104.8:1	9.54kg	Dual



Dimensions						
Code	A	B	C	D	E	F
MP14412	133	157.6	114	53.6	279	11.4
MP14416	133	157.6	114	53.6	279	11.4
MP14420	230	184	131	66	292	300
MP14425	230	184	131	66	292	300

# Winches

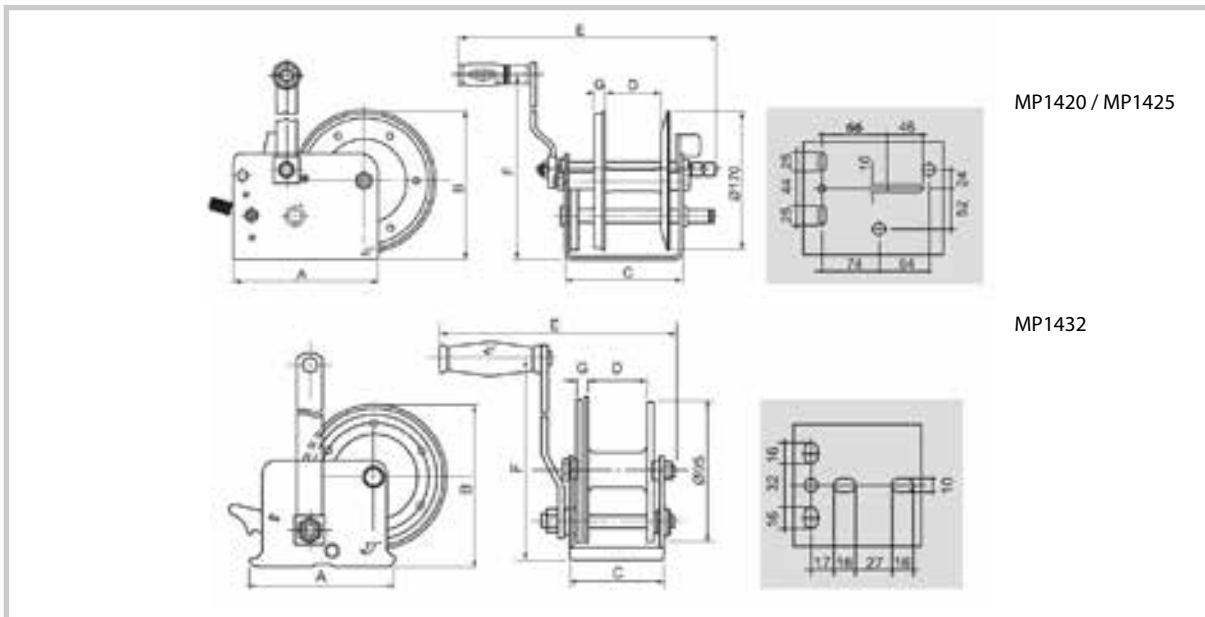
## Professional Hand Winches



- Heavy-duty construction for pulling heavy loads
- Neutral free-wheel gear position allows quick line pay-out without handle movement
- 2 speeds geared for optimal winching speed versus effort (mechanical advantage)
- Solid gear construction
- Two-way ratchet with precise gear tooth engagement
- Hand brake supplied as standard on all models
- Universal drum will accept a cable or strap (not supplied)
- 500 hour red-rust resistant plating, suitable for marine use
- Accessories and spares available
- A great alternative to Dutton Lainson and Fulton
- CE approved
- Brake supplied

Max. rolling load on a 30% gradient and a good surface.  
Example Line pull (900Kg) x 2.6 = 2340Kg

Code	CE Rated Working Capacity	Max Rolling Load	Manufacturer's Recommended Max. Capacity	Speeds	Gear Ratio	Min / Max Mechanical Advantage	Operating Force Required	Drive Gear	Finish - Salt Spray Test Red Rust Resistance
MP1420	500kg	1300kg	900kg / 2000LB	2	4.3:1 / 11.2:1	73:1 / 190:1	6.84kg / 2.63kg	Single	500 hour
MP1425	625kg	1625kg	1100kg / 2500LB	2	5.5:1 / 14.3:1	93:1 / 242:1	6.72kg / 2.58kg	Single	500 hour
MP1432	750kg	1950kg	1454kg / 3200LB	2	5.1:1 / 12.1:1	86:1 / 203:1	8.72kg / 3.69kg	Dual	500 hour

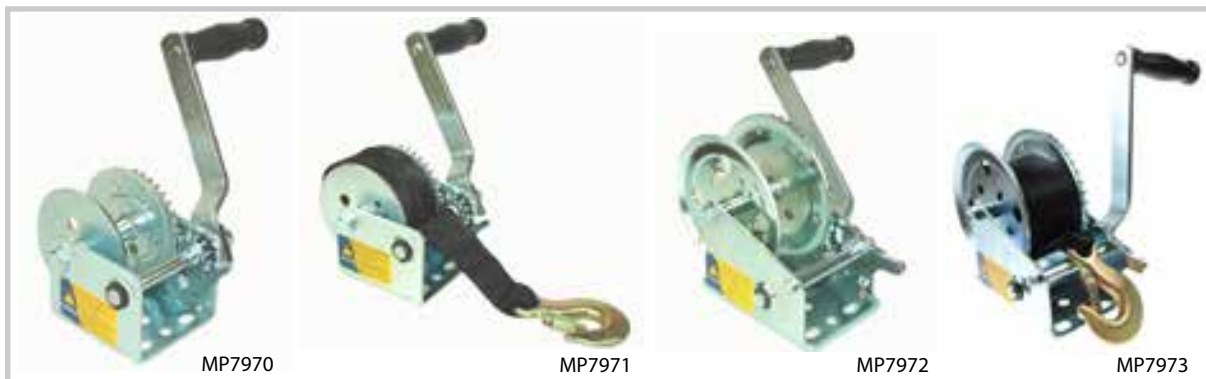


### Dimensions

Code	A	B	C	D	E	F	G	Body	Gear
MP1420	165	164	144	68	334	362	12	4.0	8.0
MP1425	180	183	145	67	334	362	14	4.5	9.0
MP1432	230	184	131	66	292	300	14	4.5	8.0

# Winches

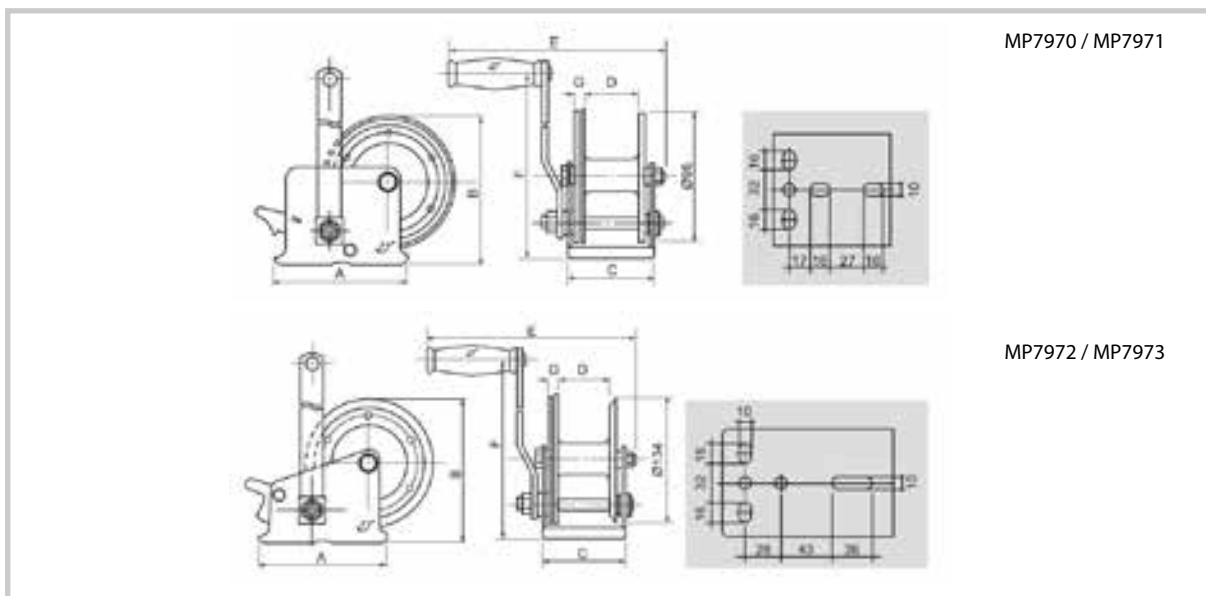
## Standard Duty Hand Winches



- Robust steel construction for durability
- All models feature a safety ratchet
- With solid gears
- Accessories and spares available
- Bright zinc plated
- CE approved
- No brake supplied

Max. rolling load  
on a 30% gradient  
and a good surface  
Example Line pull  
(900Kg)  
 $\times 2.6 = 2340\text{Kg}$

Code	CE Rated Working Capacity	Max Rolling Load	Manufacturer's Recommended Max. Capacity	Speeds	Gear Ratio	Min / Max Mechanical Advantage	Operating Force Required	Drive Gear	Strap Included
MP7970	250kg	650kg	385kg / 850LB	Single	3.1:1	42	5.95kg	Single	No
MP7971	250kg	650kg	385kg / 850LB	Single	3.1:1	42	5.95kg	Single	Yes
MP7972	320kg	832kg	545kg / 1200LB	Single	4.3:1	70	4.57kg	Single	No
MP7973	320kg	832kg	545kg / 1200LB	Single	4.3:1	70	4.57kg	Single	Yes



### Dimensions

Code	A	B	C	D	E	F	G	Body	Gear
MP7970	95	104	89	50	230	205	11	3.2	7.0
MP7971	95	104	89	50	230	205	11	3.2	7.0
MP7972	138	153	89	52	240	223	10	3.0	7.0
MP7973	138	153	89	52	240	223	10	3.0	7.0



# Winches

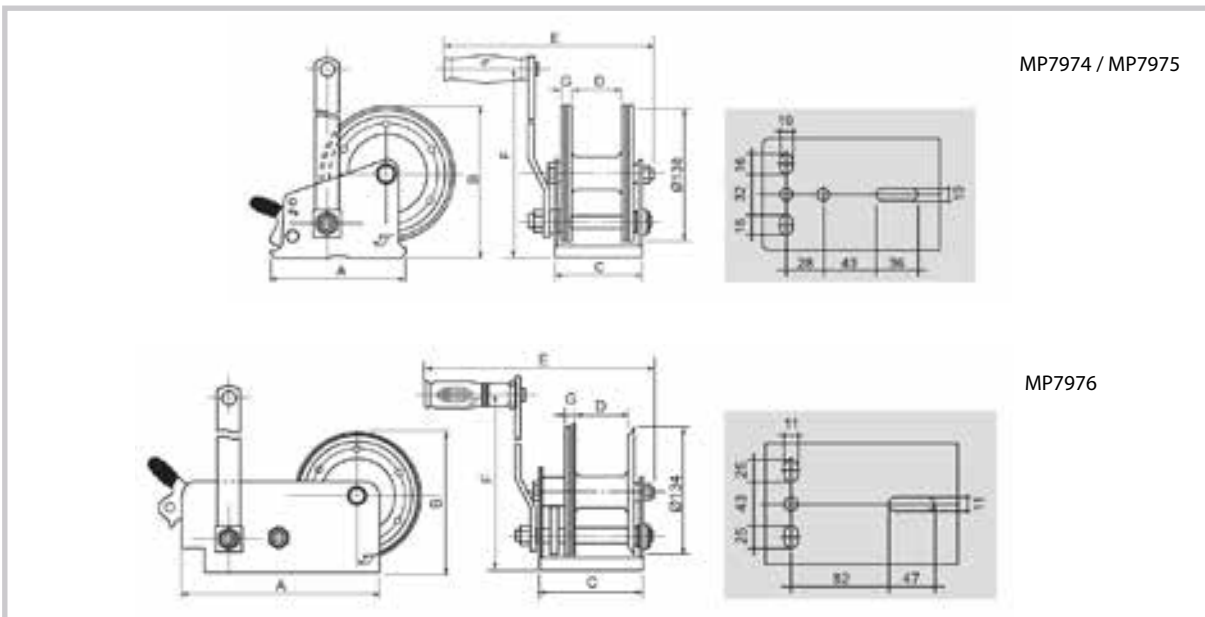
## Heavy Duty Hand Winches



- Robust steel construction for durability
- All models feature a safety ratchet
- With solid gears
- Accessories and spares available
- Bright zinc plated
- CE approved
- \*Supplied with snap-on handle

Max. rolling load on a 30% gradient and a good surface  
 Example Line pull (900Kg)  
 $\times 2.6 = 2340\text{Kg}$

Code	CE Rated Working Capacity	Max Rolling Load	Manufacturer's Recommended Max. Capacity	Speeds	Gear Ratio	Min / Max Mechanical Advantage	Operating Force Required	Drive Gear	Brake Supplied	Strap Included
MP7974	500kg	1300kg	900kg / 2000LB	Single	4.3:1	70	7.14kg	Dual	No	No
MP7975	500kg	1300kg	900kg / 2000LB	Single	4.3:1	70	7.14kg	Dual	No	Yes
MP7976*	625kg	1625kg	1100kg / 2500LB	2	5.5:1 / 14.3:1	92:1 / 240:1	6.79kg / 2.60kg	Single	Yes	No



Dimensions									
Code	A	B	C	D	E	F	G	Body	Gear
MP7974	138	153	89	51	242	223	11	4.0	7.0
MP7975	138	153	89	51	242	223	11	4.0	7.0
MP7976	198	185	131	67	298	229	14	4.5	9.0

## Hand Winch Accessories



Code	Accessory	Suitable For	Dimensions	Breaking Strain	Fittings Supplied
<b>MP79705</b>	Polyester winch strap	MP7970 & MP7971	50mm width x 4.5m (15') length	1500kg	Forged hook & fixing kit
<b>MP79755</b>	Polyester winch strap	MP7972 - MP7975	50mm width x 6m (20') length	1500kg	Forged hook & fixing kit
<b>MP109</b>	Polyester winch strap		50mm width x 7m (23') length	1500kg	Forged hook without fixings
<b>MP1455</b>	Polyester winch strap	MP1420, MP1425, MP1432, MP7976	63mm width x 8m (26') length	2300kg	Forged hook & fixing kit
<b>MP1450</b>	Steel winch strap	MP1420, MP1425, MP432, MP7974, MP7975, MP7976	6mm diameter x 8m (26') length	2400kg	Forged hook & fixing kit
<b>MP79750</b>	Steel winch cable	MP7974, MP7975 MP7976	5mm diameter x 6m (20') length		Forged hook & fixing kit

## Hand Winch Replacement Parts

### FOR TRAILER HAND WINCHES

	Code
Handle for MP7970 / MP7971	<b>MP79711</b>
Pawl spring for MP7970 / MP7971	<b>MP79712</b>
Handle for MP7972 - MP7975	<b>MP79721</b>
Pawl spring for MP7972 / MP7973	<b>MP79722</b>
Pawl spring for MP7974 / MP7975	<b>MP79742</b>
Handle for MP7976	<b>MP79761</b>
Pawl spring for MP7976	<b>MP79762</b>

### FOR PROFESSIONAL HAND WINCHES

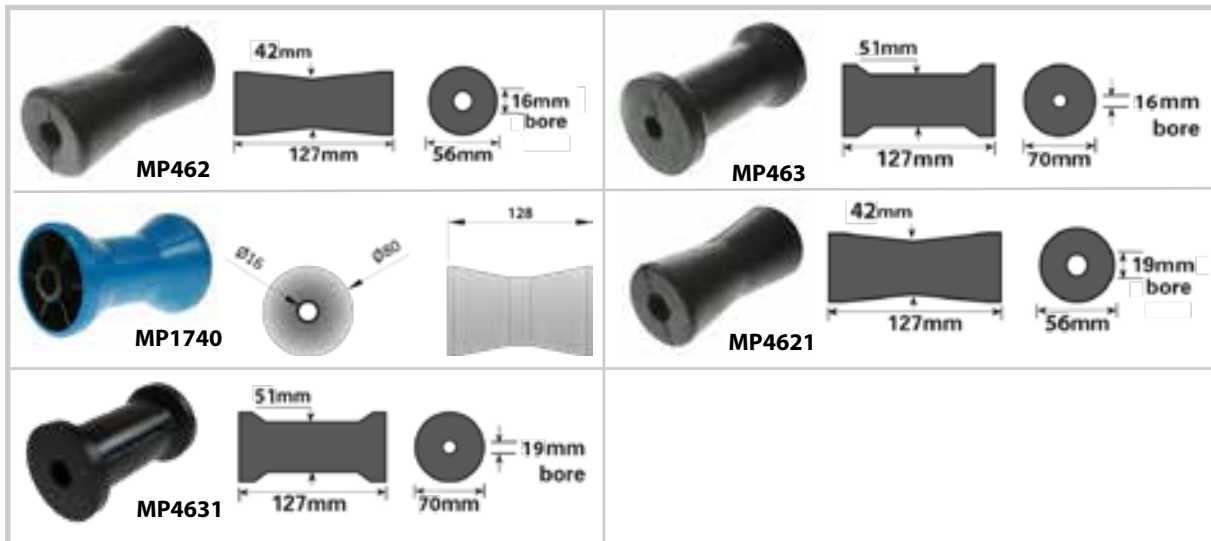
	Code
Handle assembly for MP1420 / MP1425	<b>MP14201</b>
Pawl spring for MP1420 / MP1425	<b>MP14202</b>
Pawl spring kit for MP1420 / MP1425	<b>MP14205</b>
Handle assembly for MP1432	<b>MP14321</b>

# Boat Trailer Rollers & Brackets

All our boat rollers and blocks are made from long-lasting, non-marking polyurethane (unless otherwise stated). This means they don't create the unsightly black marks on a boat's hull that some rubber products can leave.

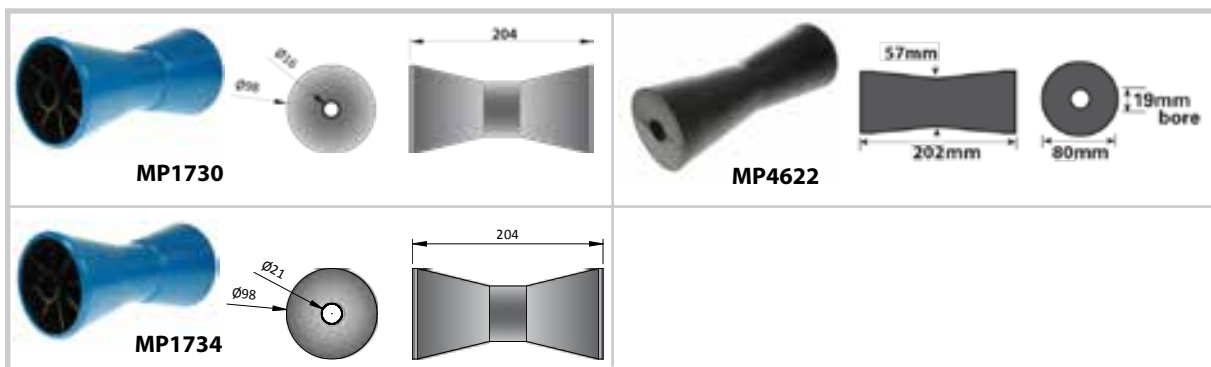
## Keel Rollers

### 5" KEEL ROLLERS



Dimensions (mm)								
Style	Colour	Width	Min Diameter	Max Diameter	Bore Diameter	Weight (g)	Fits Bracket	Code (each)
V Keel	Black	127	42	56	16	280	MP470	<b>MP462</b>
Flat Keel	Black	127	51	70	16	380	MP470	<b>MP463</b>
Flat Keel	Blue	128	52	80	16	220	MP470 & MP17405	<b>MP1740</b>
V Keel	Black	127	42	56	19	270	MP4701	<b>MP4621</b>
Flat Keel	Black	127	51	70	19	370	MP4701	<b>MP4631</b>

### 8" KEEL ROLLERS



Dimensions (mm)								
Style	Colour	Width	Min Diameter	Max Diameter	Bore Diameter	Weight (g)	Fits Bracket	Code (each)
V Keel	Blue	204	60	98	16	510	MP17305	<b>MP1730</b>
V Keel	Black	202	57	80	19	810	MP4703	<b>MP4622</b>
V Keel	Blue	204	60	98	21	480	MP17345	<b>MP1734</b>

# Boat Trailer Rollers & Brackets

## Keel Roller Brackets

All our boat roller brackets are made from clear zinc plated heavy duty 50x6mm steel strip and solid bar spindles, all designed for most rugged applications. These brackets may be fitted to the trailer with M10 fixings through the slots provided, hole centres 66-81mm.

### 5" KEEL ROLLER BRACKETS

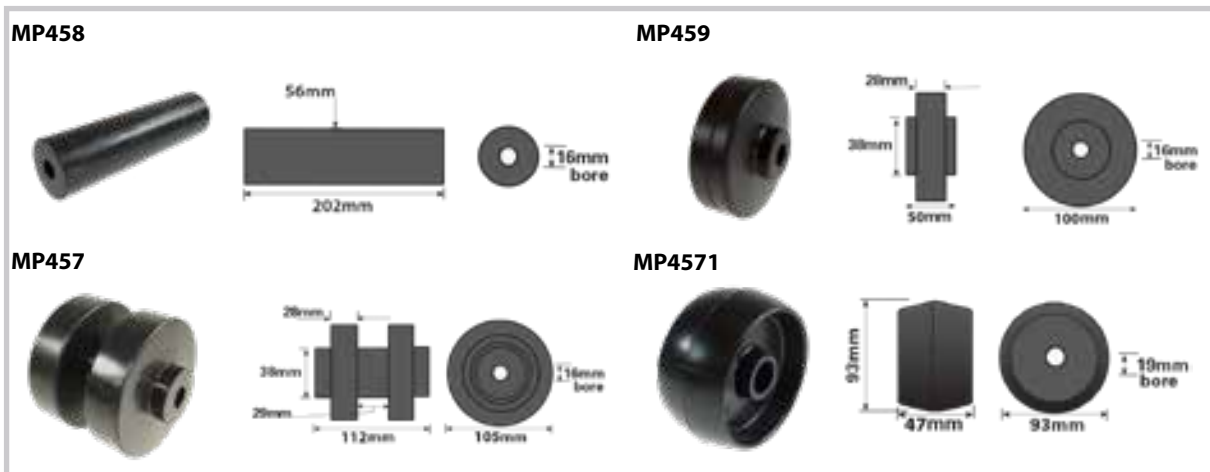
Spindle Diameter (D)	Max Internal Width	Overall Height (H)	Max Roller Diameter	Dimensions (mm)		
				For Rollers	Code (each)	Replacement Spindle Code (each)
16	135	72	80	MP462 MP463 MP1740	<b>MP470</b>	MP47001
19	135	72	80	MP4621 MP4631	<b>MP4701</b>	MP47002

### 8" KEEL ROLLER BRACKETS

Spindle Diameter (D)	Max Internal Width	Overall Height (H)	Max Roller Diameter	Dimensions (mm)		
				For Rollers	Code (each)	Replacement Spindle Code (each)
15	209	90	98	MP1730	<b>MP17305</b>	-
19	209	72	80	MP4622	<b>MP4703</b>	MP47008
20	209	90	98	MP1734	<b>MP17345</b>	-
				MP1740	<b>MP17405</b>	-

Note: Replacement spindles are supplied with 2 washers and 2 cotter pins

## Side Rollers

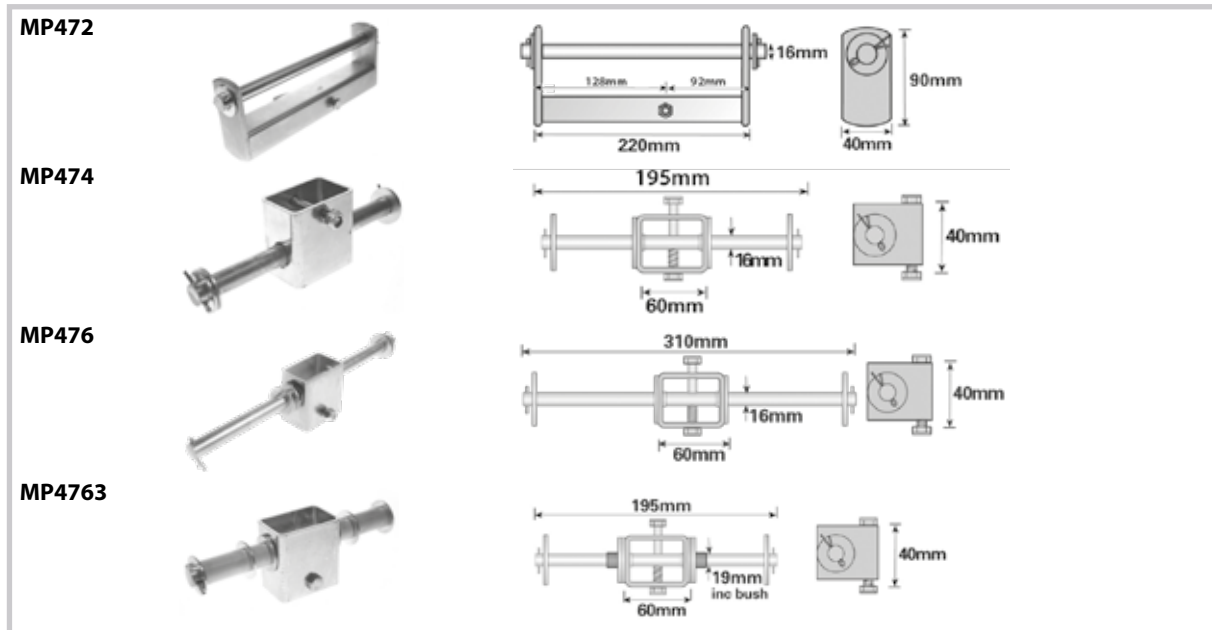


Style	Colour	Dimensions (mm)			Weight (g)	Fits Bracket	Code (each)
		Width	Diameter	Bore Diameter			
8" Parallel	Black	202	56	16	570	MP472	<b>MP458</b>
Single	Black	50	100	16	330	MP474	<b>MP459</b>
Double	Black	112	105	16	760	MP476	<b>MP457</b>
Castor	Black	47	93	19	210	MP4763	<b>MP4571</b>

# Boat Trailer Rollers & Brackets

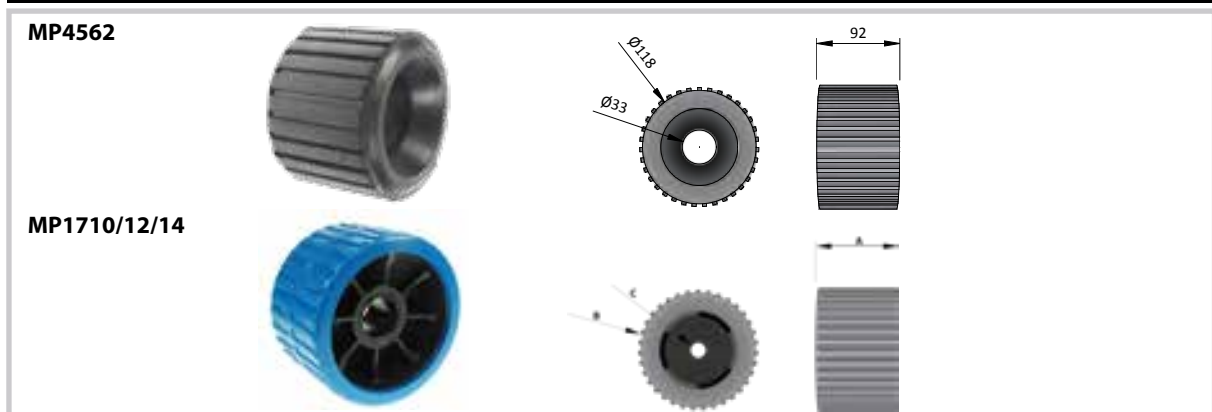
## Side Roller Brackets

All our side roller brackets are made from clear zinc plated heavy duty steel with solid bar spindles, all designed for the most rugged applications. All are supplied with washers, cotter pins and an M8 x 50 high tensile bolt and nyloc nut for fitting to the corresponding stem.



Style	Dimensions (mm)			Applications		
	Spindle Diameter	Max Internal Width	Max Roller Diameter	For Roller(s)	For Stem Posts	Code (each)
8" Parallel	16	209	62	MP458 x 1	MP473 & MP477	<b>MP472</b>
Single Side	16	120	N/A	MP459 x 2	MP473 & MP477	<b>MP474</b>
Double Side	16	225	N/A	MP457 x 2	MP473 & MP477	<b>MP476</b>
Castor	19	120	N/A	MP4571 x 2	MP473 & MP477	<b>MP4763</b>

## Ribbed Wobble Rollers

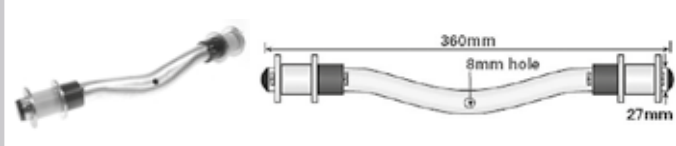

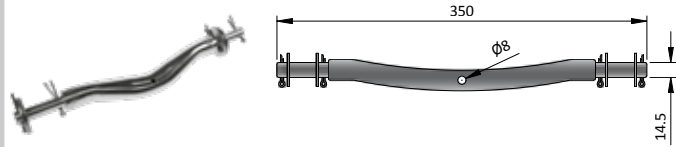
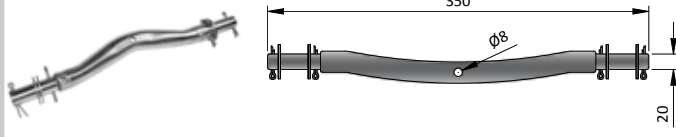
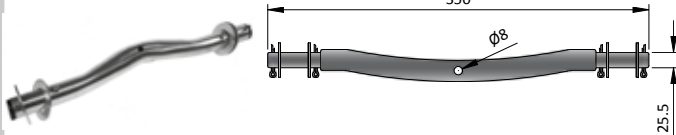


Colour	Dimensions (mm)				Weight (g)	Fits Bracket	Code (each)
	Max Width (A)	Bore Depth	Diameter (B)	Min Bore Diameter (C)			
Black	92	31	118	33	920	MP456 & MP4563	<b>MP4562</b>
Blue	73	38	120	15	430	MP17105	<b>MP1710</b>
Blue	73	38	120	19	425	MP17125	<b>MP1712</b>
Blue	73	38	120	26.5	420	MP17145	<b>MP1714</b>

# Boat Trailer Rollers & Brackets



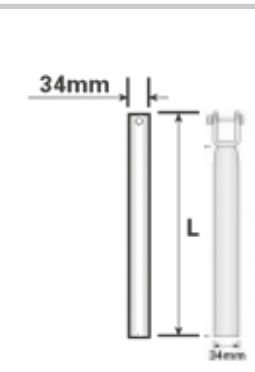
## Ribbed Wobble Roller Brackets

All our wobble roller brackets are made from clear zinc plated heavy duty steel tube. They are supplied with washers & cotter pins and include a mounting hole for the M8 x 40 high tensile bolt & nyloc nut in the corresponding stem MP4561.

Dimensions (mm)			
Spindle Diameter	Max Bore Length	For Roller	Code (each)
	360mm 8mm hole 27mm	MP4562 x 2	<b>MP456</b>
	310mm 8mm hole 27mm	MP4562 x 2	<b>MP4563</b>
	350 14.5 8mm hole	MP1710 x 2	<b>MP17105</b>
	350 20 8mm hole	MP1712 x 2	<b>MP17125</b>
	350 25.5 8mm hole	MP1714 x 2	<b>MP17145</b>

## Stem Posts for Channel, Side & Wobble Roller Brackets

Our stem posts are made from 34 x 2.5mm clear zinc plated tube. Side roller stems have a mounting hole for the M8 high tensile bolt included in our side roller brackets. The wobble roller stem is fitted with an M8 x 40mm high tensile bolt which fits all our wobble roller brackets.

Dimensions (mm)			
Overall Length (L)	Application	For Use With Clamp	Code (each)
	Side roller & channel brackets	MP222 MP223	<b>MP477</b>
	Side roller & channel brackets	MP222 MP223	<b>MP473</b>
	Wobble roller brackets	MP222 MP223	<b>MP4561</b>

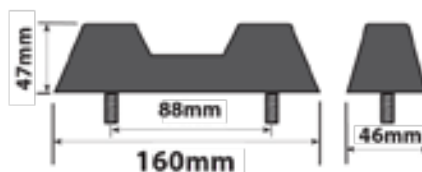
Side Roller & Channel Bracket Stem      Wobble Roller Stem



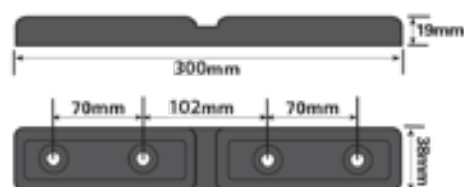
# Boat Trailer Buffers & Blocks

## Buffers & Other Blocks

MP450



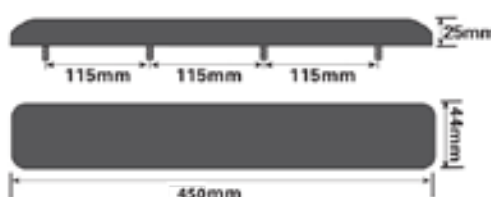
MP451



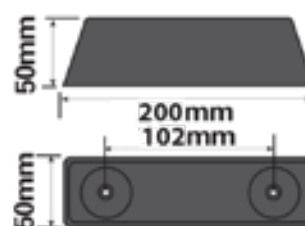
MP452



MP454



MP453

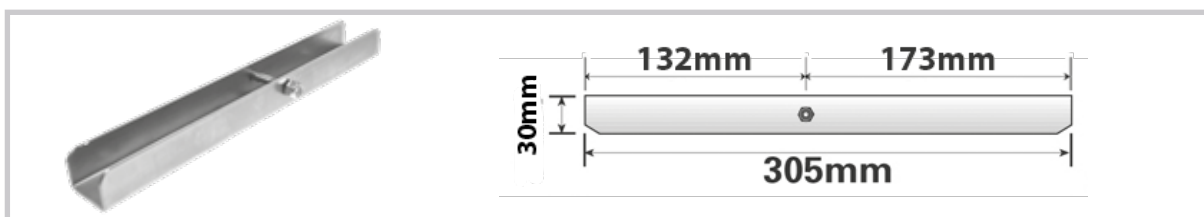


### Dimensions (mm)

Style	Colour	Overall Width	Depth	Height	Holes / Fixings	Hole / Stud Centres	Weight (g)	Code (each)
Keel Block	Black	160	46	47	2 x M10 studs	88	380	<b>MP450</b>
Snubber Block	Black	300	38	19	4 x 8mm holes	69, 102, 69	170	<b>MP451</b>
Side Buffer (fits MP471 channel bracket)	Black	300	43	27	2 x M8 studs	227	460	<b>MP452</b>
Side Buffer (Rubber)	Black	450	44	25	4 x M8 studs	115	720	<b>MP454</b>
Buffer Block (Rubber)	Black	200	50	50	2 x 13mm holes	102	480	<b>MP453</b>

# Buffers & Stem Posts

## Side Buffer Channel Bracket



Note: Bracket is supplied with an M8 x 50 high tensile bolt & nyloc nut for fitting to the corresponding stem.

Dimensions (mm)						
Overall Length	Height	Holes	Hole Centres	Application	For Stems	Code (each)
305	30	2 x 8mm side buffer mounting holes	227	Side Buffer Block (MP452)	MP473 & MP477	<b>MP471</b>

## Bow Snubber Blocks



Dimensions (mm)								
Style	Colour	Overall Width	Base Width	Depth	Height	Bore Diameter	Weight (g)	Code (each)
Bow Snubber	Black	115	75	75	95	22	500	<b>MP170</b>
Bow Snubber	Blue	150	75	69	80	12	170	<b>MP1720</b>

## Trailer Winch Post



- Easily fitted and suitable for most small boat trailers
- Compatible with most small hand winches
- Incorporates a height-adjustable mounting bracket with 19mm diameter solid spindle for fitting a bow snubber (MP170, not supplied)
- A U-bolt & plate are supplied for mounting the bow snubber bracket to the main upright
- Main upright is constructed from heavy duty 40x60mm tube
- Overall height when fitted 45cm (foot to winch mounting plate)
- Foot print 50x150mm (foot plate constructed from 50x6mm strip)
- Winch mounting plate dimensions 60x118mm
- Winch mounting plate has 1 x M10 mounting stud & 1 x 10mm slot (mounting centres are 69-84mm)
- Clear zinc plated finish

Code (Each)
<b>MP796</b>

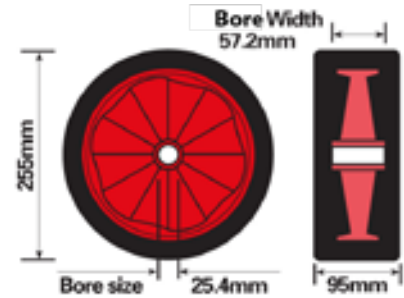
# Launch Trolley Wheels

## Launch Trolley Wheels

### 10" (255mm) SAND HOPPER LAUNCH TROLLEY WHEEL

- Solid rubber tyre. Width 3 3/4" (95mm)
- Polypropylene centre
- 1" (25.4mm) plain bore

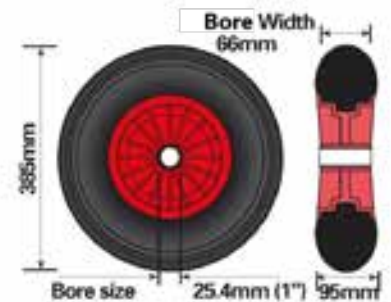
Box Qty	Code (Each)
10	<b>MP416</b>



### 15" (385mm) LAUNCH TROLLEY WHEEL

- Pneumatic tyre. Width 3 3/4" (95mm)
- Polypropylene centre
- 1" (25.4mm) plain bore

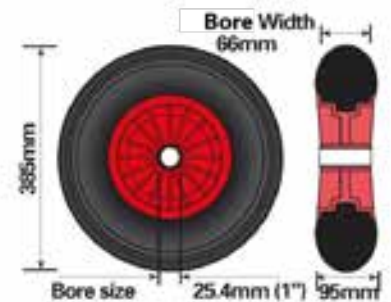
Box Qty	Code (Each)
5	<b>MP417</b>



### 15" (385mm) PUNCTURE PROOF LAUNCH TROLLEY WHEEL

- Puncture proof polyurethane tyre
- Polypropylene centre
- 1" (25.4mm) plain bore

Box Qty	Code (Each)
5	<b>MP4175</b>



## Why buy from the Maypole trailer range?

- Fully type approved, with Certificate of Conformity & VIN plate
- Supplied flat-packed and easy to assemble with simple instructions
- Maintenance-free rubber suspension
- Robust, corrosion resistant galvanised steel construction
- Recessed lights and hinged tailgates
- Extensive range of accessories and spares
- Full manufacturer's warranty and technical support
- Manufactured in Europe



## ACCESSORIES

We have an extensive range of accessories suitable for Maypole and Erde trailers. The part numbers are listed under each trailer, starting on page 73.

### FLAT COVER

- Made from durable reinforced pvc material
- Protects trailer contents from the weather
- Helps secure the load in place
- Easy elasticated cord fitment



### HIGH 30CM COVER & FRAME

- Durable tubular steel frame with reinforced pvc cover
- Very easy to assemble and fit
- The most economic way to double load space in the trailer



### LOCKABLE ABS HARD COVER

- Keeps load secure and deters theft
- Can be fitted directly to the trailer sides or high side kit
- Integral gas strut keeps lid open during loading



# Trailers & Accessories

## MESH SIDE EXTENSION KIT AND COVER

- Heavy duty galvanised steel mesh side extension kit doubles the trailer's load space
- Durable reinforced pvc cover protects trailer contents from the weather
- Mesh kit and cover are easily fitted and secured with bolts and elasticated cords provided



## LADDER RACK

- Heavy duty galvanised steel construction
- Easily fitted with bolts supplied



## UNIVERSAL LOAD BARS

- Easily fitted directly to the trailer side panels or High Side Extension Kits



## UNIVERSAL LOAD BARS FOR LOCKABLE ABS HARD COVERS

- Can be fitted to all our range of ABS hard covers



**For our full range of spares please visit our website [www.maypole.ltd.uk](http://www.maypole.ltd.uk) and search for Maypole Trailers**



# Trailers

## Motorbike Trailer



Code	Gross Weight (kg)	External Body Dimensions (cm)	Internal Body Dimensions (cm)	Unladen Weight (kg)	Suitable for Transporting	Load Weight Capacity (kg)	Cartons Per Trailer
MP6805	300	245x145x78	200x112	60	1 Motorbike	240	1

## SPARES AND ACCESSORIES



Description	Code
Loading Ramp	MP68052
Motorbike Tie Down Kit	MP68054
Spare Wheel - 400 x 10	MP68152



# Trailers

## 1.1m Leisure Trailer

Pallet quantity 6



Code	Gross Weight (kg)	External Body Dimensions (cm)	Internal Body Dimensions (cm)	Unladen Weight (kg)	Load Space Area (m2)	Load Space Volume (m3)	Load Weight Capacity (kg)	Cartons Per Trailer
<b>MP6810</b>	300	110x90x38	105x85x32	55	0.89	0.29	245	2

## SPARES AND ACCESSORIES

Description	Also Fits	Code
Spare Wheel - 350 x 8	-	<b>MP68102</b>
Flat Cover	Erde 102, MP711	<b>MP68101</b>
Mesh Side Extension Kit (440mm)	Erde 102	<b>MP68105</b>
Mesh Side Extension Kit Cover (440mm)	Erde 102	<b>MP68106</b>
High 30cm Cover & Frame	Erde 102	<b>MP68108</b>
Universal Load Bars	Erde 102	<b>MP68107</b>
Ladder Rack	Erde 102, MP711	<b>MP68109</b>

# Trailers

## 1.25m Leisure Trailer

Pallet quantity 6



Code	Gross Weight (kg)	External Body Dimensions (cm)	Internal Body Dimensions (cm)	Unladen Weight (kg)	Load Space Area (m2)	Load Space (m3)	Load Weight Capacity (kg)	Cartons Per Trailer
<b>MP6812</b>	400	125x97x41	120x92x35	63	1.10	0.39	337	2

## SPARES AND ACCESSORIES

Description	Also Fits	Code
Spare Wheel - 400 x 8	-	<b>MP68122</b>
Flat Cover	Erde 122, MP712	<b>MP68121</b>
Mesh Side Extension Kit (440mm)	Erde 122	<b>MP68125</b>
Mesh Side Extension Kit Cover (440mm)	Erde 122	<b>MP68126</b>
Lockable ABS Hard Cover	Erde 122	<b>MP68124</b>
Universal Load Bars for ABS Hard Cover	Erde 122 Hard Cover	<b>MP68127</b>
High 30cm Cover & Frame	Erde 122	<b>MP68128</b>
Universal Load Bars	Erde 122	<b>MP68107</b>
Ladder Rack	Erde 122, MP712	<b>MP68109</b>

# Trailers

## 1.5m Leisure & DIY Trailer

Pallet quantity 6



Code	Gross Weight (kg)	External Body Dimensions (cm)	Internal Body Dimensions (cm)	Unladen Weight (kg)	Load Space Area (m2)	Load Space (m3)	Load Weight Capacity (kg)	Cartons Per Trailer
<b>MP6815</b>	499	150x105x40	145x100x32	75	1.45	0.46	424	2

## SPARES AND ACCESSORIES

Description	Also Fits	Code
Spare Wheel - 400 x 10	-	<b>MP68152</b>
Flat Cover	Erde 143 & 153	<b>MP68151</b>
Mesh Side Extension Kit (600mm)	Erde 143 & 153	<b>MP68155</b>
Mesh Side Extension Kit Cover (600mm)	Erde 143 & 153	<b>MP68156</b>
Mesh Side Extension Kit (400mm)	Erde 143 & 153	<b>MP68157</b>
Mesh Side Extension Kit Cover (400mm)	Erde 143 & 153	<b>MP68159</b>
Lockable ABS Hard Cover	Erde 143 & 153	<b>MP68154</b>
Universal Load Bars for ABS Hard Cover	Erde 143 + 153 Hard Cover	<b>MP68127</b>
High 30cm Cover & Frame	Erde 143 & 153	<b>MP68158</b>
Universal Load Bars	Erde 143 & 153	<b>MP68107</b>
Ladder Rack	Erde 143 & 153	<b>MP68109</b>

# Trailers

## 1.9m Leisure & DIY Trailer

Pallet quantity 4



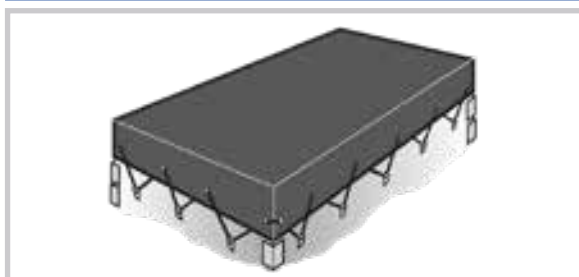
Code	Gross Weight (kg)	External Body Dimensions (cm)	Internal Body Dimensions (cm)	Unladen Weight (kg)	Load Space Area (m2)	Load Space (m3)	Load Weight Capacity (kg)	Cartons Per Trailer
<b>MP6819</b>	499	191x121x40	186x116x32	130	2.16	0.69	369	3 + Axle

## SPARES AND ACCESSORIES

Description	Also Fits	Code
Spare Wheel - 135 R13	-	<b>MP68192</b>
Flat Cover	Erde 193, 193F, 194	<b>MP68191</b>
Mesh Side Extension Kit (600mm)	Erde 193, 193F, 194	<b>MP68195</b>
Mesh Side Extension Kit Cover (600mm)	Erde 193, 193F, 194	<b>MP68196</b>
Lockable ABS Hard Cover	Erde 193, 193F, 194	<b>MP68194</b>
Universal Load Bars for ABS Hard Cover		<b>MP68127</b>
High 30cm Cover & Frame	Erde 193, 193F, 194	<b>MP68198</b>
Universal Load Bars	Erde 193, 193F, 194	<b>MP68107</b>

## Universal Trailer Covers

### UNIVERSAL TRAILER COVERS



Size	Code
122 x 91cm (4'x3')	<b>MP927</b>
152 x 91cm (5'x3')	<b>MP928</b>
183 x 122cm (6'x4')	<b>MP929</b>

- Leather cloth
- Elasticated fixing strap

# Trailer Accessories

## SPARE TRAILER WHEEL COVERS



Size	Code
Small 406mm (16") dia for 8" rim	<b>MP94708</b>
Medium 508mm (20") dia for 10" rim	<b>MP94710</b>
Large 610mm (24") dia for 13" rim	<b>MP94713</b>

- Protects spare wheel
- Easy to fit with elasticated band

## ELASTICATED CARGO NETS



Size	Code
0.9m x 1.5m x 16cm (3x5')	<b>MP71102</b>
1.3m x 1.8m x 16cm (4x6')	<b>MP71103</b>

- Removable heavy duty plastic hooks
- Knotted 4mm elasticated cord
- Ideal for securing bulky loads in trailers, pick-ups & roof racks etc

## HEAVY DUTY TRAILER CARGO NETS



Size	Code
For Trailers Up To 1.5m x 1.05m (approx. 4'x3') MP6810/MP6812/MP6815/Erde 102/122/143/153	<b>MP71202</b>
For Trailers, Pick Ups & Skips Up To 1.9m x 1.2m (approx. 6'x4') MP6816/MP6819/Erde 163/193	<b>MP71203</b>
For Trailers, Pick Ups & Skips Up To 2.1m x 1.4m (approx. 6'x4') Erde 213	<b>MP71204</b>

- Ideal for securing bulky loads in trailers & pick-ups etc
- Elasticated tie-down cord, easily fitted to hooks & cleats
- Strong & durable construction
- Knotted fray-resistant 4mm polypropylene cord
- 45mm mesh with reinforced edges

## HORSEBOX COVER



Size	Code
3.3m to 3.7m length	<b>MP6595</b>

- Manufactured to the same high specification as our caravan, motorhome and camper van cover ranges
- Elasticated hem gives a tailored fit over a range of horse box sizes including Ifor Williams HB-506 & HB-511
- Heavy duty 4-ply non-woven polypropylene fabric is UV stable, breathable and highly water-resistant, giving excellent protection from the elements
- Nylon straps secure the cover firmly in place
- 2 zip openings allow easy fitting and also gives access to the front loading ramp and groom's door (on either side) when the cover is fitted
- Colour co-ordinated hitch cover included
- Handy storage bag for when not in use
- Fitting and care instructions included
- Protects against: UV rays, rain & wind, smog & dust, snow & ice, birds and leaves



## Trailer Hitchlocks

### STRONGHOLD HITCHLOCK FOR ALKO HITCHES

- Unique high security patented locking system
- Fits a wide range of ALKO hitches including: AK130, AK160, AKS1300, AKS2004 and AKS3004
- Can be used when a car and caravan are parked coupled together to provide security in both hitched or unhitched situations
- Approved to Sold Secure Gold standard
- VbV/SCM MP03 Approved in the Netherlands
- Once fitted, the hitchlock prevents the handle from moving so it cannot be unhitched or hitched to another vehicle
- Fitted in under 10 seconds, scan the QR code for video
- The robust high visibility yellow steel casing with anti-saw features covers the fixing bolts of the hitch to protect it from being stolen
- Water and corrosion resistant
- High security pick-free locks have thousands of possible key combinations and are supplied with 3 keys, plus a key identity tag
- Storage bag included
- Retail friendly packaging in a modern design



Scan the QR code to watch the fitting video



#### KIT CONTENTS:

Hitchlock cover  
 Locking bolt body  
 Locking bolt lock holder with three keys  
 Security ball  
 Storage bag  
 Fitting instructions and warranty card

Weight	Box Qty	Code (Each)
3Kg	4	SH5412





## STRONGHOLD HITCHLOCK FOR AVONRIDE HITCHES

- Fits most 50mm Avonride cast heads from 1400Kg - 3500Kg including: 575003, 575004, 575005, 575008
- Provides security for a car and trailer when they are parked coupled together e.g. motorway services (note - for safety reasons this product is not recommended for use while towing)
- Allows use of Avonride integral lock
- Approved to Sold Secure Gold standard for trailers
- VbV/SCM MP03 approved in the Netherlands
- Weighing only 4.5Kg it is easily fitted, hitched or unhitched
- Fitted in under 10 seconds, scan the QR code for video
- The robust yellow steel casing with anti-saw features covers the fixing bolts of the hitch to protect it from being stolen
- Water and corrosion proof
- Unique high security patented locking system
- High security pick-free locks have thousands of possible key combinations and are supplied with 3 keys, plus a key identity tag
- Retail friendly packaging in a modern design



Scan the QR code to watch the fitting video



### KIT CONTENTS:

- Hitchlock cover
- Locking bolt body
- Locking bolt lock holder with three keys
- High security plastic hitch ball
- Fitting instructions and warranty card

Weight	Box Qty	Code (Each)
4.5kg	4	SH5415



## STRONGHOLD HITCHLOCK FOR BRADLEY AUTOHEAD HITCHES

- Fits HU3, HU12 and D201C Bradley Autohead Hitches
- Bradley Autohead Hitches are widely used on plant trailers
- Approved to Sold Secure Gold standard for caravans and trailers
- Weighing only 4.3Kg it is easily fitted, hitched or unhitched
- Fitted in under 10 seconds, scan the QR code for video
- Water and corrosion proof
- Unique high security patented locking system
- High security pick-free locks have thousands of possible key combinations and are supplied with 3 keys, plus a key identity tag
- Retail friendly plastic storage case included for when not in use



Scan the QR code to watch the fitting video



### KIT CONTENTS:

Hitchlock cover  
 Locking bolt body  
 Locking bolt lock holder with three keys  
 High security plastic hitch ball  
 Fitting instructions and warranty card

Weight	Box Qty	Code (Each)
4.3kg	4	SH5417



## STRONGHOLD 40/50MM TOWING EYE LOCK

- Fits 40 to 50mm towing eyes, commonly used on plant equipment like compressors, water bowsers etc.
- Approved to Sold Secure Gold standard for caravans and trailers
- Fitted in under 10 seconds
- Body is one piece steel construction
- Water and corrosion proof
- Unique high security patented locking system
- High security pick-free locks have thousands of possible key combinations and are supplied with 3 keys, plus a key identity tag



Scan the QR code to watch the fitting video



### KIT CONTENTS:

- 40/50mm towing eye cover
- Locking bolt body
- Locking bolt lock holder with three keys
- Fitting instructions and warranty card

Weight	Box Qty	Code (Each)
2.0kg	4	SH5420





## Trailer Wheel Clamps

### STRONGHOLD 'ATLAS' WHEEL CLAMP

- Ideal for caravans and trailers
- Fits alloy and steel wheels with tyres up to 265mm wide
- Innovative arm design allows use with steel or alloy wheels
- Prevents tow-away theft and unauthorised wheel removal
- Approved to Sold Secure Gold standard for caravans and trailers
- Insurance approved protection for your caravan
- Lightweight and compact design (under 5Kg)
- Easily fitted in around 10 seconds (excluding wheel bolts)
- Includes 2 x (M12 x 1.5) Stronghold Sold Secure Gold Approved locking wheel bolts and key (only SH5438)
- Additional locking wheelbolts available - SH7662
- SH5439 is suitable for trailers with larger wheel bolt sizes or where additional locking wheel bolts are not required
- Robust hardened steel construction
- Durable PVC coating prevents damage to wheel rims
- Painted in high visibility yellow
- Protective cap protects lock from dirt and water ingress
- High security pick-free locks have thousands of possible key combinations and are supplied with 3 keys, plus a key identity tag



Scan the QR code to watch the fitting video



#### KIT CONTENTS:

2 x M12 x 1.5 high security, Sold Secure locking wheel bolts and key (MP5438 only)  
 Front arm  
 Rear arm  
 Lock assembly and three keys  
 Lock cover  
 Fitting instructions and warranty card

Weight	Box Qty	Code (Each)
7.0kg	2	SH5438
6.5kg	2	SH5439



# Locking Wheel Bolts

## Locking Wheel Bolts

### STRONGHOLD LOCKING WHEEL BOLTS

- Stronghold THATCHAM & Sold Secure Gold Approved locking wheel bolts
- Heavy duty toughened rotary ring for extra security
- Anti-drill



	Code (Each)
M14 x 23mm x 1.5 (Pack of 4)	<b>SH7665</b>
M12 x 23mm x 1.5 (Pack of 4)	<b>SH7664</b>
M12 x 23mm x 1.5 (Pack of 2)	<b>SH7662</b>

### LOCKING WHEEL NUTS

- High security locking wheel nuts for trailers and caravans
- Supplied in a pack of 2
- Spare keys available by special order
- 3/8 UNF nuts suitable for many UK light trailers
- M10 x 1.25 nuts suitable for many Continental light trailers including Erde & Daxara to 148



	Code
3/8 UNF Nuts	<b>MP7651</b>
M10 x 1.25 Nuts	<b>MP7655</b>

### LOCKING WHEEL BOLTS

- High security locking wheel bolts for trailers and caravans
- Supplied in a pack of 2
- Spare keys available by special order
- M12 x 1.5 bolts suitable for many caravans and heavy trailers - MP7661



	Code
M12 x 1.5 Bolts	<b>MP7661</b>

## Hitchlocks

### UNIVERSAL COUPLING LOCK

- Universal coupling lock that fits most standard 50mm couplings
- Lock fits into coupling blocking access and prevents tow-away theft
- Corrosion proof
- Supplied with 2 keys



Box Qty	Code (Each)
24	MP279

### DELUXE TRAILER AND CARAVAN COUPLING LOCK

- Visible coupling lock prevents theft
- Adaptable for standard 50mm pressed steel couplings on most types of trailer
- High security brass cylinder lock
- Easy press lock fitting



Box Qty	Code (Each)
24	MP9952

### UNIVERSAL HITCHLOCK

- Fits most standard 50mm couplings
- Case hardened 12mm steel bar
- Prevents 'towaway theft'
- Supplied with two keys
- MP953B is supplied in a plain white box suitable for online retailers



Display Pack	Bulk Pack
MP953	MP953B

### COUPLING SAFE

- Steel coupling safe trailer hitch lock
- Complete with hardened steel close shackle padlock and 2 keys
- Fits most pressed steel couplings



Display Pack
MP89

### STRONGBOX HITCHLOCK

- Fits ALKO, ALBE, Winterhoff, Steelpress, Knott and many other original open handled hitch types
- Lightweight and user friendly touring or storage product
- Ideal for caravans and trailers with pressed steel couplings and light trailers
- For hitches on straight drawbar only
- Fits hitched\* or unhitched (\*Swan neck and ALKO style towballs only)
- Helps prevent parking theft when fitted hitched
- Strongbox features an anti prising lip
- High security lock with anti-drill feature
- Retail friendly plastic storage case included for when not in use



Box Qty	Code (Each)
4	MP5411



# Security - Maypole

## Trailer Wheel Clamps

### UNIVERSAL WHEEL CLAMP

- Adjustable to fit tyres 175mm to 225mm wide
- Robust steel construction for maximum protection
- Compact design for easy use and storage
- Soft PVC coating prevents wheel damage
- Supplied with 2 keys



Box Qty	Code (Each)
4	MP9075

### TRIANGULAR WHEEL CLAMPS

- Versatile heavy duty triangulation wheel clamp
- Insurance approved and independently tested
- Fully adjustable (set once only) for wheel diameter and width
- Covers wheel nuts, wheel trims and alloy wheels
- Patented design
- Electro plated arms for corrosion protection
- Robust heavy steel construction
- High security pick-free lock, dust, water and corrosion proof



#### KIT CONTENTS:

Wheel clamp top plate  
 Wheel clamp bottom plate  
 Top arm  
 Bottom arm  
 Adjuster arms  
 Lock with three keys  
 6mm allen key  
 2 x M10 x 12mm long socket screws  
 8 x M10 x 16mm long socket screws  
 Fitting instructions and warranty card

Description	Tyre Size	Tyre Width	Code (Each)
8" - 10" wheel clamp	Min: 383mm - Max: 550mm	Min: 100mm - Max: 175mm	MP5433
10" - 14" wheel clamp	Min: 450mm - Max: 690mm	Min: 155mm - Max: 205mm	MP5434
14" - 16" wheel clamp	Min: 650mm - Max: 850mm	Min: 185mm - Max: 250mm	MP5435

# Security - Maypole

## 8"-10" TRAILER WHEEL CLAMP

- Suits wheels 8"-10", with tyre width up to 140mm
- Ideal for caravans and trailers
- Can be used without removing the wheel trim
- Two security plate settings for different tyre widths
- Fitted with a rubber pad to prevent wheel damage
- Security plate prevents access to wheel nuts
- Folds for easy storage
- Supplied with 2 keys



Box Qty	Code (Each)
4	MP9061

## 13"-17" UNIVERSAL WHEEL CLAMP

- Suits wheels 13"-17", with tyre width 175mm to 215mm
- Suitable for cars and caravans
- Can be used without removing the wheel trim
- Two security plate settings for different tyre widths
- Fitted with a rubber pad to prevent wheel damage
- Security plate prevents access to wheel nuts
- Folds for easy storage
- Supplied with 2 keys



Box Qty	Code (Each)
4	MP9065

## 10"-16" HEAVY DUTY WHEEL CLAMP

- Unique design exclusive to Maypole
- Suits wheels 10"-16", with tyre width 135mm to 215mm
- Can be used without removing the wheel trim
- Fitted with a rubber pad to prevent wheel damage
- Security plate prevents access to wheel nuts
- High security, pick resistant lock, dust, water and corrosion proof
- Highly visible deterrent
- Supplied with 3 keys



Box Qty	Code (Each)
4	MP909

## Integral Coupling Security Locks

### INTEGRAL LOCK AND KEY SET

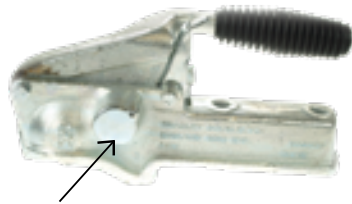
- Lock and key suitable for many pressed steel couplings including MP80/MP81
- Prevents the coupling handle from being operated



Display Pack	Bulk Pack
MP478	MP478B

### INTEGRAL COUPLING LOCK FOR BRADLEY AUTOHEAD & AUTOJAW

- Suitable for Bradley Coupling Heads and Auto Jaws
- High security integral lock, 4 keys, key ring and key documentation



Code (Each)
MP201L

### BARREL LOCK & KEY SET FOR KNOTT AVONRIDE COUPLING HEADS

- Replacement Coupling Barrel lock & Key set for Knott-Avonride coupling heads up to 3500kg
- Lock cover cap, two keys, lock housing pin and fitting instructions supplied



Code (Each)
MP2015L

### HIGH SECURITY BARREL LOCK & KEY SET FOR KNOTT AVONRIDE COUPLING HEADS

- High security barrel lock and key set for Knott Avonride Coupling heads up to 3500kg
- Robust anti-drill construction
- Water and corrosion resistant
- Thousands of key combinations
- Lock cover cap, two keys, lock housing pin and fitting instructions supplied



Code (Each)
MP2017L

Index	
<b>A</b>	<b>PAGE</b>
Adjuster Kits	34
Alignment Cap	14
Antiluces	55
Antiluce Plates	55
<b>B</b>	
Bearings	38
Bearing Kits	37
Bellows	11
Blocks	
- Keel Block	68
- Snubber Block	69
Bowden Brake Cables	36
Brake Cable Eyelets	35
Brake Cover Plates	35
Brake Shoe Adjuster Kits	34
Brake Shoe Axle Kits	32 - 33
Brake Shoe Expanders	35
Breakaway Cables	13
Boat Rollers & Brackets	64 - 67
Bolt-on Hinge Pins	53
Bow Snubber Blocks	69
Buffers	68 - 69
<b>C</b>	
Clamps for Jockey Wheels & Prop Stands	29 - 31
Circlip	38
Couplings	4 - 10
Coupling Skid	14
Coupling Safe	85
Coupling Security Locks	88
<b>D</b>	
Dampers	12
D Shackles	57
Dust / Hub Caps	39
<b>E</b>	
Expanders	35
Eyelets	35
<b>F</b>	
Flat Cover	77
<b>H</b>	<b>PAGE</b>
Half Shells	35
Heavy Duty Clamps for Jockey Wheels & Prop Stands	30
Heavy Duty Jacks	27 - 28
Heavy Duty Jockey Wheels	19 - 21
High 30cm Cover & Frame	71
Hinges	53
Hinge Pins	53
Hitchlocks	
- Stronghold	79 - 82
- Maypole	85
Horsebox Cover	78
Hub Caps	39
Hub Nuts	40
<b>I</b>	
Integral Coupling Security Locks	88
<b>G</b>	
Gudgeon / Hinge Pins	53
<b>J</b>	
Jacks	27 - 28
Jockey Wheels	
- Standard Duty	15 - 16
- Medium Duty	17 - 18
- Premium Heavy Duty	19 - 21
- Auto-Fold	22
Jockey Wheel Fixing Clamp	22
<b>K</b>	
Keel Rollers	64
Keel Roller Brackets	65
<b>L</b>	
Ladder Rack	72
Lamp Guards	52
Lashing Rings	56
Launch Trolley Wheels	70
Linch Pins	57
Lockable ABS Hard Cover	71
Lockable Overcentre Latches	54
Locking Wheel Bolts	84



# Index

<b>L</b>	<b>PAGE</b>
Locking Wheel Nuts	84
Long Life Detachable Brake Cables	36

<b>M</b>	
Maypole Brake Shoe Sets	33
Medium Duty Jockey Wheels	17 - 18
Medium Duty Clamps	29 - 30
Mesh Side Extension Kit & Cover	72
Mild Steel Hinge Pins	53
Motorbike Trailer	73
Mudguards	47 - 49

<b>N</b>	
Number Plate Clamps	52
Number Plate Holder	52

<b>O</b>	
Oil Seals	38
Original Equipment Brake Shoe Axle Set	32
Overcentre Catches	54
Overcentre Latches	54

<b>P</b>	
Plastic Mudguards	47 - 48
Plug Keepers	14
Pressed Steel Hinges	53
Prop Stands	26 - 27

<b>R</b>	
R Clips	57
Replacement Jockey Wheels	23 - 25
Ribbed Wobble Rollers	66
Ribbed Wobble Brackets	67

<b>S</b>	
Sealed For Life Bearings	38
Sealed For Life Bearing Kits	37
Secondary Couplings	13
Security	79 - 88
Side Buffer Channel Brackets	69
Side Rollers	65
Side Roller Brackets	66
Soft Docks	14
Spare Trailer Wheel Cover	78
Spray Suppression Rainflaps	50
Spring / Shoot Bolts	55
Spring / Shoot Latches	55
Standard Duty Clamps	29
Standard Duty Jockey Wheels	15 - 16

	<b>PAGE</b>
Steel Mudguards	49
Steel Tie Down Hooks	56
Stem Posts	67
Suspension Units	
- With Hubs	42
- Without Hubs	43
Suspension Unit Mounting Plates	44

<b>T</b>	
Tandem Mudguards	48
Tandem Mudguard Bracket	49
Taper Roller Bearings	38
Taper Roller & Ball Bearing Kits	37
Threaded Antiluces	55
Towing Eye Lock	82
Trailers	71 - 77
Trailer Accessories	71 - 72
Trailer Cargo Nets	78
Trailer Cover Tie Downs	57
Trailer Mudguards	47 - 49
Trailer Winch Post	69
Trailer Wheel Chock & Mounting Plate Set	50
Trailer Wheel Hubs	44
Tyres & Wheels	45 - 46

<b>U</b>	
'U' Bolts	51
'U' Bolt Plates	51
Universal Coupling Lock	85
Universal Hitchlock	85
Universal Load Bars	72
Universal Trailer Cover	77
Universal Spare Wheel Carrier	22
Universal Wheel Clamps	86 - 87

<b>W</b>	
Weld-On Hinges	53
Wheel Hubs	44
Wheel Bolts	41
Wheel Nuts	40
Wheel Studs	41
Wheels & Tyres	45 - 46
Winches	58 - 62
Winch Accessories	63
Wheel Clamps	
- Stronghold	83
- Maypole	86 - 87

<b>Y</b>	
Yellow Plates	52

# Terms and Conditions of Sale of Maypole Limited

## 1. INTERPRETATION

1.1 In these Conditions the following words shall have the following meanings:  
"Buyer" means the purchaser of the goods;  
"Conditions" means the standard terms and conditions of sale set out in this document and (unless the context otherwise requires) includes any special terms and conditions agreed in writing between the Seller and the Buyer;  
"Contract" means any contract incorporating these Conditions between the Seller and the Buyer for the sale and purchase of the Goods;  
"Goods" means the goods agreed in the Contract to be supplied by the Seller to the Buyer; and "Seller" means Maypole Limited a company registered in England and Wales under number 1502304 whose registered office is at 162 Clapgate Lane, Woodgate Business Park, Birmingham B32 3DE.  
1.2 In these Conditions references to any statute or statutory provision shall unless the context otherwise requires, be construed as a reference to that statute or statutory provision as from time to time amended, consolidated, modified, extended, re-enacted or replaced.  
1.3 In these Conditions headings will not affect the construction or interpretation of these Conditions.

## 2. APPLICATION OF TERMS

2.1 Subject to any variation under condition 2.3, these Conditions comprise all the terms of the Contract between the Seller and the Buyer to the exclusion of all other terms and conditions (including any terms or conditions which the Buyer purports to apply under any purchase order, confirmation of order, specification or other document). No statement, written or oral, including statements in any price list, brochure or promotional literature of the Seller shall be incorporated into the Contract or have any legal effect.  
2.2 The terms in these Conditions shall prevail over any terms put forward by the Buyer and no conduct of the Seller shall constitute acceptance of any terms put forward by the Buyer unless the Seller expressly agrees to them in writing signed by a director of the Seller.  
2.3 No additions to or variations of these terms shall be binding on the Seller unless in writing signed by a director of the Seller.  
2.4 No employee or agent of the Seller has any authority to make any representations on behalf of the Seller as to the effect of these terms.  
2.4 Maypole don't operate a sale or return policy, all stock cleans and returns must be authorized by the Manager and 20% re-stocking charge will be deducted  
2.5 Maypole return note must be completed and reasons should be given for the return  
2.6 Maypole reserve the right to close the account if, the minimum annual spend of £1000 has not be maintained.  
2.7 Account will be setup once initial order, for the value of £250.00 has been met.

## 3. PRICE

3.1 Unless expressly agreed in writing by a director of the Seller or the Seller's sales staff the price for the Goods shall be the price set out in the Seller's price list published on the date of delivery or deemed delivery.  
3.2 The Seller reserves the right to vary its published price list by written notice to the Buyer.  
3.3 Unless expressly stated otherwise all prices are exclusive of value added tax.

## 4. PAYMENT TERMS

4.1 Payment for the Goods is due no later than 30 days after the delivery date or date of deemed delivery.  
4.2 Time for payment shall be of the essence.  
4.3 The Buyer shall make all payments due under the Contract without any deduction whether by set-off, counterclaim, discount, abatement or otherwise.  
4.4 If the Buyer fails to pay the Seller any sum due pursuant to the Contract the Buyer;  
4.4.1 will be liable to pay interest to the Seller on such sum from the due date for payment at the annual rate of 6% above the base lending rate from time to time of Lloyds TSB Bank, accruing on a daily basis until payment is made. The Seller reserves the right to claim interest under the Late Payment of Commercial Debts (Interest) Act 1998; and  
4.4.2 the Seller shall be entitled (without prejudice to its other claims and rights under the Contract) to suspend or cancel further deliveries or services under this Contract and any other contract between the Seller and the Buyer and treat the Contract as wholly repudiated by the Buyer and forthwith to terminate the Contract.

## 5. DELIVERY

5.1 The Seller shall use reasonable endeavours to meet any delivery date but any date named by the Seller for delivery is given and intended as an estimate only and is not to be the essence of the Contract. The Buyer shall nevertheless be bound to accept the Goods when delivered.  
5.2 The Seller shall not be liable to the Buyer for any losses caused to the Buyer by the late delivery of the Goods.

## 6. FORCE MAJEURE

6.1 The Seller reserves the right to without liability defer the date of delivery or to cancel the Contract or reduce the volume of the Goods ordered by the Buyer (without liability to the Buyer) if it is prevented from or delayed in the carrying on of its business due to circumstances beyond the reasonable control of the Seller including, without limitation, acts of God, governmental actions, war or national emergency, acts of terrorism, protests, riot, civil commotion, fire, explosion, flood, epidemic, lock-outs, strikes or other labour disputes (whether or not relating to either party's workforce), or restraints or delays affecting carriers or inability or delay in obtaining supplies of adequate or suitable materials.

## 7. QUALITY

7.1 The Seller warrants that (subject to the other provisions of these Conditions) upon delivery the Goods will:  
7.1.1 conform with any description given to the Buyer by the Seller; and  
7.1.2 be of satisfactory quality within the meaning of the Sale of Goods Act 1979.  
7.2 It is the Buyer's responsibility to inspect and test the Goods and each and every part thereof to see that they are in order.  
7.3 If any of the Goods do not conform with any of the warranties in condition 7.1 the Seller shall at its sole option either:  
7.3.1 repair or replace the defective Goods (or the defective part); or  
7.3.2 allow full credit for the defective Goods provided that if the Seller so requests the Buyer shall at the Seller's expense return the Goods or the part of such Goods which is defective to the Seller.

## 8. LIMITATIONS ON LIABILITY

8.1 Subject to condition 7 the following provisions set out the entire financial liability of the Seller (including any liability for the acts or omissions of its employees, agents and

sub-contractors) to the Buyer in respect of:

8.1.1 any breach of these Conditions; and  
8.1.2 any representation, statement or tortious act or omission including negligence arising under or in connection with the Contract.  
8.2 All warranties, conditions and other terms implied by statute or common law (save for the conditions implied by section 12 of the Sale of Goods Act 1979) are, to the fullest extent permitted by law, excluded from the Contract.  
8.3 Nothing in these Conditions excludes or limits the liability of the Seller for death or personal injury caused by the Seller's negligence or fraudulent misrepresentation.  
8.4 Subject to conditions 8.2 and 8.3:  
8.4.1 the Seller's total liability in contract, tort (including negligence or breach of statutory duty), misrepresentation, restitution or otherwise arising in connection with the performance or contemplated performance of the Contract shall be limited to the price paid by the Buyer to the Seller for the Goods.  
8.4.2 the Seller shall not be liable to the Buyer for any indirect or consequential loss or damage (whether for loss of profits, loss of business, depletion of goodwill or otherwise), costs, expenses or other claims or consequential compensation whatsoever (howsoever caused) which arise out of or in connection with the Contract.

## 9. TIME FOR NOTIFYING DELIVERY SHORTAGES

9.1 The Seller shall not be liable in any way whatsoever for short delivery unless the Buyer notifies the Seller of any shortage within 3 working days of date of delivery or deemed delivery.

## 10. RISK AND TITLE

10.1 The Goods are at the risk of the Buyer from the date of delivery.  
10.2 Ownership of the Goods shall not pass to the Buyer until the Seller has received in full (in cash or cleared funds) all sums due to it in respect of:  
10.2.1 the Goods; and  
10.2.2 all other sums which are or which become due to the Seller from the Buyer on any account.  
10.3 Until the ownership of the Goods has passed to the Buyer, the Buyer must:  
10.3.1 hold the Goods on a fiduciary basis as the Seller's bailee;  
10.3.2 store the Goods (at no cost to the Seller) separately from all other goods of the Buyer or any third party in such a way that they remain readily identifiable as the Seller's property;  
10.3.3 not destroy, deface or obscure any identifying mark or packaging on or relating to the Goods;  
10.3.4 maintain the Goods in satisfactory condition and keep them insured on the Seller's behalf for their full price against all risk to the reasonable satisfaction of the Seller. On request the Buyer shall produce the policy of insurance to the Seller; and  
10.3.5 hold the proceeds of the insurance referred to in condition 10.3.4 on trust for the Seller and not mix them with any other money, nor pay the proceeds into an overdrawn bank account.  
10.4 If the Buyer:  
10.4.1 has a bankruptcy order made against him or makes an arrangement or composition with his creditors, or otherwise takes the benefit of any statutory provision for the time being in force for the relief of insolvent debtors, or (being a body corporate) convenes a meeting of creditors (whether formal or informal), or enters into liquidation (whether voluntary or compulsory) except a solvent voluntary liquidation for the purpose only of reconstruction or amalgamation, or has a receiver and/or manager, administrator or administrative receiver appointed of its undertaking or any part thereof, or a resolution is passed or a petition presented to any court for the winding up of the Buyer or for the granting of an administration order in respect of the Buyer, or any proceedings are commenced relating to the insolvency or possible insolvency of the Buyer; or  
10.4.2 suffers or allows any execution, whether legal or equitable, to be levied on his/its property or obtained against him/it, or fails to observe/perform any of his/its obligations under the Contract or any other contract between the Company and the Buyer, or is unable to pay its debts within the meaning of section 123 of the Insolvency Act 1986 or the Buyer ceases to trade; or  
10.4.3 the Buyer encumbers or in any way charges any of the Goods; then the Buyer's right to possession of the Goods shall terminate immediately, the Seller shall immediately be entitled to the price and the Seller shall be entitled (without prejudice to its other claims and rights under the Contract) to suspend or cancel further deliveries or services under this Contract and any other contract between the Seller and the Buyer and treat the Contract as wholly repudiated by the Buyer and forthwith to terminate the Contract.  
10.5 The Seller shall be entitled to recover payment for the Goods notwithstanding that ownership of any of the Goods has not passed from the Seller.  
10.6 The Buyer grants the Seller, its agents and employees an irrevocable licence at any time to enter any premises where the Goods are or may be stored in order to inspect them, or where the Buyer's right to possession has terminated, to recover them.

## 11. INDEMNITY

11.1 The Buyer shall indemnify the Seller against all claims and demands whatsoever made by any person or persons against the Seller in respect of injury, loss or damage arising directly or indirectly from the delivery and use of the Goods supplied by the Seller, howsoever caused and whether or not amounting to negligence.

## 12. GENERAL

12.1 Each right or remedy of the Seller under the Contract is without prejudice to any other right or remedy of the Seller whether under the Contract or not.  
12.2 If any provision of the Contract is found by any court, tribunal or administrative body of competent jurisdiction to be wholly or partly illegal, invalid, void, voidable, unenforceable or unreasonable it shall to the extent of such illegality, invalidity, voidness, voidability, unenforceability or unreasonableness be deemed severable and the remaining provisions of the Contract and the remainder of such provision shall continue in full force and effect.  
12.3 Any concession made by the Seller or waiver by the Seller of any breach of, or any default under, any provision of the Contract by the Buyer will not be construed as a waiver of any of its rights under the Contract.  
12.4 Failure or delay by the Seller in enforcing or partially enforcing any provision of the Contract will not be construed as a waiver of any of its rights under the Contract.  
12.5 The Seller reserves the right to correct any clerical errors made by its employees at any time.  
12.6 The parties to this Contract do not intend that any term of this Contract will be enforceable by virtue of the Contracts (Rights of Third Parties) Act 1999 by any person that is not a party to it.  
12.7 The formation, construction and performance of this contract shall be governed in all respects by English Law and the parties submit to the exclusive jurisdiction of the English courts.





Maypole Ltd, 162 Clappgate Lane, Woodgate Business Park, Birmingham B32 3DE  
Tel: +44 (0) 121 270 4301 Fax: +44 (0) 121 423 3020 Email: [sales@maypoleltd.co.uk](mailto:sales@maypoleltd.co.uk)  
Web: [www.maypole.ltd.uk](http://www.maypole.ltd.uk) [www.stronghold-security.com](http://www.stronghold-security.com)

THE UK'S LEADING TOWING AND TOURING COMPANY