

## **MP5101 COMPACT DASHCAM** **USER GUIDE**



**Please read this operating manual fully and abide by all safety instructions when using this device.**

**Keep these instructions for future reference. When passing the device on to others be sure to include all documentation. The instruction leaflet is also available on our website: [www.maypoleltd.com](http://www.maypoleltd.com)**

## IMPORTANT SAFETY INSTRUCTIONS

- If you are not confident working with 12V/24V DC wiring, removing or installing interior panels, carpeting, dashboards or other components of your vehicle, consider having the dashcam professionally installed.
- The device is immune from interference from other wireless devices, bluetooth, mobile telephones, Wi- Fi routers, power lines and other electrical equipment.
- The dashcam contains no user serviceable parts and should not be opened. Any attempt at modification or repair by the end user will invalidate the warranty.
- Do not expose the device to strong sunlight or high temperatures. It may cause damage to the housing and internal components.
- Make sure that the camera is turned off before inserting or removing the memory card to avoid damage to the memory card or data.
- Regularly clean the lens using a pre-moistened lint-free or microfiber cloth. Do not use acetone or alcohol-based solvents.
- Never install or operate the dashcam while driving a vehicle.
- Store in a dry area and take care to not expose to rain or moisture during use.
- Ensure that the power cable is regularly inspected and kept in good condition.
- Never use this product if the device or accessories are found to be worn or damaged.

## COMPONENTS



### **Box contains:**

Compact dashcam

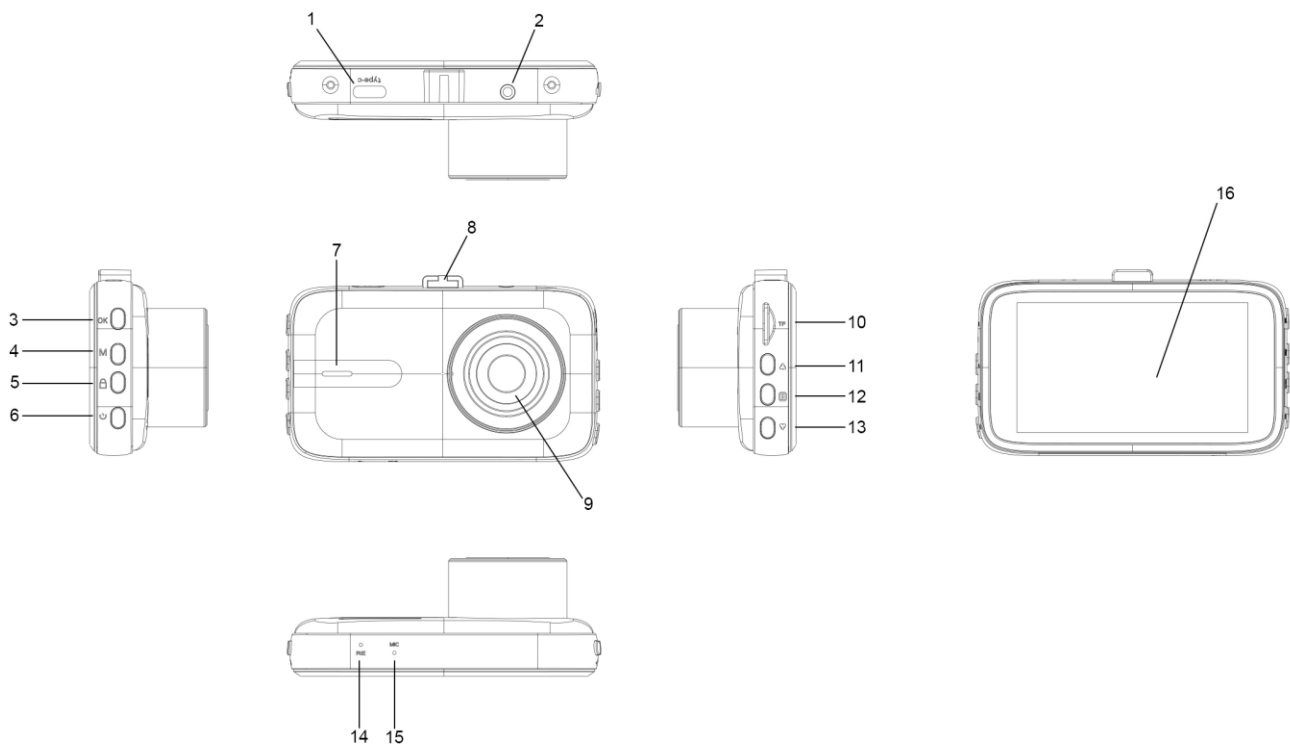
Suction cup clamp

12VDC power supply cable

User manual

Notify your place of purchase immediately if any items are missing or damaged.

## PRODUCT LAYOUT

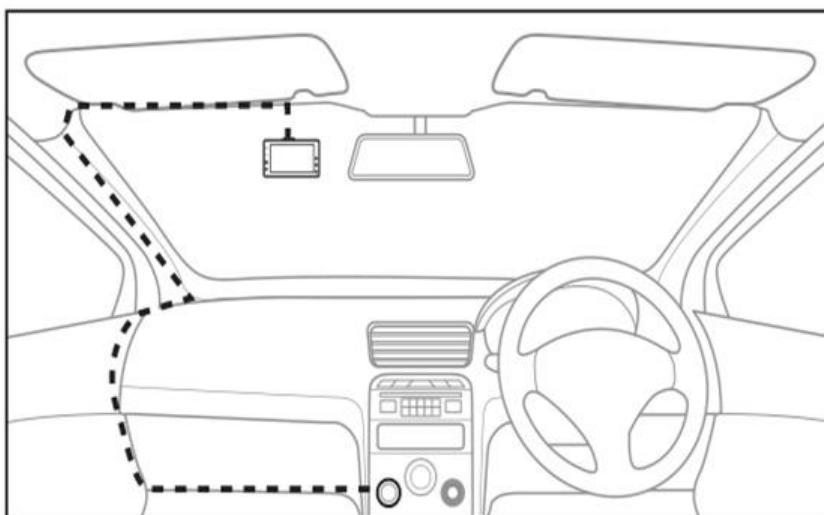


- |                           |                   |
|---------------------------|-------------------|
| 1. Mini USB socket        | 9. Lens           |
| 2. Rear camera input port | 10. TF card slot  |
| 3. OK button              | 11. Up button     |
| 4. Mode button            | 12. Menu button   |
| 5. Lock button            | 13. Down button   |
| 6. Power button           | 14. Re-set button |
| 7. Speaker                | 15. Mic           |
| 8. Mount slot             | 16. Display       |

## PREPARATION & INSTALLATION

- The use of class 10 UHS-I U3 MLC SD cards is recommended (max capacity 64GB).
- Insert the micro SD card into the TF card slot (10) and format it.
- Ensure the front windscreen is as clean as possible.
- Insert the suction cup bracket into the mount slot (8) ensuring it is fully secure.
- Using the suction cup; mount the dashcam on the front windscreen ensuring the camera's field of vision is not obstructed.
- It is recommended the device is installed near the vehicle's rear view mirror to obtain the best open field view. DO NOT install the dashcam in a location that will obstruct your field of vision when driving.
- Insert one end of the 12VDC power supply cable into the mini USB socket (1). Plug the 12VDC vehicle connector into the 12V vehicle accessory socket. It is recommended the power cable is installed according to the below wiring

diagram (optional hardwire kit is available separately):



- The dashcam will automatically power up and begin recording when the vehicle's engine is started.
- It is recommended the micro SD card is formatted every 15 days.

## VIDEO SETUP MENU

- Before using the device, it is recommended you set each menu option.
- Press OK (3) to stop recording.
- Press MENU (12) to enter the video menus options.
- Press UP (11) & DOWN (13) to toggle through the menu options.
- Press OK (3) to enter each menu option.
- Once an option has been selected; press OK (3) again to select and save a setting.

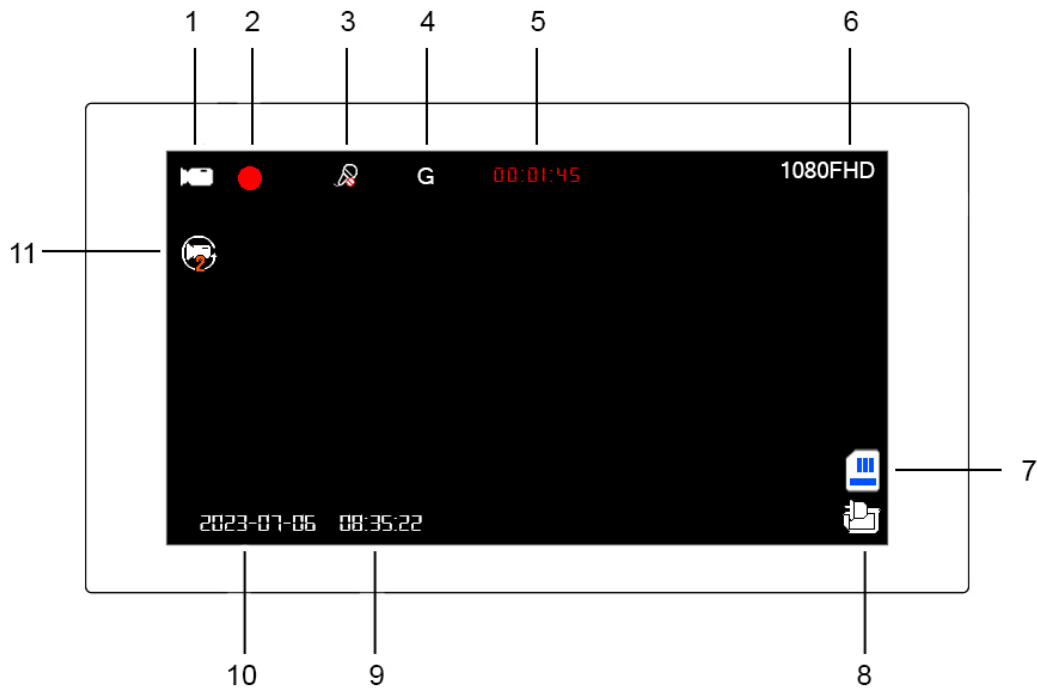
| Video Setting     | Options/ description                                     |
|-------------------|--|
| Resolution        | 1080FHD (1920x1080); 1080P (1440x1080); 720P (1280x 720) |
| Loop recording    | Off/ 1 min/ 2mins/ 3 mins/ 5 mins                        |
| Exposure          | -2.0 to +2.0   |
| Motion detector   | On/Off   |
| Microphone        | On/Off   |
| Date stamp        | On/Off   |
| G sensor          | Off/low/medium/ high sensitivity                         |
| Numberplate stamp | On/ Off  |

## GENERAL SETTINGS

- Press OK (3) to stop recording.
- Press MENU (12) twice to enter the general setting options.
- Press UP (11) & DOWN (13) to toggle through the menu options.
- Press OK (3) to enter each menu option.
- Once an option has been selected; press OK (3) again to select and save a setting.

| <b>General Setting</b> | <b>Options/ description</b>  |
|------------------------|--|
| Park Mode              | On/Off   |
| Date/time              | Press the OK button to highlight each unit. Pressing the up & down buttons will change the value. Pressing the menu button will save changes |
| Auto power off         | Off/ 1 min/ 3 mins   |
| Screensaver            | Off/ 3 mins/ 5 mins/ 10 mins   |
| Keypad tone            | On/Off   |
| Language               | Press the up & down buttons to select the desired language.  |
| Frequency              | 50Hz or 60Hz   |
| Format SD card         | Select 'apply' to format the SD card (note – all data will be lost on the SD card after formatting)  |
| Factory Settings       | Select 'apply' to restore all to factory settings  |
| Version                | Firmware version on device   |

## VIDEO MODE – SCREEN DISPLAY

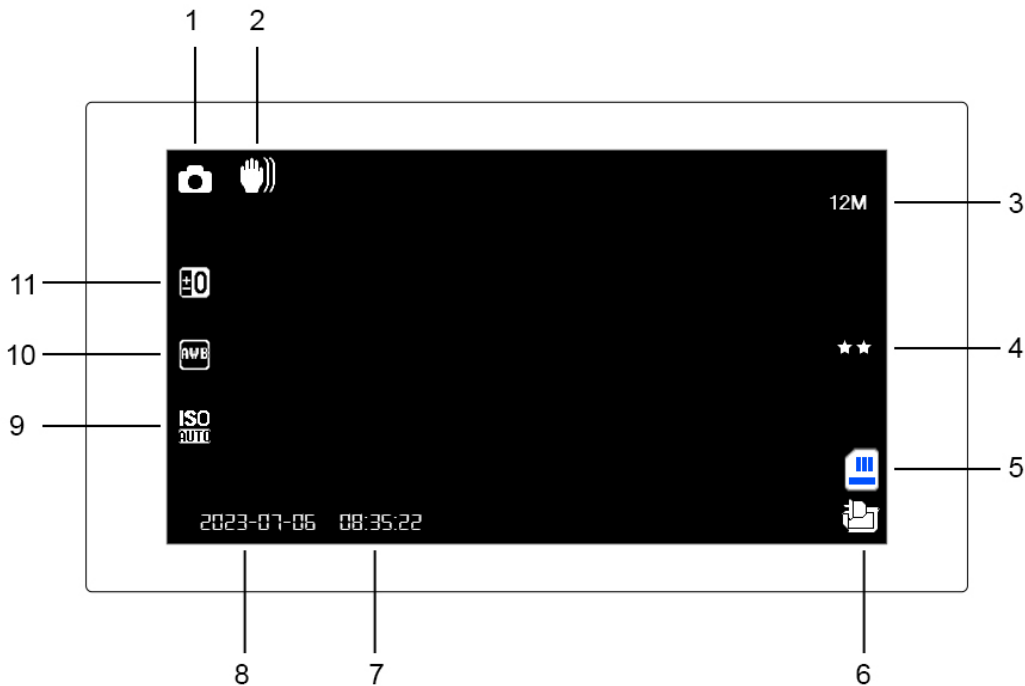


- |                     |                    |
|---------------------|--------------------|
| 1. Video mode       | 7. SD card         |
| 2. Recording        | 8. Power supply    |
| 3. Audio            | 9. Time            |
| 4. G sensor         | 10. Date           |
| 5. Recording time   | 11. Loop recording |
| 6. Video resolution |                    |

## VIDEO MODE - OPERATION

- The dashcam will automatically record footage when power is connected. A red flashing dot is displayed when the dashcam is recording.
- To stop recording at any time press the OK (3) button. Another press of the OK (3) button will re-start recording.
- To lock the footage, preventing accidental overwriting, press the lock (5) button.
- Once recording has stopped; pressing the Mode (4) button twice will enter the playback mode.

## CAMERA MODE – SCREEN DISPLAY



- |                  |                   |
|------------------|-------------------|
| 1. Camera mode   | 7. Time           |
| 2. Anti shaking  | 8. Date           |
| 3. Resolution    | 9. ISO            |
| 4. Image quality | 10. White balance |
| 5. SD card       | 11. Exposure      |
| 6. Power supply  |                   |

## CAMERA MODE - OPERATION

- In video mode press the OK (3) button to stop recording.
- Press the Mode (4) button once to enter camera mode.
- Pressing the OK (3) button will take still images.

## PLAYBACK MODE

- In video mode press the OK (3) button to stop recording.
- Press the Mode (4) button twice to enter the video playback mode.
- Press the Up/ Down buttons to select an image or video.
- Press the OK (3) button to play a video.
- Press the Menu (12) button to delete or protect an image or video.
- A final press of the Mode (4) button returns to the recording screen.

## REAR CAMERA (MP5106)

This dashcam can be used with the Maypole rear camera (MP5106) which is sold separately. This allows footage to be recorded at the rear or inside the vehicle.

**NOTE – only ever connect the Maypole rear camera (MP5106) to this dashcam and refer to the instructions included with the rear camera before installation.**

## HARDWIRE KIT (MP5105)

This dashcam can be used with the Maypole hardwire kit (MP5105) which is sold separately. This allows the dashcam to be used in your vehicle without the need to use the 12VDC vehicle accessory socket.

**NOTE – only ever connect the Maypole hardwire kit (MP5105) to this dashcam and refer to the instructions included with the hardwire kit before installation.**

## TECHNICAL SPECIFICATIONS

|                    |   |
|--------------------|---|
| Display            | 3"  |
| Lens Angle         | 150 Degree                                    |
| Lens               | F=2.0   |
| Files Format       | AVI   |
| Camera Resolution  | 1920*1080P                                    |
| Video Resolution   | 1920*1080P                                    |
| Video Encoding     | MJPEG   |
| AV Input           | Yes   |
| Recording Format   | Loop Recording/ motion detector               |
| GPS                | No  |
| WIFI               | No  |
| G Sensor           | Yes   |
| Motion Detector    | Yes   |
| Parking Monitoring | Yes   |
| Memory Card        | Class 10 TF micro SD card (max capacity 64GB) |
| USB Interface      | Mini A USB                                    |
| Battery            | 200mAh  |
| Power Supply       | DC-5V/1A                                      |



## ENVIRONMENTAL PROTECTION



Waste electrical products should not be disposed of with household waste. Please recycle where facilities exist. Check with your local authority or retailer for recycling advice.

## DECLARATION OF CONFORMITY

We declare that this product conforms to the following standards:



EMC Directive 2014/53/EU

ROHS 2011/65/EU Annex II and its amendment



Technical Manager, Maypole Ltd, Dec 2023

Email: [sales@maypoleltd.co.uk](mailto:sales@maypoleltd.co.uk)

Web: [www.maypoleltd.com](http://www.maypoleltd.com)