

## MP5102 SMART DASHCAM USER GUIDE



**Please read this operating manual fully and abide by all safety instructions when using this device.**

**Keep these instructions for future reference. When passing the device on to others be sure to include all documentation. The instruction leaflet is also available on our website: [www.maypoleltd.com](http://www.maypoleltd.com)**

## IMPORTANT SAFETY INSTRUCTIONS

- If you are not confident working with 12V/24V DC wiring, removing or installing interior panels, carpeting, dashboards or other components of your vehicle, consider having the dashcam professionally installed.
- The device is immune from interference from other wireless devices, bluetooth, mobile telephones, Wi-Fi routers, power lines and other electrical equipment.
- The dashcam contains no user serviceable parts and should not be opened. Any attempt at modification or repair by the end user will invalidate the warranty.
- Do not expose the device to strong sunlight or high temperatures. It may cause damage to the housing and internal components.
- Make sure that the camera is turned off before inserting or removing the memory card to avoid damage to the memory card or data.
- Regularly clean the lens using a pre-moistened lint-free or microfiber cloth. Do not use acetone or alcohol-based solvents.
- Never install or operate the dashcam while driving a vehicle.
- Store in a dry area and take care to not expose to rain or moisture during use.
- Ensure that the power cable is regularly inspected and kept in good condition.
- Never use this product if the device or accessories are found to be worn or damaged.

## COMPONENTS

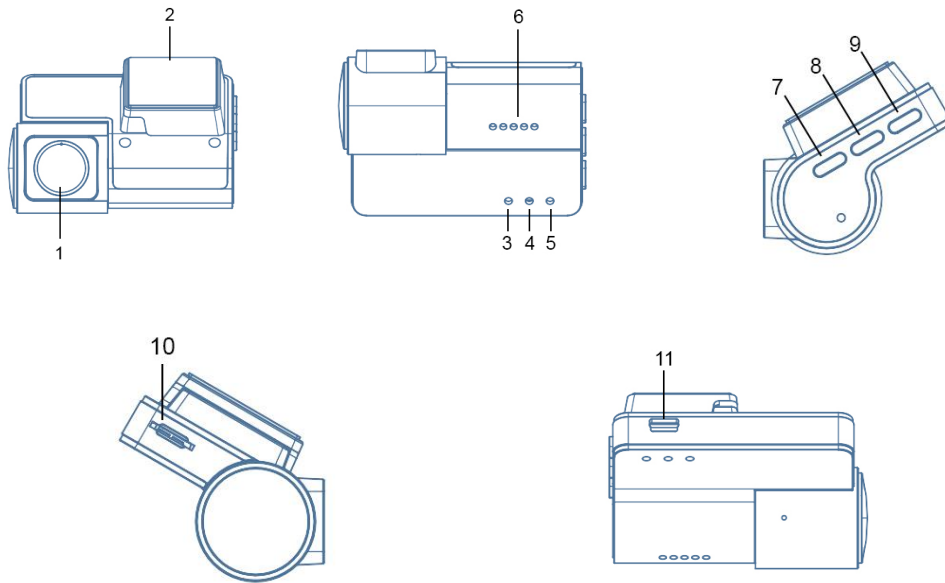


### Box contains:

Smart dashcam  
Adhesive pad  
12VDC power supply cable  
User manual

Notify your place of purchase immediately if any items are missing or damaged.

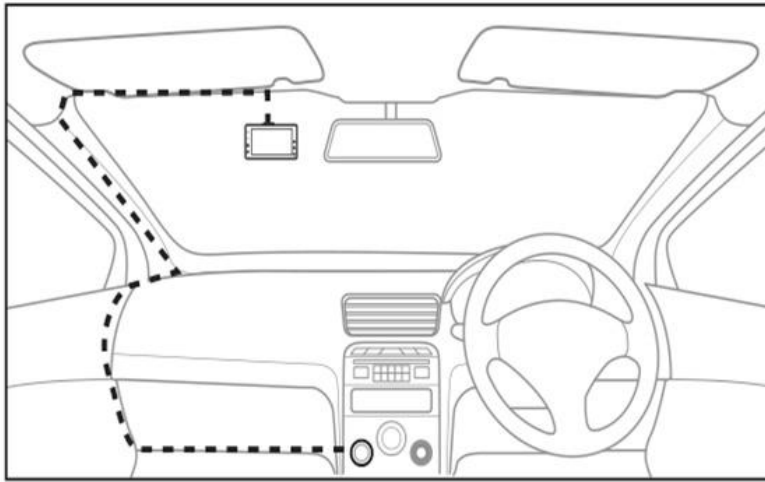
## PRODUCT LAYOUT



- |                        |                                   |
|------------------------|-----------------------------------|
| 1. Camera/lens         | 7. WIFI button                    |
| 2. Adhesive mount      | 8. On/Off and video record button |
| 3. Power indicator     | 9. Voice record button            |
| 4. WIFI indicator      | 10. Memory card slot              |
| 5. Recording indicator | 11. Mini USB socket               |
| 6. Speaker             |                                   |

## PREPARATION & INSTALLATION

- The use of class 10 UHS-I U3 MLC SD cards is recommended (max capacity 128GB).
- Insert the micro SD card into the TF card slot (10) and format it.
- Ensure the front windscreen is as clean as possible.
- Using the adhesive pad, mount the dashcam on the front windscreen ensuring the camera's field of vision is not obstructed.
- NOTE – choose the installation location in advance as the adhesive pad is single use only.
- It is recommended the device is installed near the vehicle's rear view mirror to obtain the best open field view. DO NOT install the dashcam in a location that will obstruct your field of vision when driving.
- Adjust the lens (1) so the camera is at the appropriate angle.
- Insert one end of the 12VDC power supply cable into the mini USB socket (11). Plug the 12VDC vehicle connector into the 12V vehicle accessory socket. It is recommended the power cable is installed according to the below wiring diagram (optional hardwire kit is available separately):



- The dashcam will automatically power up and begin recording when the vehicle's engine is started.
- It is recommended the micro SD card is formatted every 15 days.

## QUICK START OPERATION

- The dashcam will automatically record footage when power is connected. When power is disconnected the dashcam will save the recorded footage and turn off.
- Pressing the WIFI button (7) will enable/disable WIFI.
- A short press of the video record button (8) will start/ stop the video recording. A long press will turn the device on and off.
- Pressing the voice record button (9) will turn the audio on or off.

## WIFI CONNECTION

- Recorded footage can be viewed or downloaded and device settings can be changed all on your smartphone using the Viidure app.
- Ensure the dashcam is powered on and the WIFI indicator (4) is flashing green.
- Search for "Viidure" app in Google Play Store or Apple App Store. Alternatively scan the below QR codes. The app supports Android 6 and IOS 10 or newer versions.

Android



IOS



- Download and install the app.
- Make sure WIFI is enabled on your smartphone.
- Select 'DVF-89\_6308bf' to add the dashcam. The default password is '12345678'.
- Once the device is successfully connected you can view, control footage and download files onto your smartphone.

## VIDEO SETUP MENU

- Before using the device, it is recommended you set each menu option.
- On the "Viidure" app connect to the dashcam to access the below setting options:

Setting	Options/ description
Sound recording	On/Off
Speaker volume	Off/ low/ medium/ high
Video resolution	1080P or 720P
Loop recording	1/3/5 mins
Anti flicker	50Hz or 60Hz frequency
Collision Sensing (G Sensor)	Off/ low/ medium/ high

## HARDWIRE KIT (MP5105)

This dashcam can be used with the Maypole hardwire kit (MP5105) which is sold separately. This allows the dashcam to be used in your vehicle without the need to use the 12VDC vehicle accessory socket.

**NOTE – only ever connect the Maypole hardwire kit (MP5105) to this dashcam and refer to the instructions included with the hardwire kit before installation.**

## TECHNICAL SPECIFICATIONS

Lens Angle	150 Degree
Lens	F=2.0
Files Format	Mp4
Camera Resolution	1920*1080
Video Resolution	1920*1080
Video Encoding	H.265
Recording Format	Loop recording
GPS	No
WIFI	Yes
G Sensor	Yes
Motion Detector	No
Memory Card	Class 10 TF micro SD card (max capacity 128GB)
USB Interface	Mini A USB
Battery	150mAh
Power Supply	DC-5V/ 2A

## ENVIRONMENTAL PROTECTION



Waste electrical products should not be disposed of with household waste. Please recycle where facilities exist. Check with your local authority or retailer for recycling advice.

## DECLARATION OF CONFORMITY

We declare that this product conforms to the following standards:



EMC Directive 2014/53/EU

ROHS 2011/65/EU Annex II and its amendment



Technical Manager, Maypole Ltd, Dec 2023

Email: [sales@maypoleltd.co.uk](mailto:sales@maypoleltd.co.uk)

Web: [www.maypoleltd.com](http://www.maypoleltd.com)