

## **MP5103 SMART DASHCAM (4K ULTRA HD)** **USER GUIDE**



**Please read this operating manual fully and abide by all safety instructions when using this device.**

**Keep these instructions for future reference. When passing the device on to others be sure to include all documentation. The instruction leaflet is also available on our website: [www.maypoleltd.com](http://www.maypoleltd.com)**

## IMPORTANT SAFETY INSTRUCTIONS

- If you are not confident working with 12V/24V DC wiring, removing or installing interior panels, carpeting, dashboards or other components of your vehicle, consider having the dashcam professionally installed.
- The device is immune from interference from other wireless devices, bluetooth, mobile telephones, Wi-Fi routers, power lines and other electrical equipment.
- The dashcam contains no user serviceable parts and should not be opened. Any attempt at modification or repair by the end user will invalidate the warranty.
- Do not expose the device to strong sunlight or high temperatures. It may cause damage to the housing and internal components.
- Make sure that the camera is turned off before inserting or removing the memory card to avoid damage to the memory card or data.
- Regularly clean the lens using a pre-moistened lint-free or microfiber cloth. Do not use acetone or alcohol-based solvents.
- Never install or operate the dashcam while driving a vehicle.
- Store in a dry area and take care to not expose to rain or moisture during use.
- Ensure that the power cable is regularly inspected and kept in good condition.
- Never use this product if the device or accessories are found to be worn or damaged.

## COMPONENTS



### Box contains:

Smart dashcam

Mounting bracket/ GPS module

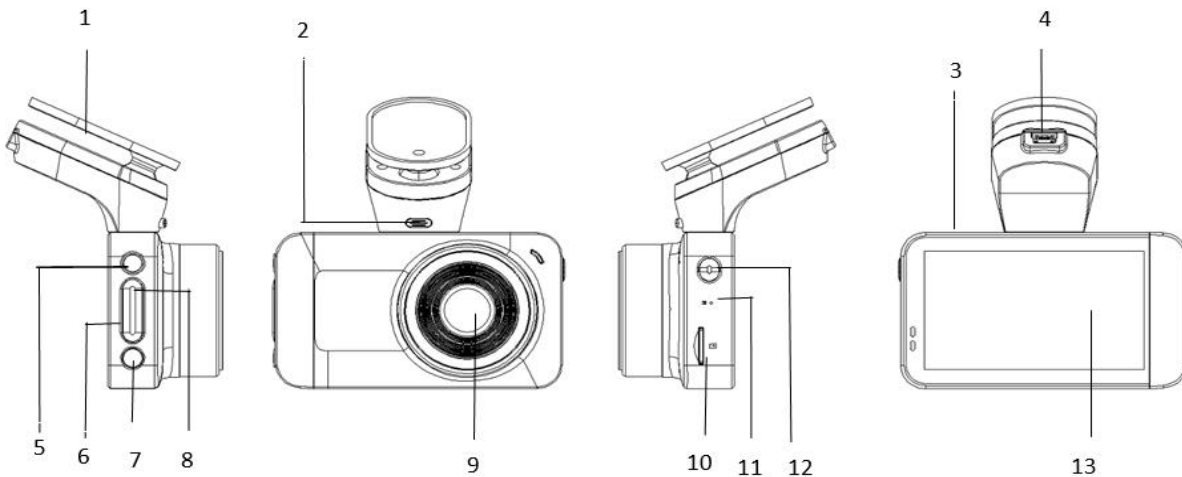
Adhesive pad

12VDC power supply cable

User manual

Notify your place of purchase immediately if any items are missing or damaged.

## PRODUCT LAYOUT

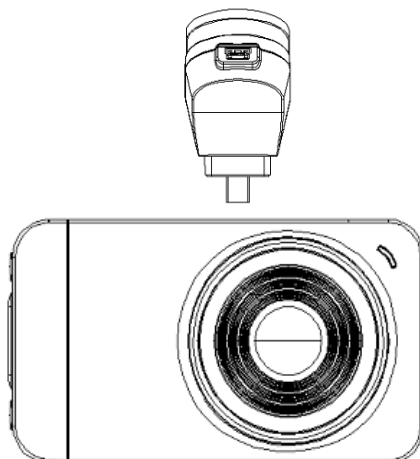


1. Mounting bracket/ GPS module
2. Mount release button
3. AV input port
4. Mini USB socket
5. Menu
6. Down
7. Mode

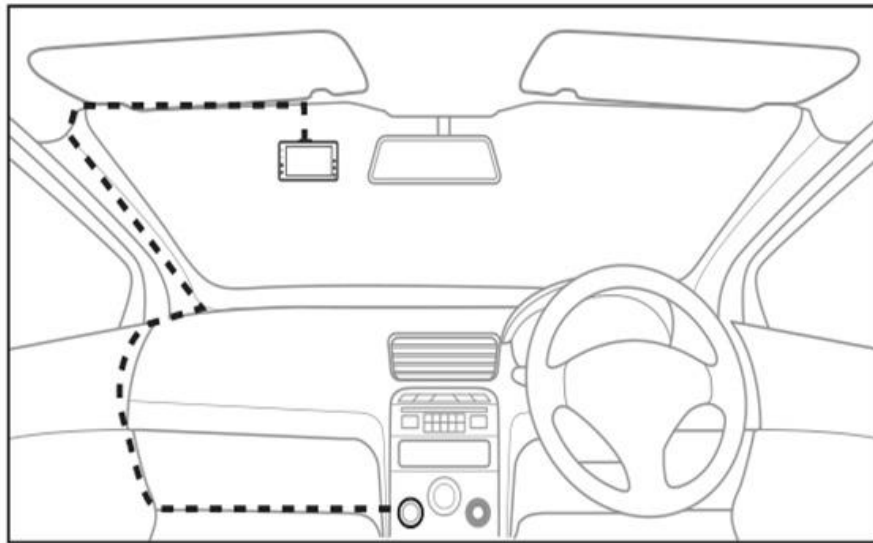
8. Up
9. Lens
10. TF card slot
11. Reset
12. Power
13. Display screen

## PREPARATION & INSTALLATION

- The use of class 10 UHS-I U3 MLC SD cards is recommended (max capacity 128GB).
- Insert the micro SD card into the TF card slot (10) and format it.
- Ensure the front windscreen is as clean as possible.
- Attach the mounting bracket (1) to the device ensuring it is securely locked in place.



- Using the adhesive pad, mount the dashcam on the front windscreen ensuring the camera's field of vision and GPS module is not obstructed.
- NOTE – choose the installation location in advance as the adhesive pad is single use only.
- It is recommended the device is installed near the vehicle's rear view mirror to obtain the best open field view. DO NOT install the dashcam in a location that will obstruct your field of vision when driving.
- Adjust the mounting bracket (1) so the camera is at the appropriate angle.
- Insert one end of the 12VDC power supply cable into the mini USB socket (4). Plug the 12VDC vehicle connector into the 12V vehicle accessory socket. It is recommended the power cable is installed according to the below wiring diagram (optional hardwire kit is available separately):



- The dashcam will automatically power up and begin recording when the vehicle's engine is started.
- It is recommended the micro SD card is formatted every 15 days.

## **VIDEO SETUP MENU**

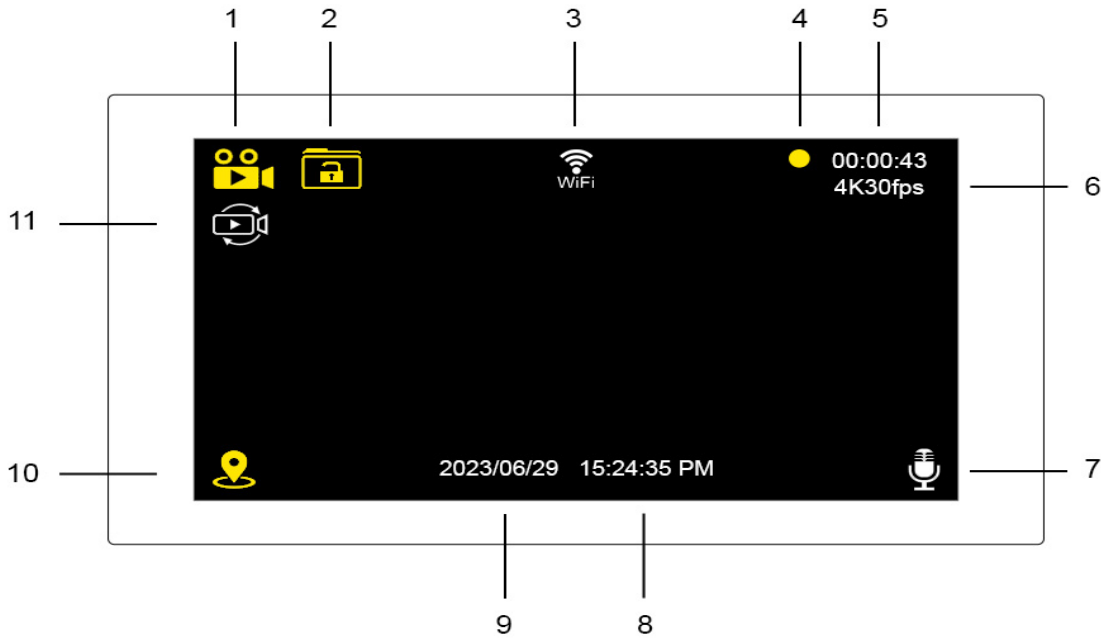
- Before using the device, it is recommended you set each menu option.
- In video recording mode; short press the mode button (7) to stop recording and press the Menu key (5) to enter the menu options.
- Press the UP (8) and DOWN (6) buttons to toggle through the menu options.
- Press the mode button (7) to enter each menu option.
- Once an option has been selected; press the mode button (7) to select and save a setting.

<b>Menu</b>	<b>Options/ description</b>
Resolution	4K (30fps), 2K (30fps), 1080P (60fps), 1080P (30fps)
Loop Recording	1 or 3 minutes
WDR (Wide Dynamic Range)	On/Off
G Sensor	Off/ low/ medium/ high sensitivity
Exposure	-2.0 to +2.0
Record Audio	On/Off
Date Stamp	On/Off

A further press of the menu key (5) will show the below menu settings:

<b>Menu</b>	<b>Options/ description</b>
WIFI	On/Off
Date/ Time	Press the mode button to highlight each unit. Pressing the up & down buttons will change the value. Pressing the menu button will save changes
Auto screen	Off/ 1 to 5 minutes
Beep Sound	On/Off
Language	Press the up & down buttons to select the desired language. Pressing the mode button will save changes
GPS	On/Off
Time zone	Press the up & down button to select the desired time zone. Pressing the mode button will save changes
Speed Unit	KM/H or MPH
GPS info	Shows the strength of the GPS signal and GPS co-ordinates
Time Screen Saver	Off/1 min/ 3 mins/ 5mins
Frequency	50Hz or 60Hz
Vertical Mirror	On/Off (rotates rear camera footage)
Format	Press OK to format the SD card (Note – all data will be lost on the SD card after formatting)
Default Setting	Press OK to re-set the device to original default settings
Version	Firmware version on device

## VIDEO MODE - SCREEN DISPLAY



1. Video mode
2. Emergency lock
3. WIFI
4. Recording (yellow = locked/ red = normal)
5. Recording time
6. Video resolution
7. Audio
8. Time
9. Date
10. GPS Signal (yellow = GPS connected)

## VIDEO MODE - OPERATION

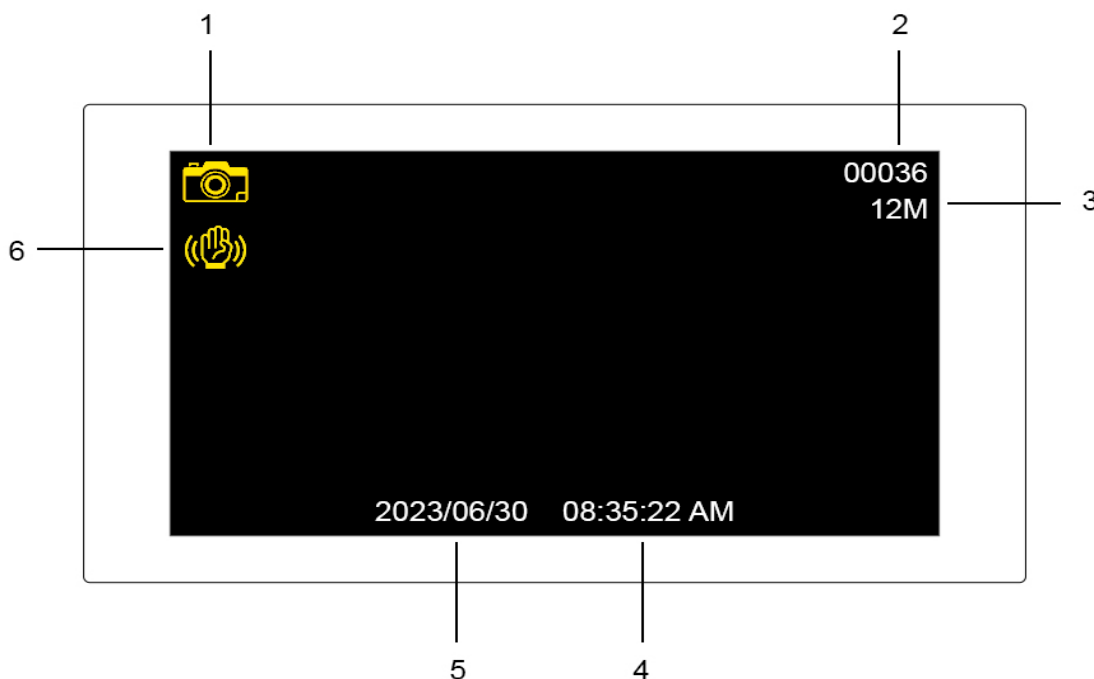
- The dashcam will automatically record footage when power is connected. A red dot is displayed when the dashcam is recording.
- Footage can be locked manually by pressing the menu button (5) or if the G-sensor is activated. The recording dot icon changes colour to yellow when the footage being recorded is locked.
- Two long presses of the mode button (7) will enter playback mode.

## CAMERA SETUP MENU

- Before using the device, it is recommended you set each menu option.
- Short press the mode button (7) to stop recording then long press the same mode button (7) to enter camera mode. Pressing the menu button (5) will show the camera menu options.
- Press the UP (8) and DOWN (6) buttons to toggle through the menu options.
- Press the mode button (7) to enter each menu option.
- Once an option has been selected; press the Mode button (7) to select and save a setting.

Menu	Options/ description
Resolution	3m 2048x1536 to 12m 4032x3024
Sequence	On/Off (On will takes 3 images every time)
Quality	Economy/ normal/ fine
Sharpness	Soft/ normal/ strong
White Balance	Auto/ daylight/ cloudy/ tungsten/ fluorescent
Colour	Colour/ black & white/ sepia
ISO	Auto or 100-400
Exposure	-2.0 to +2.0
Anti Shaking	On/Off
Date Stamp	On/Off

## CAMERA MODE – SCREEN DISPLAY



1. Camera mode
2. Capacity of images on SD card
3. Resolution
4. Time
5. Date
6. Anti Shaking

## **CAMERA MODE – OPERATION**

- In video mode; long press the mode button (7) to activate camera mode.
- Pressing the mode button (7) will take still images.

## **PLAYBACK MODE**

- In video mode; short press the mode button (7) to stop recording.
- Two long presses of the mode button (7) will activate the playback mode.
- Press the UP/DOWN buttons to select an image or video file.
- Press the mode button (7) to play or stop a video.
- When the video is playing; pressing the UP button will forward the footage and the DOWN button will re-wind the footage.
- Pressing the menu button (5) gives you the option to delete or protect an image or video file.
- A final long press of the mode button (7) returns to the recording screen.

## **WIFI CONNECTION**

- In video mode; short press the mode button (7) to stop recording.
- Press the menu button (5) twice and select WIFI on.
- NOTE - Pressing and holding the UP arrow (8) in video mode is a shortcut to turn the WIFI on.
- The WIFI icon will be displayed on the screen.
- Search for “luckycam” in Google Play Store or Apple App Store. Alternatively scan the below QR codes. The luckycam app supports Android 6 and IOS 10 or newer versions.

Android



Iphone





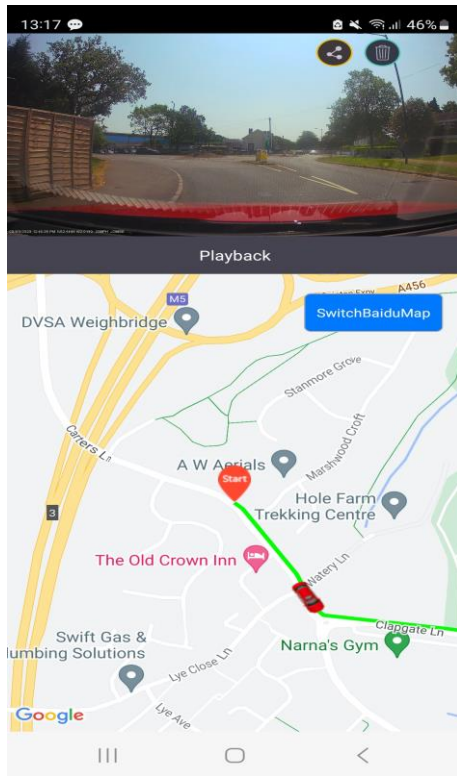
- Download and install the app.
- Make sure WIFI is enabled on your smartphone.
- Select 'NVT\_CARDV688fc9380039' to add the dashcam. The default password is '12345678'.
- Once the device is successfully connected you can view, control footage and download files onto your smartphone.

## GPS OPERATION

- Ensure the GPS is turned on the dashcam.
- To pick up a strong GPS signal the dashcam must be used in a clear and open environment. The GPS module must be mounted on the windscreen and not obstructed.
- When the dashcam has picked up a GPS signal the GPS icon on the screen will be solid yellow.
- In playback mode the GPS co-ordinates and speed will show at the bottom left corner of the screen:



- To view the GPS footage as a google map on your smartphone; ensure the file is downloaded onto the luckycam app.
- Disconnect the WIFI from the dashcam.
- The downloaded video will playback the journey on a google map:



**NOTE – it is essential your smart phone has a strong network signal for the GPS journey to playback successfully as a google map on your smart phone. Scan the below QR code to access a how to guide to help with this process:**



- To view the GPS footage as a google map on your PC; remove the SD card from the dashcam and transfer the video file onto your PC.
- Your PC will require specific GPS player software to play back the footage as a google map. The below website is recommended to access the required software. The software supports Mac 10.11 & above, win 7, win 8, win10, win11.

[www.dvplayer.net/setup.html](http://www.dvplayer.net/setup.html)

- Use the code below to gain free access to the software:
  
- Access the downloaded video file through the dvplayer software to play back the journey on a google map.
- A operational video is available on the home page of the dvplayer website.

## REAR CAMERA (MP5104)

This dashcam can be used with the Maypole rear camera (MP5104) which is sold separately. This allows footage to be recorded at the rear or inside the vehicle.

**NOTE – only ever connect the Maypole rear camera (MP5104) to this dashcam and refer to the instructions included with the rear camera before installation.**

## HARDWIRE KIT (MP5105)

This dashcam can be used with the Maypole hardwire kit (MP5105) which is sold separately. This allows the dashcam to be used in your vehicle without the need to use the 12VDC vehicle accessory socket.

**NOTE – only ever connect the Maypole hardwire kit (MP5105) to this dashcam and refer to the instructions included with the hardwire kit before installation.**

## TECHNICAL SPECIFICATIONS

Display	3" IPS Screen
Angle	170°
Lens	F=1.4
Files Format	MOV
Camera Resolution	2048 x 1536; 2592 x 1944; 3264 x 2448; 3648 x 2736; 4032 x 3024
Video Resolution	4K (30fps), 2K (30fps), 1080P (60fps), 1080P (30fps)
Video Encoding	H.264/ H.265
AV Input	Yes
Recording Format	Loop Recording
GPS	Yes
WIFI	Yes
G Sensor	Yes
Parking Monitoring	Yes (Hard Wire only)
Memory Card	Class 10 TF micro SD card (max capacity 128GB)
USB Interface	Mini A USB
Battery	Super Capacitor
Power Supply	DC-5V/ 2A

## ENVIRONMENTAL PROTECTION



Waste electrical products should not be disposed of with household waste. Please recycle where facilities exist. Check with your local authority or retailer for recycling advice.

## DECLARATION OF CONFORMITY

We declare that this product conforms to the following standards:



EMC Directive 2014/53/EU

ROHS 2011/65/EU Annex II and its amendment



Technical Manager, Maypole Ltd, Dec 2023

Email: [sales@maypoleltd.co.uk](mailto:sales@maypoleltd.co.uk)

Web: [www.maypoleltd.com](http://www.maypoleltd.com)