

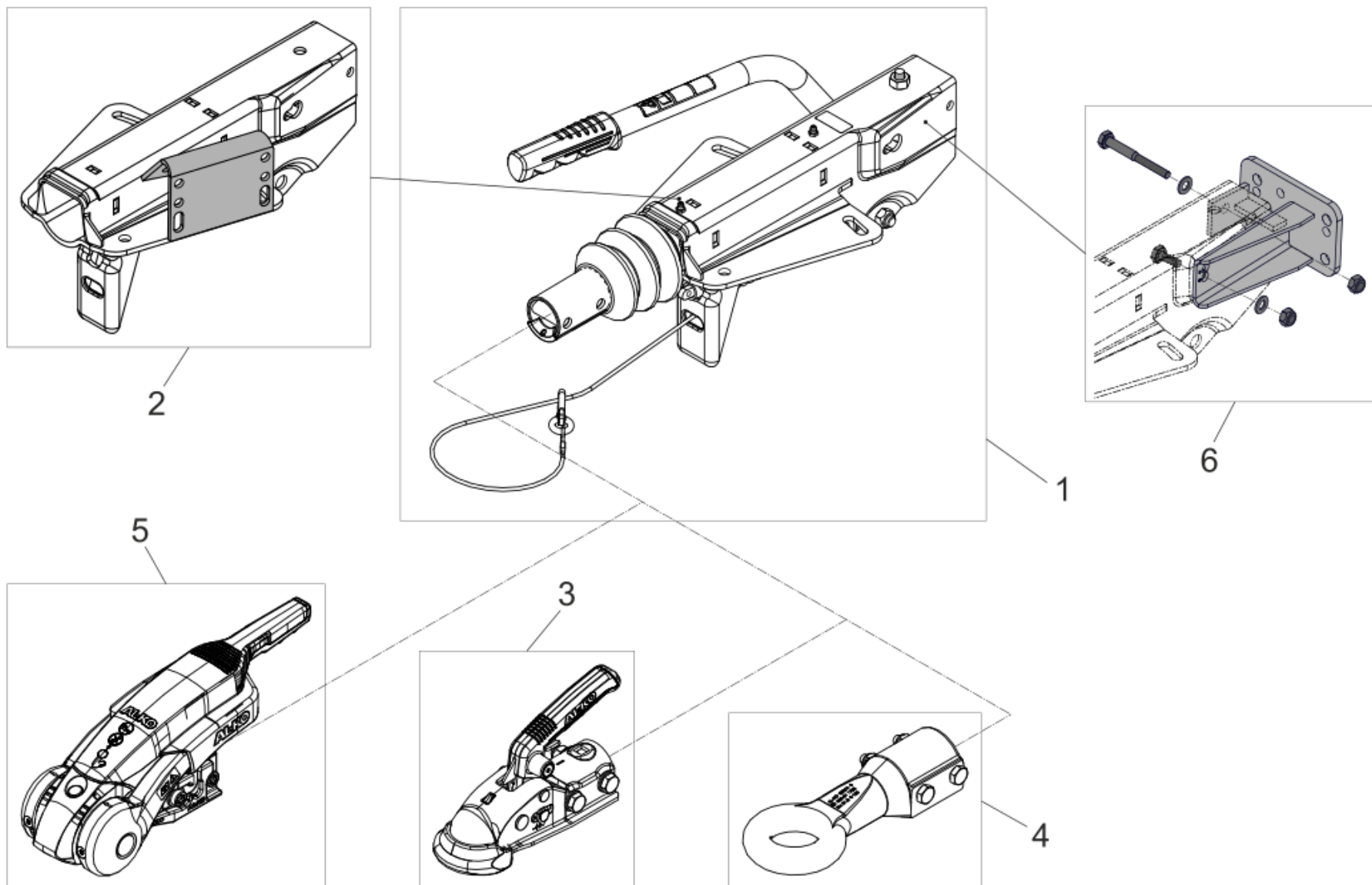
807073

Table of contents

Overrun device V 161S version A 950-1600kg dead center handbrake lever (807073)	3
Overrun device V 161S version A 950-1600kg; dead center handbrake lever (807073-1)	5
Overrun device V 161S - housing variants (ETK0115-1)	8
Coupling head AK 161 with accessories (ETK0117-1)	10
Coupling head AK 301 with accessories (ETK0117-3)	12
Drawbar eyes push-on connection Ø 50 mm with accessories (ETK0118-2)	14
Stabiliser AKS3004 with accessories (ETK0119-1)	16
Overrun device V 161S - mounting variants for jockey wheel or clampbracket (ETK0116-1)	18

Overrun device V 161S version A 950-1600kg dead center handbrake lever (807073)

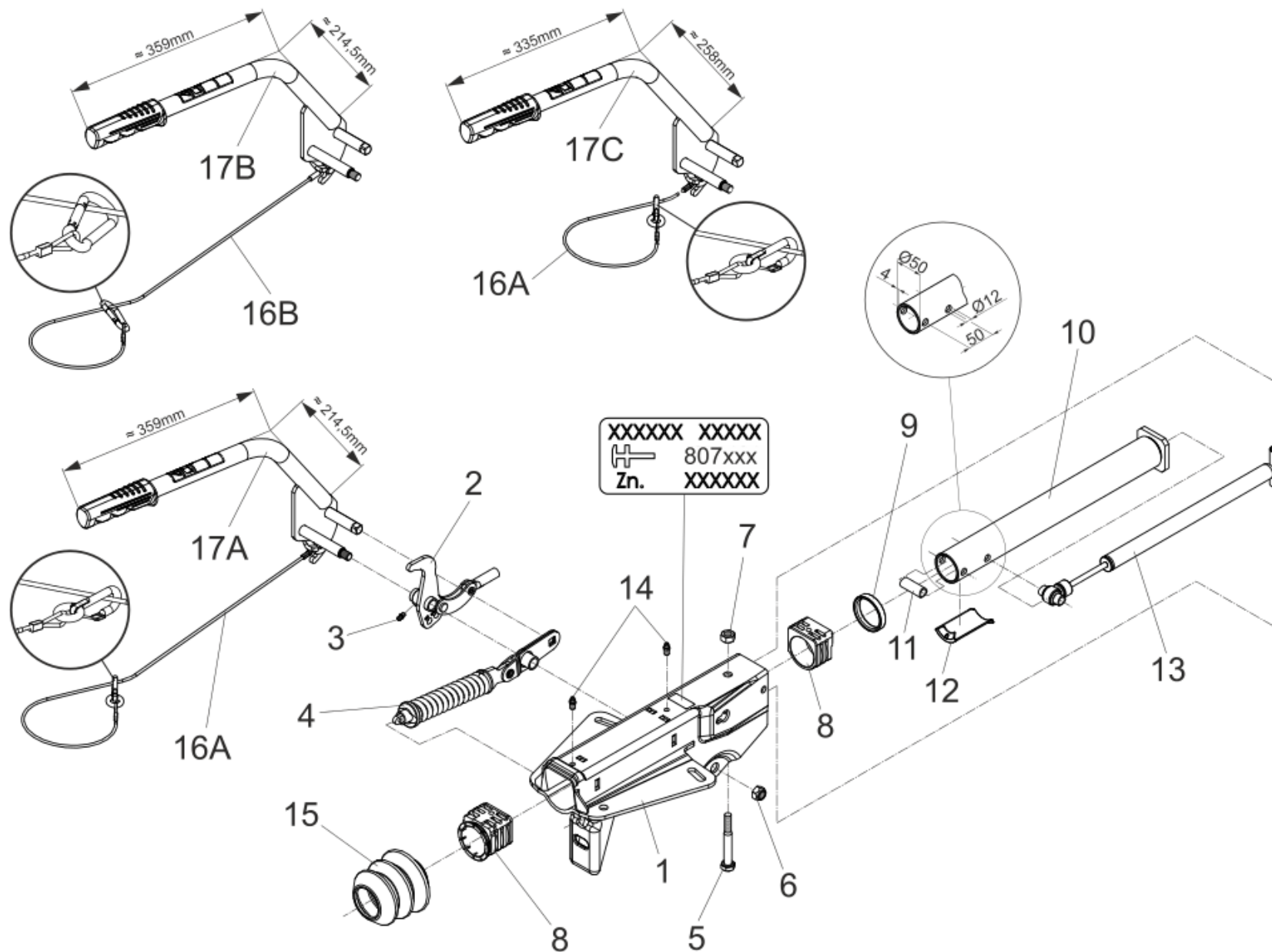
807073



Overrun device V 161S version A 950-1600kg dead center handbrake lever (807073)

Item no.	Article no.	Description	Quantity	Unit
1	807073-1	Overrun device V 161S version A 950-1600kg; dead center handbrake lever	1	PC
2	ETK0115-1	Overrun device V 161S - housing variants	1	PC
3	ETK0117-1	Coupling head AK 161 with accessories	1	PC
3	ETK0117-3	Coupling head AK 301 with accessories	1	PC
4	ETK0118-2	Drawbar eyes push-on connection Ø 50 mm with accessories	1	PC
5	ETK0119-1	Stabiliser AKS3004 with accessories	1	PC
6	ETK0116-1	Overrun device V 161S - mounting variants for jockey wheel or clampbracket	1	PC

Overrun device V 161S version A 950-1600kg; dead center handbrake lever (807073-1)



Overrun device V 161S version A 950-1600kg; dead center handbrake lever (807073-1)

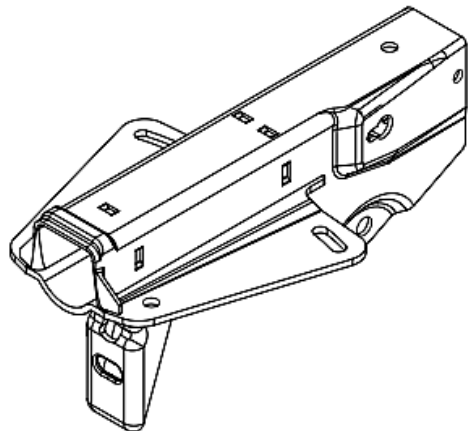
Item no.	Article no.	Description	Quantity	Unit	Remark
1	ETK0002	Housing	1	PC	At the time of order see graved drawing-no.
2	695423	Deflection lever mounted iH=90:27	1	PC	
2	695505	Deflection lever mounted iH=90:30	1	PC	
2	695506	Deflection lever mounted iH=90:33,5	1	PC	
3	700203	Conical grease nipple AS 6x1 DIN 71412	1	PC	
4	696851	Spare parts set: Lever cpl. with spring package for type 161S	1	PC	
5	705434	Hexagon screw M12x90 DIN 931 8.8	1	PC	Old material number: 02.5021.80.82
6	705526	hexnut M12 DIN 985-10	1	PC	For safety reasons: Self locking nuts and screws with chemical self locking must be used once. After untighten always use a new part.
7	706437	Self locking nut BIW M12	1	PC	
8	1731969	Spare parts set overrun device bushing	1	PC	Attention: After fitting the bearing bushes must be reamed to the particular draw bar diameter
9	371372	Damping rubber	1	PC	
10	571873	Draw tube welded 161S	1	PC	
11	647925	Distance bush	1	PC	

Overrun device V 161S version A 950-1600kg; dead center handbrake lever (807073-1)

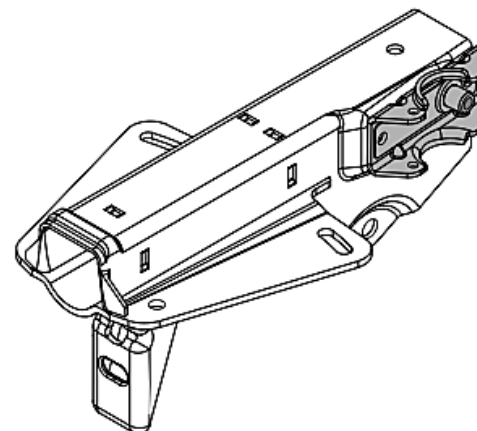
Item no.	Article no.	Description	Quantity	Unit	Remark
12	695259	Bracket	1	PC	
13	1931461	Shock absorber for permitted gross weight from 950 kg to 1600 kg	1	PC	
14	375900	Conical grease nipple AS 8x1 DIN 71412	1	PC	
15	695202	Bellows	1	PC	
16A	368605	Breakaway cable with hooks 950 mm length for common commercial trailers	1	PC	
16B	209385	Breakaway cable 980 mm length Sweden	1	PC	
17A	695412	Hand brake lever incl. brake away cable	1	PC	
17B	695743	Hand brake lever incl. brake away cable	1	PC	
17C	1352389	Hand brake lever incl. brake away cable	1	PC	

Overrun device V 161S - housing variants (ETK0115-1)

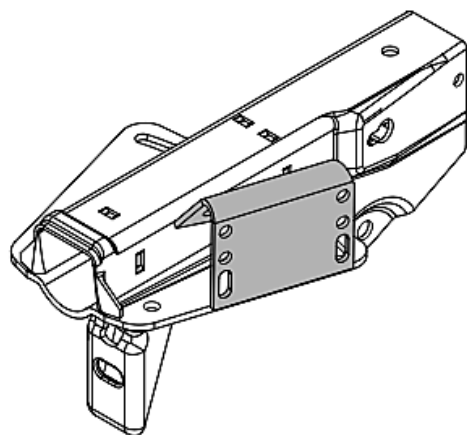
1A



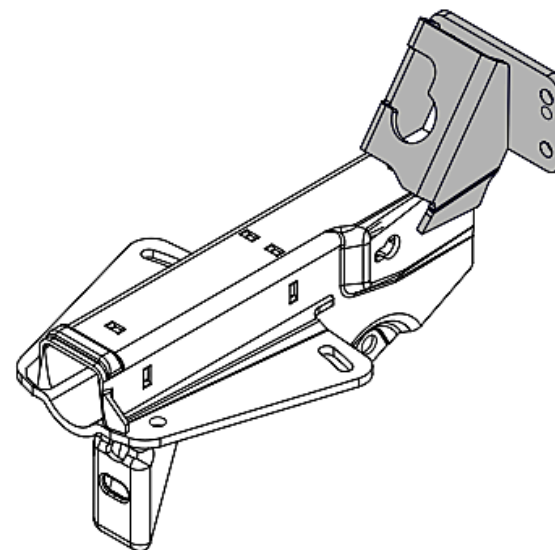
1C



1B



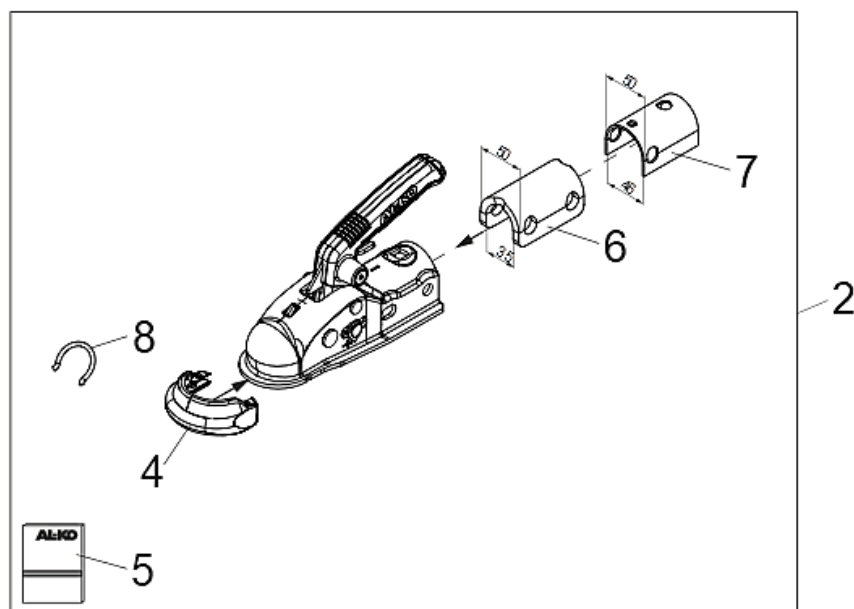
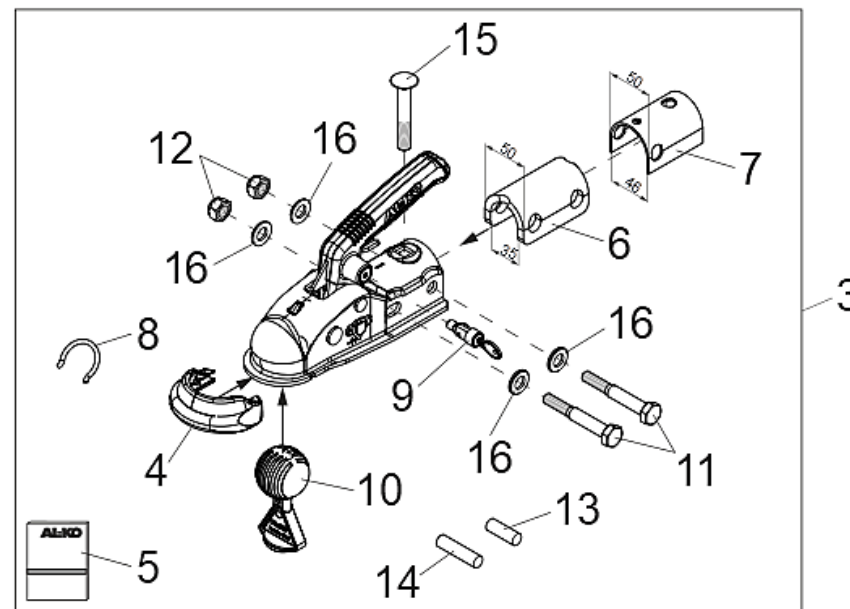
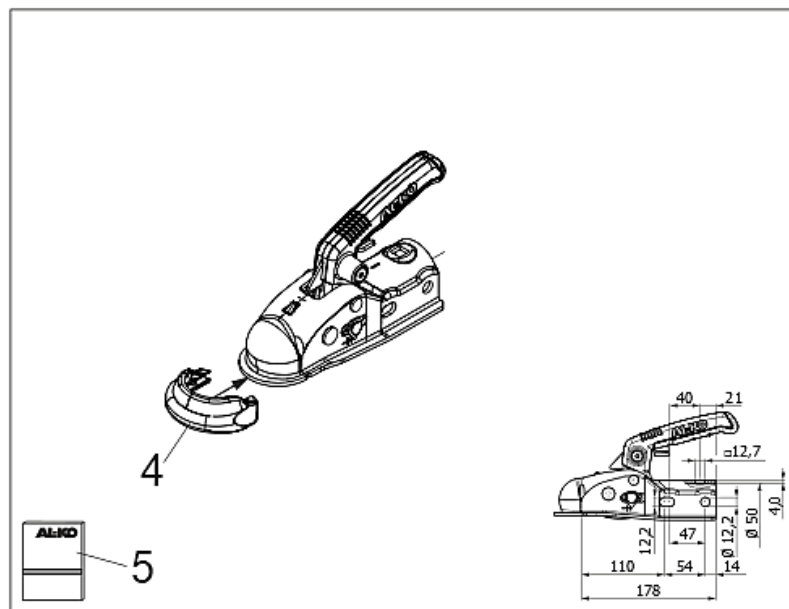
1D



Overrun device V 161S - housing variants (ETK0115-1)

Item no.	Article no.	Description	Quantity	Unit
1A	ETK0056	Housing without clamp	1	PC
1B	ETK0010	Housing with support wheel flange	1	PC
1C	ETK0059	Housing with clamps lower part	1	PC
1D	ETK0061	Housing with raised support wheel flange	1	PC

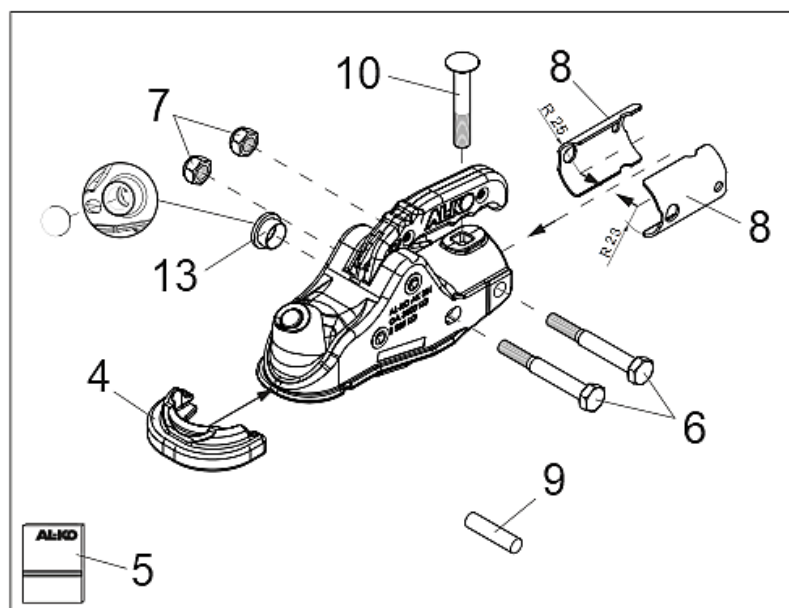
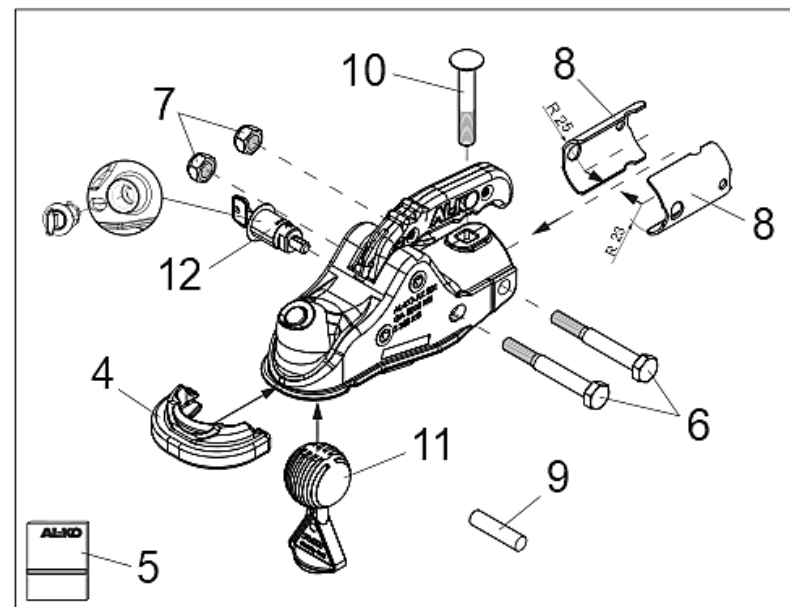
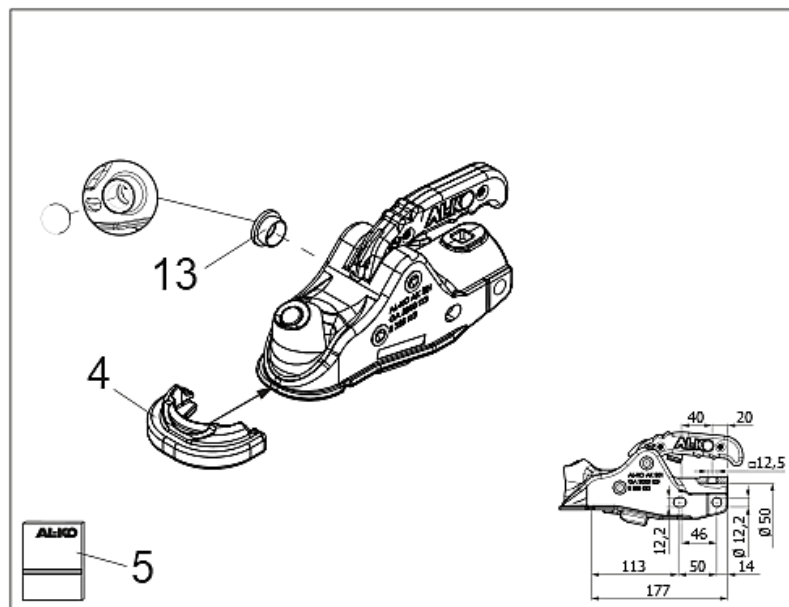
Coupling head AK 161 with accessories (ETK0117-1)



Coupling head AK 161 with accessories (ETK0117-1)

Item no.	Article no.	Description	Quantity	Unit	Remark
1	1730219	Coupling head AK 161 with Soft-Dock	1	PC	
2	1730218	Coupling head AK 161 with mounting parts und Soft-Dock	1	PC	
3	1730220	Coupling head AK 161 with mounting parts + SAFETY-Kit	1	PC	
4	693394	Soft-Dock black	1	PC	
5	694076	User manual coupling head AK 161 and AK 270	1	PC	
6	690841	Distance bracket Ø35/50	1	PC	
7	372462	Distance bracket Ø45	1	PC	
8	695644	Retaining spring	1	PC	
9	1730411	Locking cylinder Plus with Safety-Ball	1	PC	
10	1225678	Safety Ball	1	PC	
11	705422	Hexagon screw M12x80 DIN 931 8.8	1	PC	Old material number: 02.5021.89.82
12	705526	hexnut M12 DIN 985-10	1	PC	For safety reasons: Self locking nuts and screws with chemical self locking must be used once. After untighten always use a new part.
13	584883	Mounting bolt 34 mm	1	PC	
14	584884	Mounting bolt 48 mm	1	PC	
15	603392	Flat round screw M12x75 at drawing	1	PC	
16	705397	Washer A 13 DIN 125-ST	1	PC	

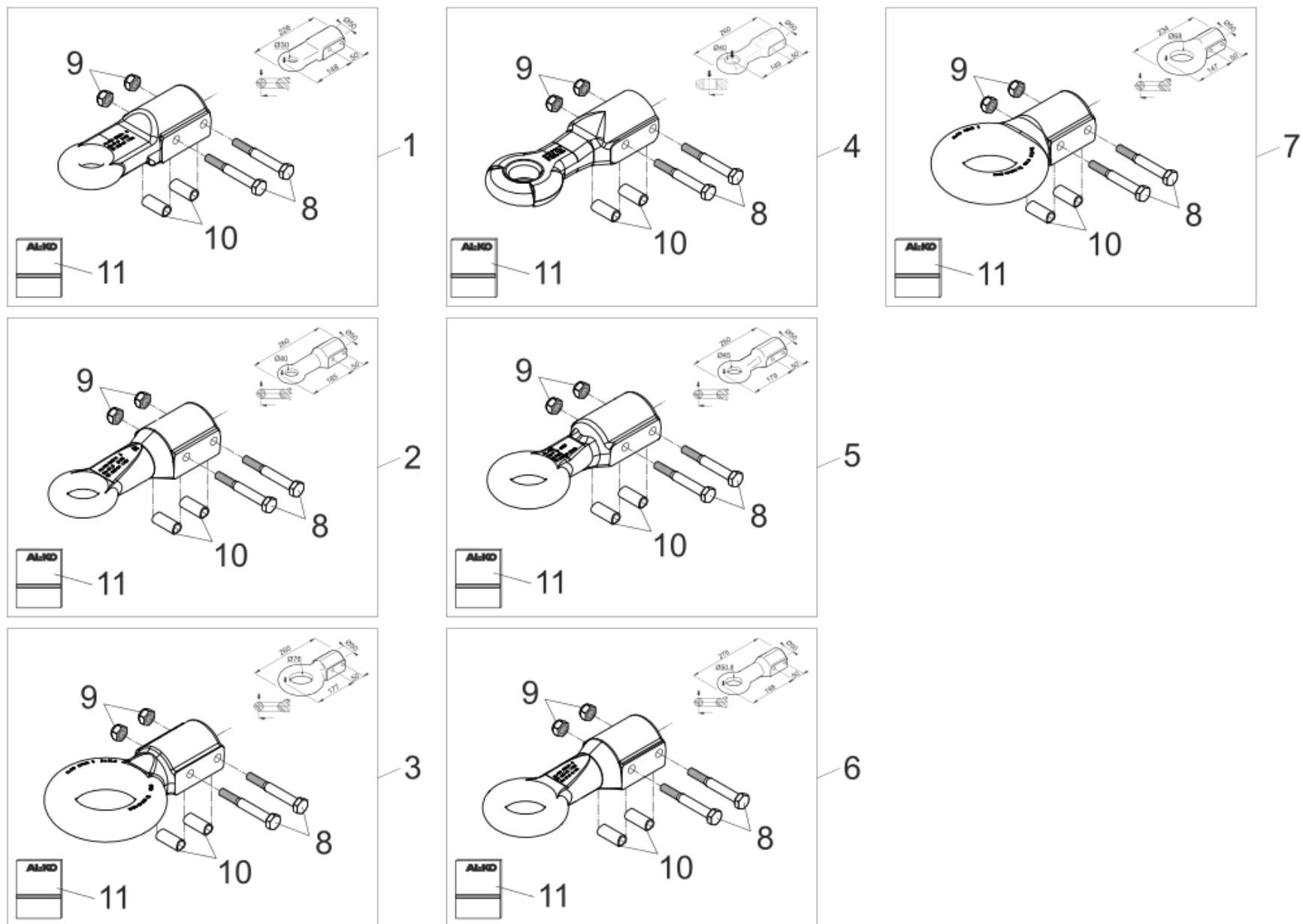
Coupling head AK 301 with accessories (ETK0117-3)



Coupling head AK 301 with accessories (ETK0117-3)

Item no.	Article no.	Description	Quantity	Unit	Remark
1	1221746	Coupling head AK 301 PROFI	1	PC	
2	1223715	Coupling head AK 301 PROFI with mounting parts, Soft-Dock	1	PC	
3	1223427	Coupling head head AK301 with mounting parts + SAFETY-Kit	1	PC	
4	691937	Soft-dock AK301/351	1	PC	
5	1361617	User manual coupling head AK 301 and AK 351	1	PC	
6	705434	Hexagon screw M12x90 DIN 931 8.8	1	PC	Old material number: 02.5021.80.82
7	705526	hexnut M12 DIN 985-10	1	PC	For safety reasons: Self locking nuts and screws with chemical self locking must be used once. After untighten always use a new part.
8	692319	Distance bracke Ø45	1	PC	
9	584884	Mounting bolt 48 mm	1	PC	
10	603392	Flat round screw M12x75 at drawing	1	PC	
11	1225678	Safety Ball	1	PC	
12	1222692	Plus lock barrel with Safety-Ball	1	PC	
13	589706	Seal plug black	1	PC	

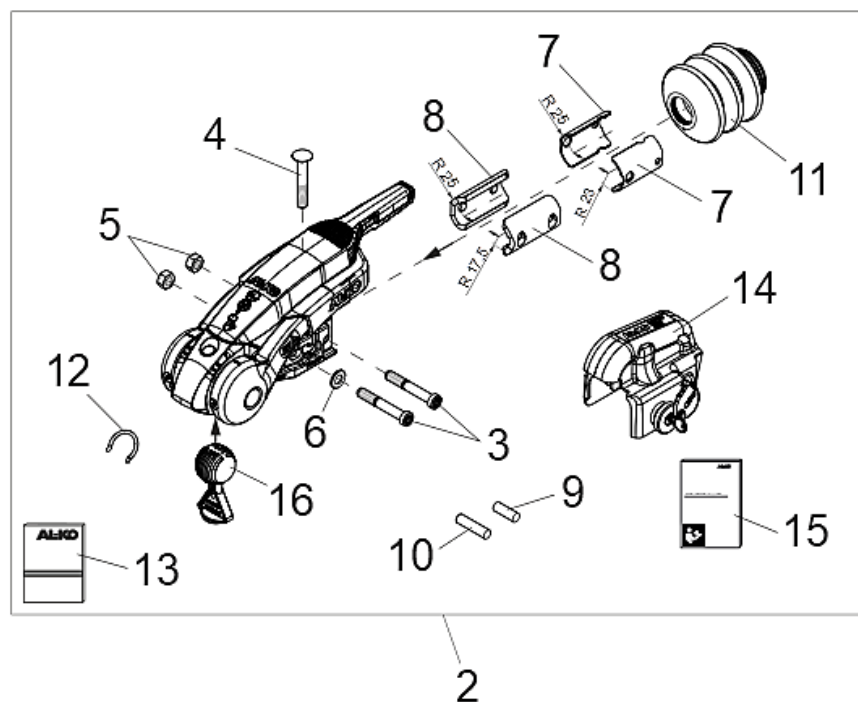
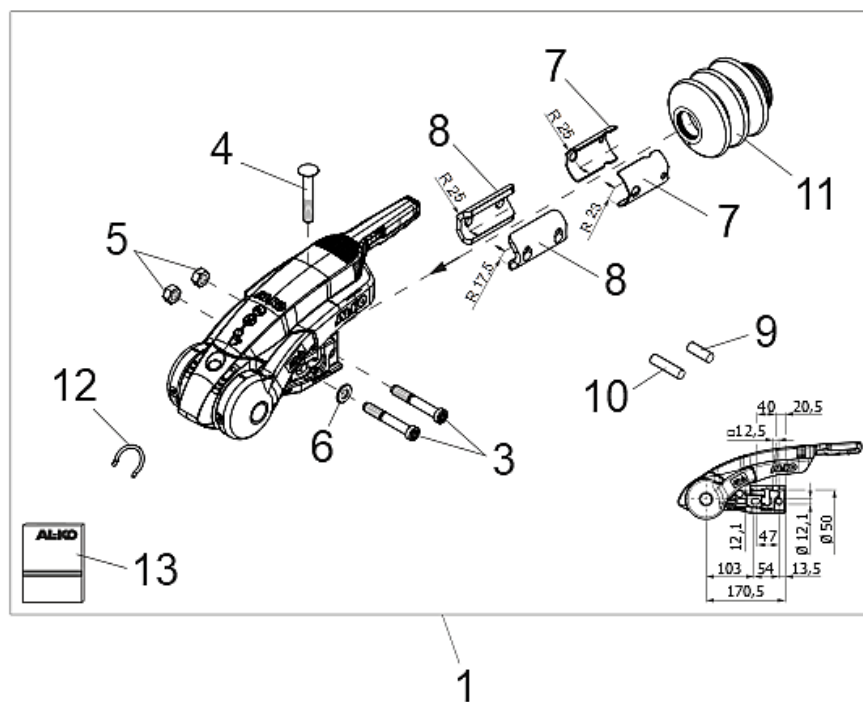
Drawbar eyes push-on connection Ø 50 mm with accessories (ETK0118-2)



Drawbar eyes push-on connection Ø 50 mm with accessories (ETK0118-2)

Item no.	Article no.	Description	Quantity	Unit	Remark
1	1224106	Drawbar eye England Ø30 with fixing bolts version A	1	PC	
2	1224107	Drawbar eye England E40/A (Ø40/Ø50) with fixing bolts version A	1	PC	
3	1224111	Drawbar eye NATO Ø76 with fixing bolts version E	1	PC	
4	1213350	Drawbar eye Ø40 with fixing bolts version F	1	PC	
5	1224108	Drawbar eye Italy Ø45 with fixing bolts version F	1	PC	
6	1224109	Drawbar eye England E50/A (Ø50,8/Ø50) with fixing bolts version A	1	PC	
7	1224110	Drawbar eye France Ø68 with fixing bolts version E	1	PC	
8	706080	Hexagon screw M12x90 DIN 931 10.9	1	PC	
9	705526	hexnut M12 DIN 985-10	1	PC	For safety reasons: Self locking nuts and screws with chemical self locking must be used once. After untighten always use a new part.
10	647923	Distance bush	1	PC	
11	1365359	Assembly instruction drawbar eye push-on connection 50mm	1	PC	

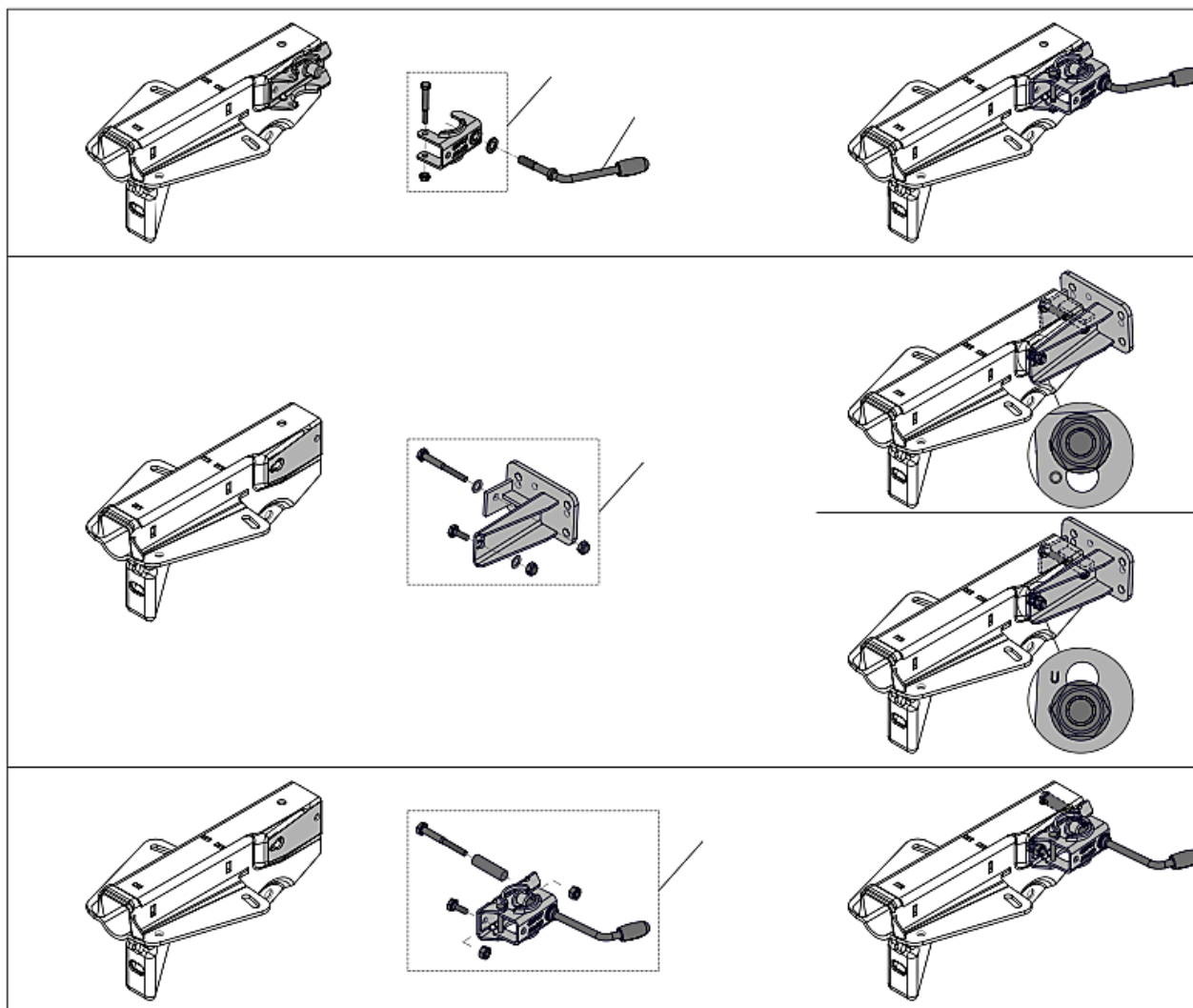
Stabiliser AKS3004 with accessories (ETK0119-1)



Stabiliser AKS3004 with accessories (ETK0119-1)

Item no.	Article no.	Description	Quantity	Unit	Remark
1	1225158	Stabiliser AKS3004 with Montageteile	1	PC	
2	1225155	Stabiliser AKS3004 three pack	1	PC	
3	692034	Bolt M12X78 at drawing	1	PC	Old material number: 02.5037.90.82
4	603392	Flat round screw M12x75 at drawing	1	PC	
5	706437	Self locking nut BIW M12	1	PC	
6	705397	Washer A 13 DIN 125-ST	1	PC	
7	692319	Distance bracke Ø45	1	PC	
8	692318	Distance brackeØ35	1	PC	
9	584883	Mounting bolt 34 mm	1	PC	
10	584884	Mounting bolt 48 mm	1	PC	
11	607133	Bellows SAFETY-packed	1	PC	
12	695644	Retaining spring	1	PC	
13	1367804	User manual stabiliser AKS 3004 und AKS 3504	1	PC	
14	690332	AL-KO Safety Compact	1	PC	
15	605364	Instruction manual AL-KO Safety Compact	1	PC	
16	1225678	Safety Ball	1	PC	

Overrun device V 161S - mounting variants for jockey wheel or clampbracket (ETK0116-1)



Overrun device V 161S - mounting variants for jockey wheel or clampbracket (ETK0116-1)

Item no.	Article no.	Description	Quantity	Unit	Remark
1A	ETK0056	Housing without clamp	1	PC	
1C	ETK0059	Housing with clamps lower part	1	PC	
2	354243	Assembly group clamp	1	PC	
3	20531703	Jockey wheel clamp handle - short	1	PC	Square-design
4	249127	Support wheel holder, center attachment, load capacity 300 kg	1	PC	Retrofit kit can optionally be attached top mounting or bottom mounting
5	293020	Retrofit kit, clamp, load capacity 150 kg	1	PC	Retrofit kit can optionally be attached