

LED Worklamp & Power Bank (MP4056)

USER GUIDE



IMPORTANT SAFETY INSTRUCTIONS

- Fully charge the device before first use.
- Do not use the lamp in the immediate vicinity of inflammable materials or gases.
- Do not cover the lamp whilst in use.
- Only ever use this product in conjunction with the accessories supplied.
- This product is not to be used by children unsupervised.
- Refrain from directing the output of the lamp directly into your eyes
- Thoroughly inspect the device and its accessories prior to each use. If any component is damaged, the product should not be used.

COMPONENTS



This box contains:

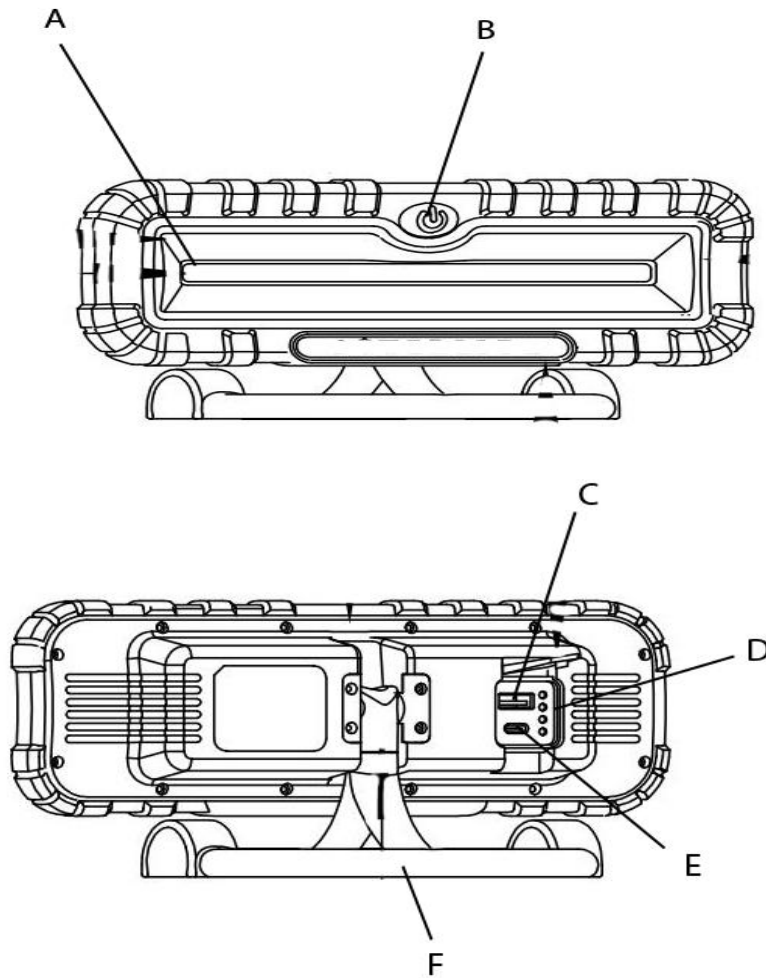
1 x 500 lumen Worklamp

1 x USB charging cable

CHARGING

- Connect the micro USB plug directly into the rear of the lamp (E)
- Connect the Type A USB into a charging port
- The battery charging status can be confirmed by the illumination of four green LED status lights on the rear face of the lamp (D). Once all four LEDs are permanently illuminated the charge process is complete.
- Fully charge the device at least once every three months to ensure the condition of the battery is maintained.

OPERATION



- A. 5W COB 500 Lumen Light
- B. Power Button
- C. 5V/ 2A USB Output

- D. Battery charge level indicator
- E. 5V/2A USB input
- F. Magnetic bracket

Power Button

- Single press – LED will illuminate at 50% brightness
- Second press - LED will illuminate at 100% brightness
- Third Press – Off

TECHNICAL SPECIFICATIONS

Part No	MP4056
LED	5W COB Lamp
CRI	70
Lumens	500 Lumens (high) 250 Lumens (Low)
Battery	3.7V 2,600mAh 9.62Wh
Charging period	Approx 2-3hrs
Usage period	Approx 7hrs (low) Approx 4 hrs (high)
Charging input	5V DC2A
Colour Temperature	6,500K
IP Rating	IP54

ENVIRONMENTAL PROTECTION



Waste electrical products should not be disposed of with household waste. Please recycle where facilities exist. Check with your local authority or retailer for recycling advice.

Declaration

2014/30/EU EMC Directive

EN55014-1:2021
EN55014-2:2021
EN55015:2019+A11:2020
EN61547:2023

2012/19/EU WEE Directive

2011/65/EU + 2015/863/EU RoHS Directive

A handwritten signature in black ink, appearing to read 'S. Cole'.

Technical Manager, Maypole Ltd, January 2026

Email: sales@maypoleltd.co.uk

Web: www.maypoleltd.com